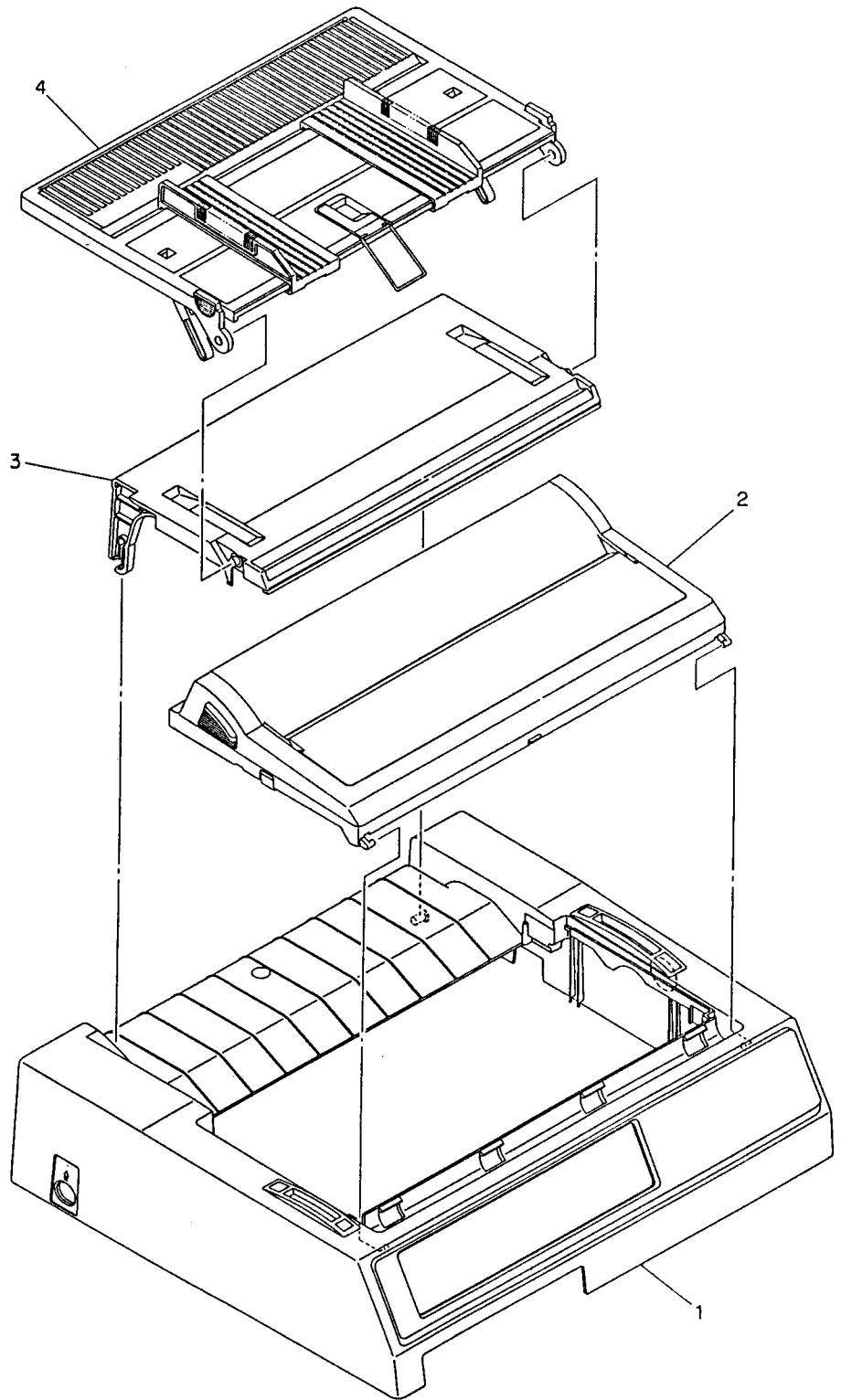
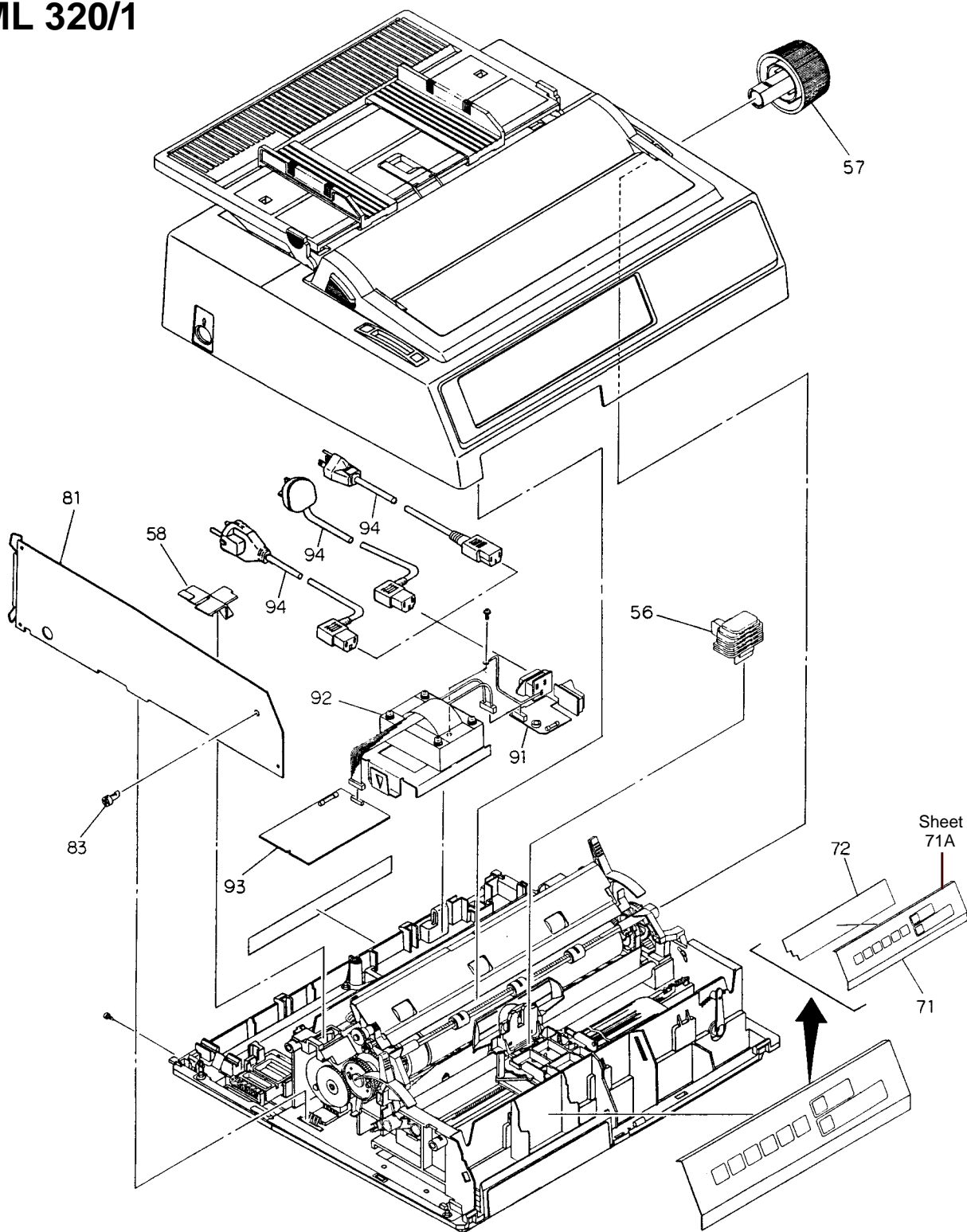


# ML 320/1



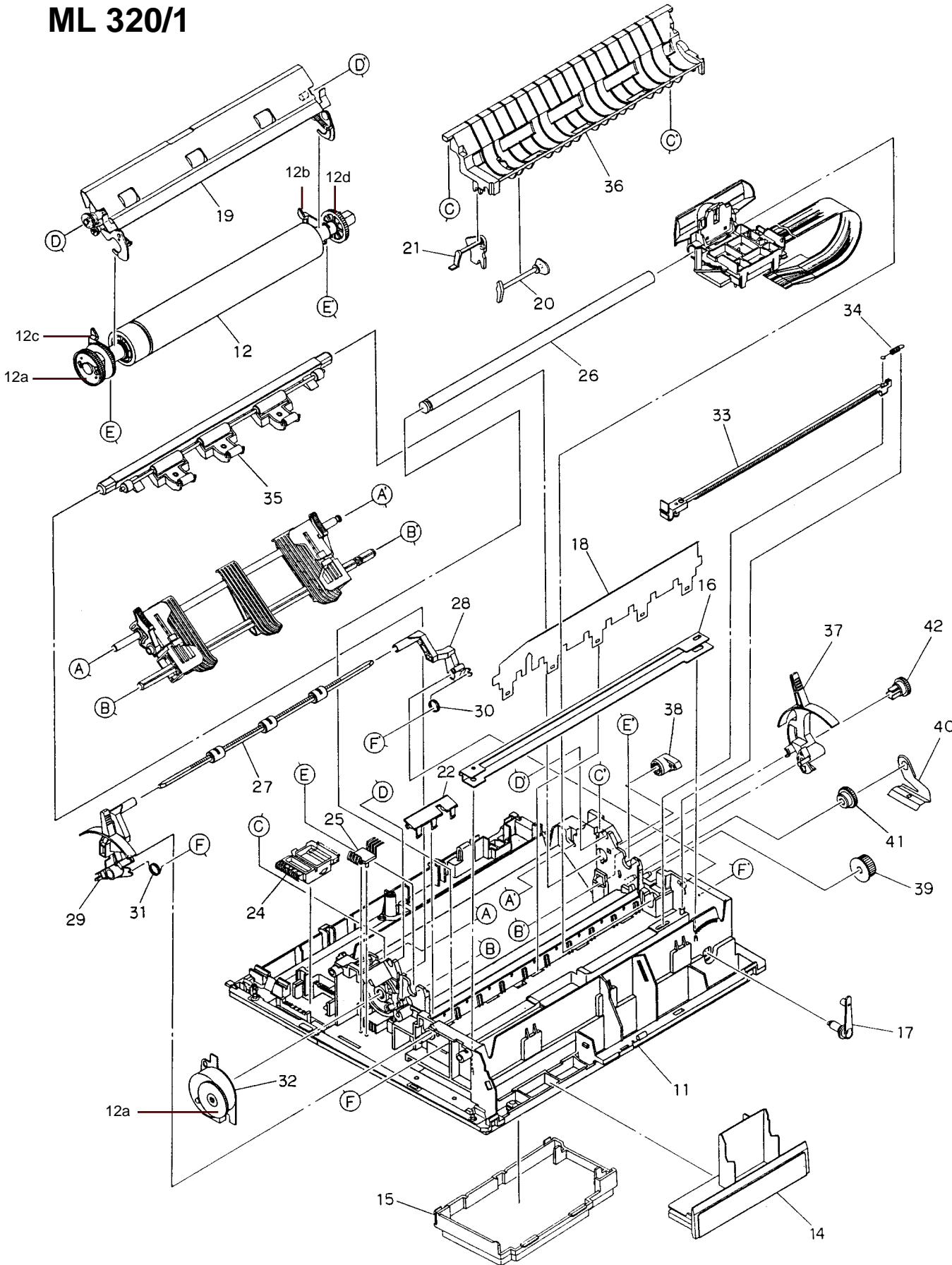
Printer unit (1/5)

# ML 320/1



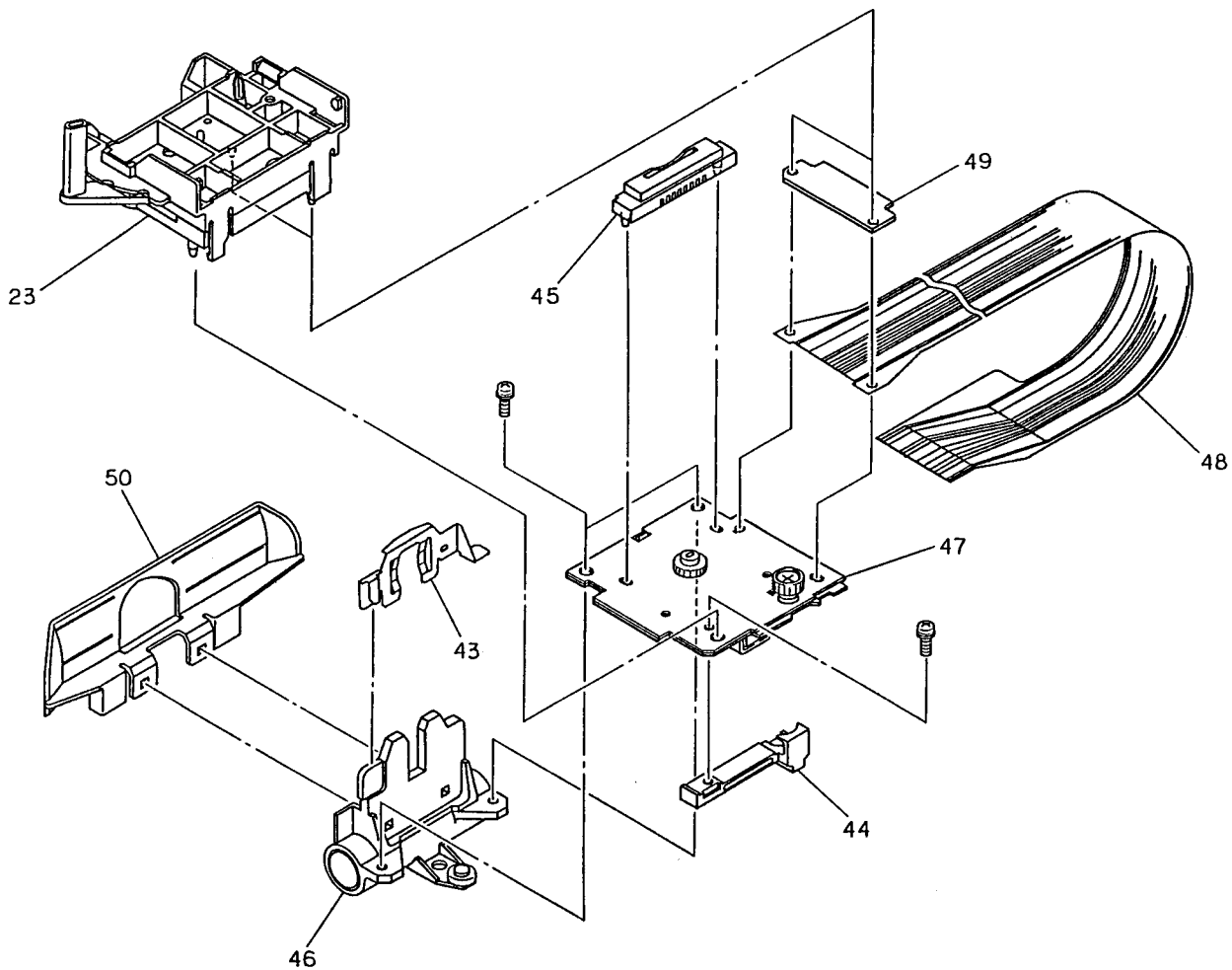
**Printer unit (2/5)**  
Earlier Version

# ML 320/1



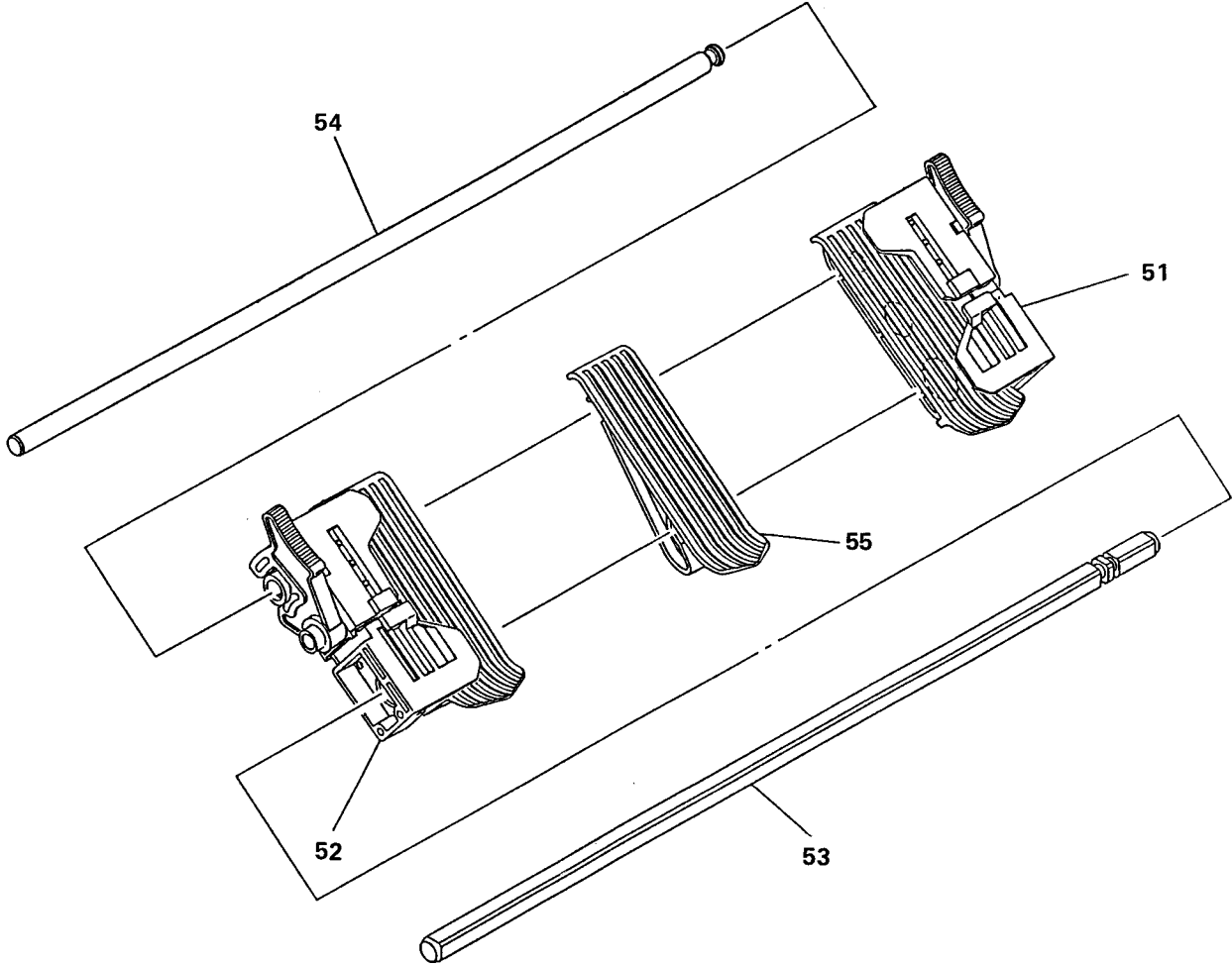
Printer unit (3/5)

# ML 320/1



Printer unit (4/5)

# ML 320/1



Printer unit (5/5)

# ML 320/1

## Spare parts list (1/5)

No.	Item No.	Item name	Q'ty	Q'ty of spare parts/year		Remarks/ODA	P/N
				500			
	(Cover parts)						
1	1PP4016-6557P2	Middle cover	1	3	320 (ODA)	53488302	
	1PP4016-6558P2	Middle cover	1	3	321 (ODA)	53488402	
	1PP4016-6557P5	Middle cover	1	3	320 (ODG)		
	1PP4016-6558P5	Middle cover	1	3	321 (ODG)		
2	2PA4016-6559G1	Access cover assembly	1	3	320	50060701	
	2PA4016-6560G1	Access cover assembly	1	3	321	50060801	
3	1PP4016-6567P1	Rear cover frame	1	3	320	53488501	
	1PP4016-6568P1	Rear cover frame	1	3	321	53488601	
4	1PA4016-6569G1	Sheet separator assembly	1	3	320	50060901	
	1PA4016-6570G1	Sheet separator assembly	1	3	321	50061001	
5	2PP4016-6865G1	Acoustic cover (Tractor)	1	3	320 option	53493201	
	2PP4016-6866G1	Acoustic cover (Tractor)	1	3	321 option	53494201	
6	2PP4016-6867G1	Acoustic cover (CSF)	1	3	320 option	53494301	
	2PP4016-6868G1	Acoustic cover (CSF)	1	3	321 option	53494401	
	(Printer mechanism)						
11	3PA4025-2802G1	Main frame assembly	1	3	320	50061101	
	3PA4025-2902G1	Main frame assembly	1	3	321	50061201	
12	3PA4025-2811G1	Platen assembly	1	3	320	50061301	
	3PA4025-2811G2	Platen assembly	1	3	321	50061302	
12A/B/C/D	See Addendum						
14	2PP4025-2952P1	Support panel A	1	1		53494901	
15	3PA4025-2806G1	Board supporting cover assembly	1	3		50062301	
16	3PP4025-2809P1	Guide rail	1	1	320	51002101	
	3PP4025-2809P2	Guide rail	1	1	321	51002102	
17	4PP4025-2810P1	Adjusting cam	1	1		51216201	

# ML 320/1

## Spare parts list (2/5)

No.	Item No.	Item name	Q'ty	Q'ty of spare parts/year	Remarks/ODA	P/N
				500		
18	3PP4025-2819P1	Leaf spring	1	3	320	50911501
	3PP4025-3179P1	Leaf spring	1	3	321	50911601
19	3PA4025-2963G1	Ruler guide	1	3	320	53488701
	3PA4025-2978G1	Ruler guide	1	3	321	53488801
20	3PP4025-2825P1	Paper end lever (B)	1	3	320	53488901
	3PP4025-2825P2	Paper end lever (B)	1	3	321	53488902
21	3PP4025-2826P1	Sensor lever	1	3		53489001
22	3PP4025-2827P1	Sensor cover	1	3		53489101
23	4PA4025-295561	Ribbon drive gear assembly	1	3		50063701
24	3PB4025-2911P1	Power contact old type	1	3		53328301
25	4PB4025-3180P1	Power Cord NEW VERSION				
	3PP4025-2874P1	LF motor inter-connect module	1	3		53328401
26	4PP4025-2837P1	Carriage shaft	1	3	320	51109401
	4PP4025-2837P2	Carriage shaft	1	3	321	51109402
27	4PA4025-2838G1	Indicator assembly	1	3	320	50061501
	4PA4025-2838G2	Indicator assembly	1	3	321	50061502
28	2PP4025-2840P1	Bail arm (R)	1	3		53489201
29	3PP4025-2841P1	Bail arm (L)	1	3		53489301
30	4PB4025-2842P1	Bail arm spring (R)	1	5		50911701
31	4PB4025-2843P1	Bail arm spring (L)	1	5		50911801
32	3PB4025-2844P3	LF motor	1	5		56507001
33	3PP4025-2845P1	Space rack	1	5	320	53489401
	3PP4025-2845P2	Space rack	1	5	321	53489402
34	4PB4025-2873P1	Tension spring	1	3		50911901
35	3PA4025-2846G1	Pressure roller assembly	1	3	320	50061601
	3PA4025-2908G1	Pressure roller assembly	1	3	321	50061701

# ML 320/1

## Spare parts list (3/5)

No.	Item No.	Item name	Q'ty	Q'ty of spare parts/year		Remarks/ODA	P/N
				500			
36	3PA4025-2853G1	Paper chute assembly	1		3	320	50061801
	3PA4025-2915G1	Paper chute assembly	1		3	321	50061901
37	3PP4025-2852P1	Release lever	1		3		53489501
38	4PP4025-2881P1	Release link	1		3		53489601
39	4PP4025-2866P1	Change gear	1		3		51215901
40	4PP4025-2867P1	Reset spring	1		3		50912001
41	4PP4025-2868P1	Idler gear	1		3		51216001
42	4PP4025-2869P1	Tractor gear	1		3		51216101
43	4PP4025-1048P1	Head clamp	1		3		50702901
44	4PB4025-1088P1	Slider	1		5		51001801
45	3PB4025-1116P1	Connector	1		3		56718601
46	4PB4025-2829G1	Carriage frame set	1		3		53490401
47	4YX4025-1800G2	Space motor assembly	1		5		56507202
48	2PU4007-1096P1	Flexible cable	1		10	320	
	2PU4007-1096P2	Flexible cable	1		10	321	56616302
49	4PP4025-2960P1	Contact pressure rubber	1		3		51706501
50	3PP4025-2836P1	Ribbon protector	1		5		53056201
51	4PA4025-2855G1	Tractor frame assembly (R)	1		3		50062001
52	4PA4025-2861G1	Tractor frame assembly (L)	1		3		50062101
53	4PP4025-2864P1	Drive shaft	1		1	320	51109501
	4PP4025-2864P2	Drive shaft	1		1	321	51109502
54	4PP4025-2831P1	Lock shaft	1		1	320	51109601
	4PP4025-2831P2	Lock shaft	1		1	321	51109602
55	3PP4025-2927P1	Sheet guide	1		3		51002201



# ML 320/1

## Spare parts list (4/5)

No.	Item No.	Item name	Q'ty	Q'ty of spare parts/year	Remarks/ODA	P/N
				500		
56	4YA4025-1401G2	Printhead	1	9		50063802
57	3PP4025-2871P1	Platen knob	1	5		51901101
58	3PP4025-2896P1	Board lock	1	3		
59	3PA4025-2971G1	Tractor unit (N)	1	3	320 option	
	3PA4025-2971G2	Tractor unit (W>	1	3	321 option	
71	3PP4025-3114G3	Operator panel	1	3		53490101
71a	3PB4025-2953P1	Operator Panel Sheet Only				
72	4YA4021-1048G2	LXSP-2 printed circuit board	1	3		55038602
81	4YA4021-1051G106	LXMC-printed circuit board	1	3	ODA, 3201321 For maintenance (without ROMS)	55041411
	4YA4021-1051G204	LXMC-printed circuit board	1	3	DDG, 3201321 For maintenance (without ROMS, 28 pins IC socket)	
	4YA4021-1051G205	LXMC-printed circuit board	1	3	DDG, 3201321 (without ROMS, 32 pins IC socket)	
82	4YA4021-1050G002	LXHI-printed circuit board (RS-232C)	1	3	Option (ODA)	55038901
	4YA4021-1050G003	LXHI-printed circuit board (RS-232C)	1	3	Option (ODG)	
83	4PP4025-2870P1	Lock post	1	3		

# ML 320/1

## Spare parts list (5/5)

(For PCB version No. 8 and after)

No.	Item No.	Item name	Q'ty	Q'ty of spare parts/year	Remarks/ODA	P/N
				500		
	(Power supply assembly)					
91	4YX4056-3477G3	Filter assembly	1	3	120v	55503103
	4YX4056-3477G4	Filter assembly	1	3	220/240V	55503104
92	4YB4056-8293P1	Transformer	1	3	320 120V	56407501
	4YB4056-8349P1	Transformer	1	3	320 220/240V	56407401
	4YB4056-8293P2	Transformer	1	3	321 120V	56407502
	4YB4056-8349P2	Transformer	1	3	321 220f240V	56407402
93	3YU5057-3311G2	SUII-2 printed circuit board	1	3	320/321 only	
	3YU5057-3311G6	SUII-6 printed circuit board	1	3	320/321 220/240V only	
94	3YS4011-1026P1	AC cable	1	1	120v	56609701
	3YS4011-1052P1	AC cable	1	1	220v	56610801
	3YS4011-1192P1	AC cable	1	1	Continental 240V	56615301
	3YS4011-1103P1	AC cable	1	1	British 240V Oceanian	
95	3PP4025-3161P1	Support spring	1	3	321	
96	4YS4011-4311P2	(Connector cord)	1	1		
91'	4YB4049-1457P4	Filter board	1	3	220/240V	
92'	4YB4049-7009P1	Transformer	1	3	320- 220/240V	
	4YB4049-7009P2	Transformer	1	3	321- 220/240V	
93'	4YB4049-1458P3	DC PSU board without connector	1	3	3201321	Only Europe
	4YB4049-1458P7	DC PSU board with connector	1	3	320/321	OKI-UK)
94'	3YS4011-1172P1	AC cable	1	1	220v	
	3YS4011-1173P1	AC cable	1	1	Continental 240V British	

# ML 320/1

## Spare Parts Addendum

No	Item No	Item Name	QTY	Remarks
12a	09400310	Gear Kit 300 ( Two gears)	1	
12b	4PA4025-2813G1	Platen Collar L	1	
12c	4PA4025-2814P1	Platen Collar R	1	