

ML 3320/1

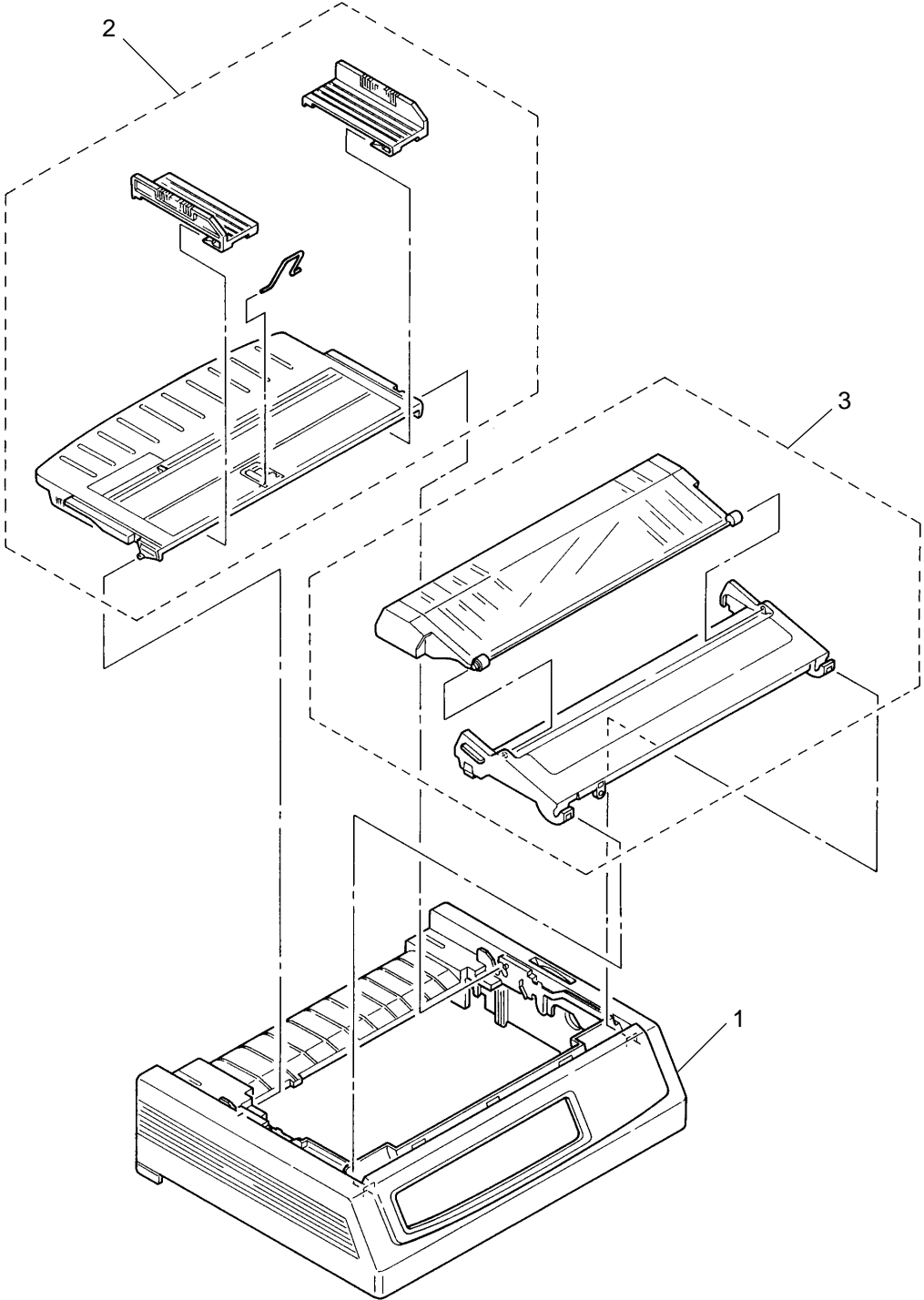


Figure 11-1 Upper Cover Assy

ML 3320/1

Figure 11-1 Upper Cover Assy

No.	Part No.	Description	Q'ty	Q'ty Required	Remarks	
1	1PP4128-1186P6	Upper cover (N)	1	2	For ML3320	For INT
	1PP4128-1186P4	Upper cover (N)	1	2	For ML3320	For OEL
	1PP4128-1186P2	Upper cover (N)	1	2	For ML3320	For ODA
	1PP4128-1231P6	Upper cover (W)	1	2	For ML3321	For INT
	1PP4128-1231P4	Upper cover (W)	1	2	For ML3321	For OEL
	1PP4128-1231P2	Upper cover (W)	1	2	For ML3321	For ODA
2	1PA4094-7305G10	Sheet guide assy (N)	1	2	For ML3320	
	1PA4094-7308G11	Sheet guide assy (W)	1	2	For ML3321	
3	2PA4128-1237G1	Access cover assy (N)	1	2	For ML3320	
	2PA4128-1241G1	Access cover assy (W)	1	2	For ML3321	

ML 3320/1

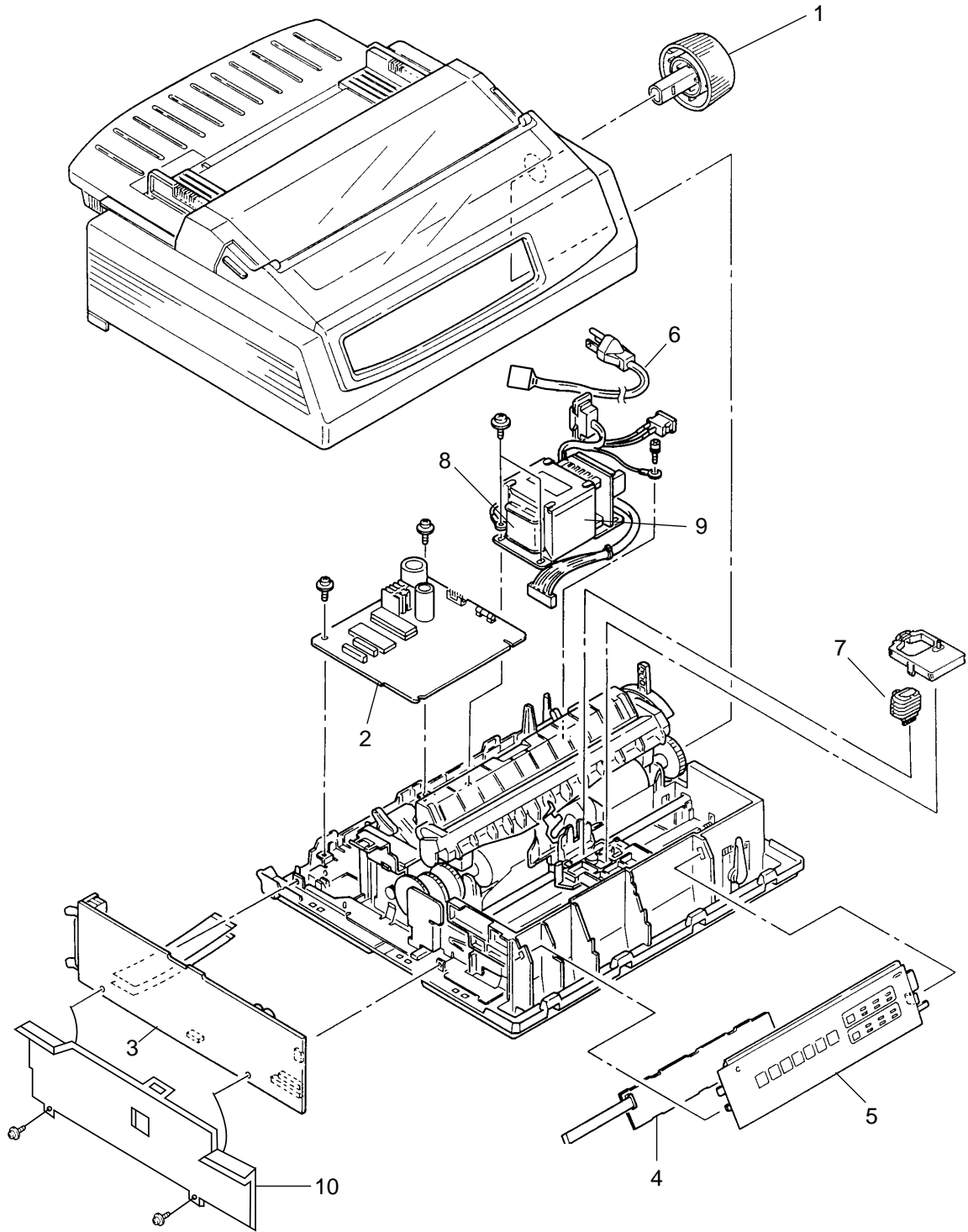


Figure 11-2 Printer General Assy

ML 3320/1

Figure 11-2 Printer General Assy

No.	Part No.	Description	Q'ty	Q'ty Required	Remarks	
1	2PP4025-2871P21	Platen Knob	1	1		
2	4YA4042-1543G301	Control/power supply board (SDCT)	1	9	For ODA	
	4YA4042-1543G302	Control/power supply board (SDCT)	1	9	For OEL	
	4YA4042-1543G303	Control/power supply board (SDCT)	1	9	For INT	
3	4YA4042-1549G1	Driver board (SDDV)	1	9	ROM	
4	4YA4042-1516G3	Operator panel board (LEOP-3)	1	3		
5	3PP4044-5360G1	Operation panel	1	2		
6	3YS4011-1315P1	AC cord	1	1	For ODA	
	3YS4011-1266P1	AC cord	1	1	For OEL	
	3YS4011-1329P2	AC cord A	1	1	For INT	
	3YS4011-1269P1	AC cord for 230V	1	1		
7	4YA4023-3301G1	Printhead (9)	1	10		
8	4YB4042-1553P1	Fuse 237002 (125V 2A)	1	10	For 120V	
	4YB4042-1552P1	Fuse 217001 (250V 1A)	1	10	For 230/240V	
9	4YB4049-7103P1	Transformer assy (ML320 Turbo 120V)	1	2		
	4YB4049-7104P1	Transformer assy (ML320 Turbo 230/240V)	1	2		
	4YB4049-7103P2	Transformer assy (ML321 Turbo 120V)	1	2		
	4YB4049-7104P2	Transformer assy (ML321 Turbo 230/240V)	1	2		
10	3PB4050-3429P2	PCB plate	1	2	For 230V	ODA, OEL

ML 3320/1

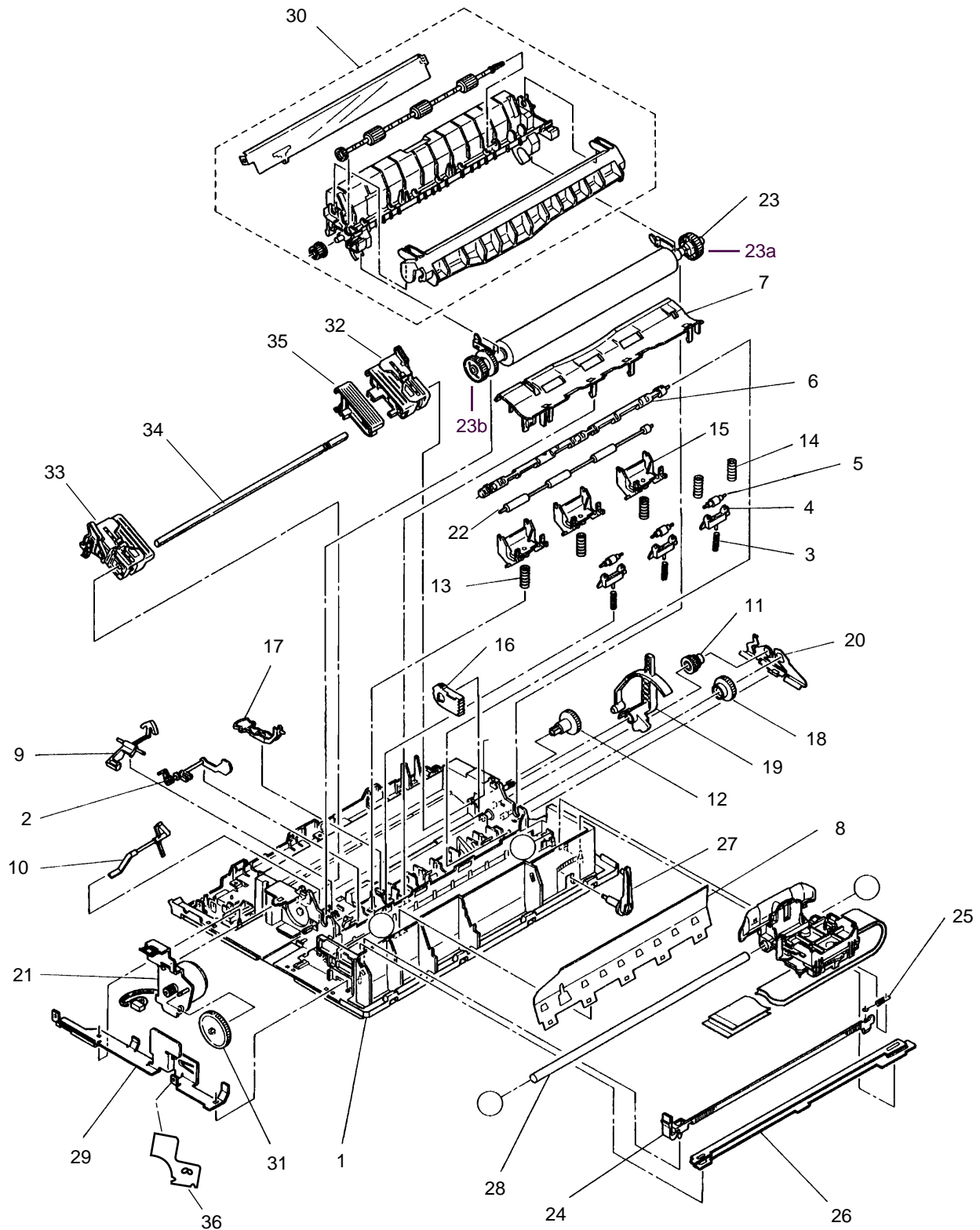


Figure 11-3 Printer Unit

ML 3320/1

Figure 11-3 Printer Unit

No.	Part No.	Description	Q'ty	Q'ty Required	Remarks
1	3PA4044-5002G2	Main chassis assy (N)	1	2	For ML3320
	3PA4044-5152G2	Main chassis assy (W)	1	2	For ML3321
2	3PP4044-5012P1	Bottom paper end lever	1	1	
3	4PP4044-5019P2	Pressure spring (F)	3	2	For ML3320
	4PP4044-5019P1	Pressure spring (F)	5	4	For ML3321
4	4PP4044-5031P2	Roller holder (F)	3	6	For ML3320
			5	8	For ML3321
5	4PA4025-3327G1	Front pressure roller	3	6	For ML3320
			5	8	For ML3321
6	3PP4044-5015P1	Release shaft (N)	1	2	For ML3320
	3PP4044-5157P1	Release shaft (W)	1	2	For ML3321
7	1PP4044-5021P1	Paper pan plate (N)	1	2	For ML3320
	1PP4044-5158P1	Paper pan plate (W)	1	2	For ML3321
8	3PP4025-3320P2	Leaf spring (N)	1	2	For ML3320
	3PP4025-3507P2	Leaf spring (W)	1	2	For ML3321
9	3PP4044-5011P1	Paper end lever	1	1	
10	3PP4044-5013P1	Sensor lever	1	1	
11	4PP4025-3340P1	Change gear	1	2	
12	3PP4025-3341P1	Tractor gear	1	2	
13	4PP4044-5020P1	Pressure spring (R)	3	2	For ML3320
			3	2	For ML3321
14	4PP4044-5163P1	Pressure spring (W)	2	1	For ML3321
15	3PP4044-5033P1	Roller holder (R)	3	6	For ML3320
			5	10	For ML3321
16	4PP4044-5017P1	Change arm lever	1	2	
17	3PP4044-5014P1	Switch lever	1	1	
18	4PP4044-5024P1	Idle gear (PLT)	1	2	
19	2PP4044-5016P1	Change lever	1	2	
20	3PP4044-5023P1	Reset spring D	1	2	
21	3PA4044-5110G1	LF motor assy	1	4	
22	3PP4044-5034P1	Rear pressure roller (N)	1	2	For ML3320
	3PP4044-5162P1	Rear pressure roller (W)	1	2	For ML3321

23a 3PP4044-5027P1 RH Platen gear

23b 3PA4025-3373G1 LH Platen Gear

ML 3320/1

No.	Part No.	Description	Q'ty	Q'ty Required	Remarks
23	3PA4044-5025G2	Platen assy (N)	1	3	For ML3320
	3PA4044-5159G2	Platen assy (W)	1	3	For ML3321
24	3PP4044-5010P1	Space rack gear (N)	1	3	For ML3320
	3PP4044-5156P1	Space rack gear (W)	1	3	For ML3321
25	4PB4025-3377P2	Tension spring for space rack	1	1	
26	3PP4044-5008P1	Guide rail plate (N)	1	1	For ML3320
	3PP4044-5155P1	Guide rail plate (W)	1	1	For ML3321
27	3PP4025-2810P2	Adjust cam	1	1	
28	4PP4044-5009P1	Carriage shaft	1	1	For ML3320
	4PP4044-5009P2	Carriage shaft	1	1	For ML3321
29	3PP4044-5005P1	FG plate (L)	1	1	
30	3PA4044-5050G1	Pull-up roller assy (N)	1	2	For ML3320
	3PA4044-5165G1	Pull-up roller assy (W)		2	For ML3321
31	40355101	Idle gear			
32	4PA4044-5041G2	Tractor frame assy (R)	1	2	
33	4PA4044-5043G2	Tractor frame assy (L)	1	2	
34	4PP4025-3335P3	Drive shaft	1	2	For ML3320
	4PP4025-3335P4	Drive shaft	1	2	For ML3321
35	3PP4044-5046P1	Tractor sheet guide	1	2	For ML3321
36	4PB4044-5095P1	FG plate (A)			

ML 3320/1

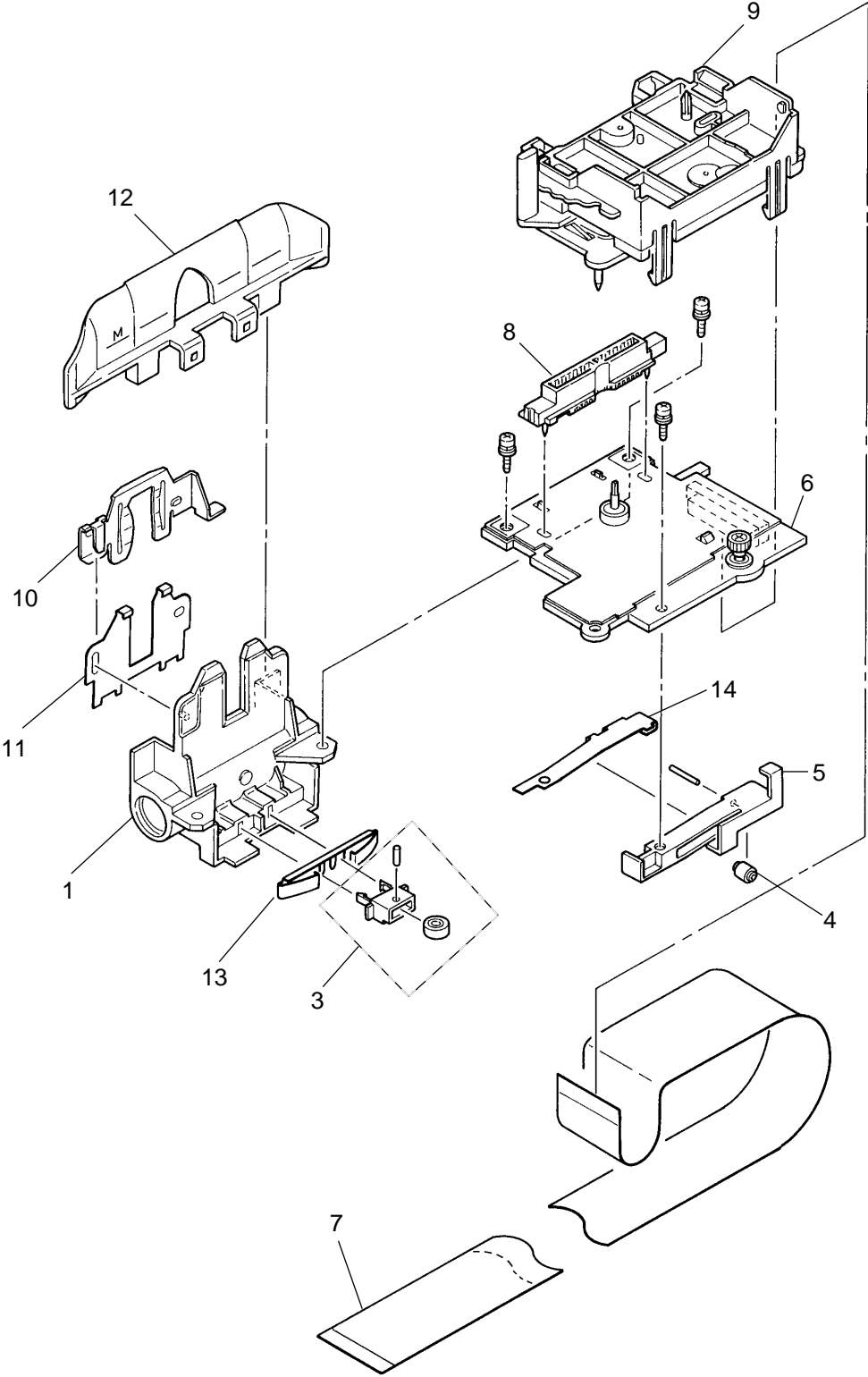


Figure 11-4 Carriage Assy

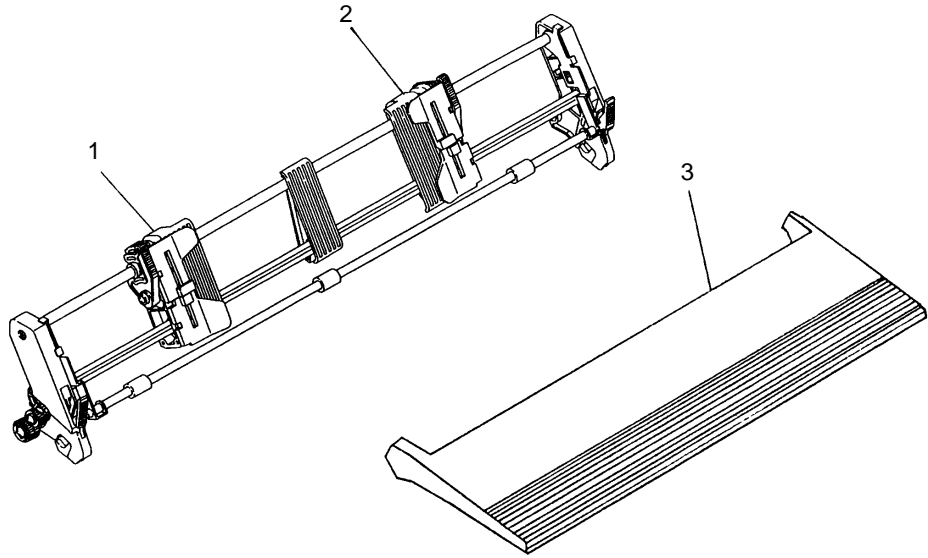
ML 3320/1

Figure 11-4 Carriage Option Assy

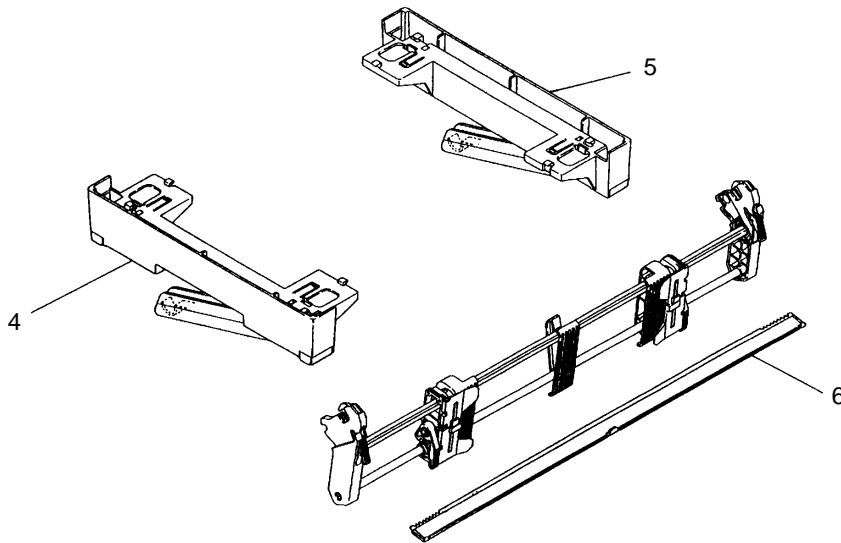
No.	Part No.	Description	Q'ty	Q'ty Required	Remarks
1	4PP4044-5061G1	Carriage frame set	1	2	
2	_____	_____	_____	_____	_____
3	4PA4025-3718G1	Back up roller holder assy	1	2	
4	4PP4025-3398P1	Guide roller	1	2	
5	3PP4044-5065P1	Guide roller holder	1	2	
6	4YA4044-5100G1	Space motor assy	1	4	
7	3PB4044-5506P1	Head cable (9N)	1	5	For ML3320
	3PB4044-5507P1	Head cable (9W)	1	5	For ML3321
8	3PB4044-5125P1	15-pin connector	1	2	
9	3PA4044-5070G1	Gear case assy	1	3	
10	3PP4044-5068P1	Head clamp	1	1	
11	4PP4044-5067P1	Head plate	1	1	
12	3PP4044-5064P1	Ribbon protector	1	2	
13	4PP4025-3397P1	Back up roller holder spring	1	1	
14	4PP4044-5066P1	Guide roller spring	1	1	

ML 3320/1

[Pull-Tractor]



[Bottom-Tractor]



[I/F Board]

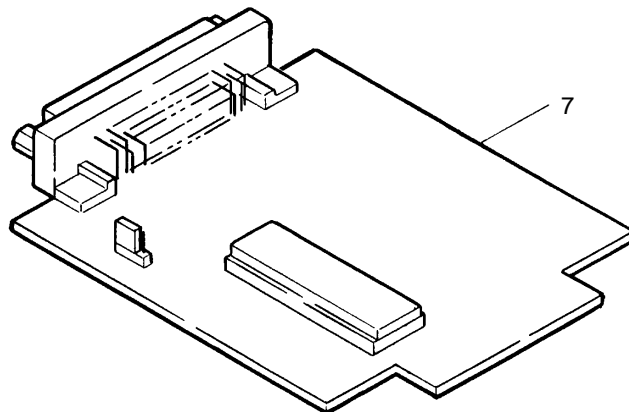


Figure 11-5 Option Spare Parts

ML 3320/1

Figure 11-5 Option Spare Parts

No.	Part No.	Description	Q'ty	Q'ty Required	Remarks
1	4PA4025-3608G1	Pull and bottom tractor assy (L)	1	2	
2	4PA4025-3603G1	Pull and bottom tractor assy (R)	1	2	
3	2PP4128-1239G1 2PP4128-1243G1	Tractor cover assy (N) Tractor cover assy (W)	1 1	3 3	For ML3320 For ML3321
4	1PA4128-1277G1	Bottom push stand (L)	1	2	
5	1PA4128-1277G2	Bottom push stand (R)	1	2	
6	4PP4094-7385G1 4PP4094-7386G1	Paper knife (N) Paper knife (W)	1 1	1 1	For ML3320 For ML3321
7	SIF300	LXHI-PCB (RS232 I/F)	1	3	