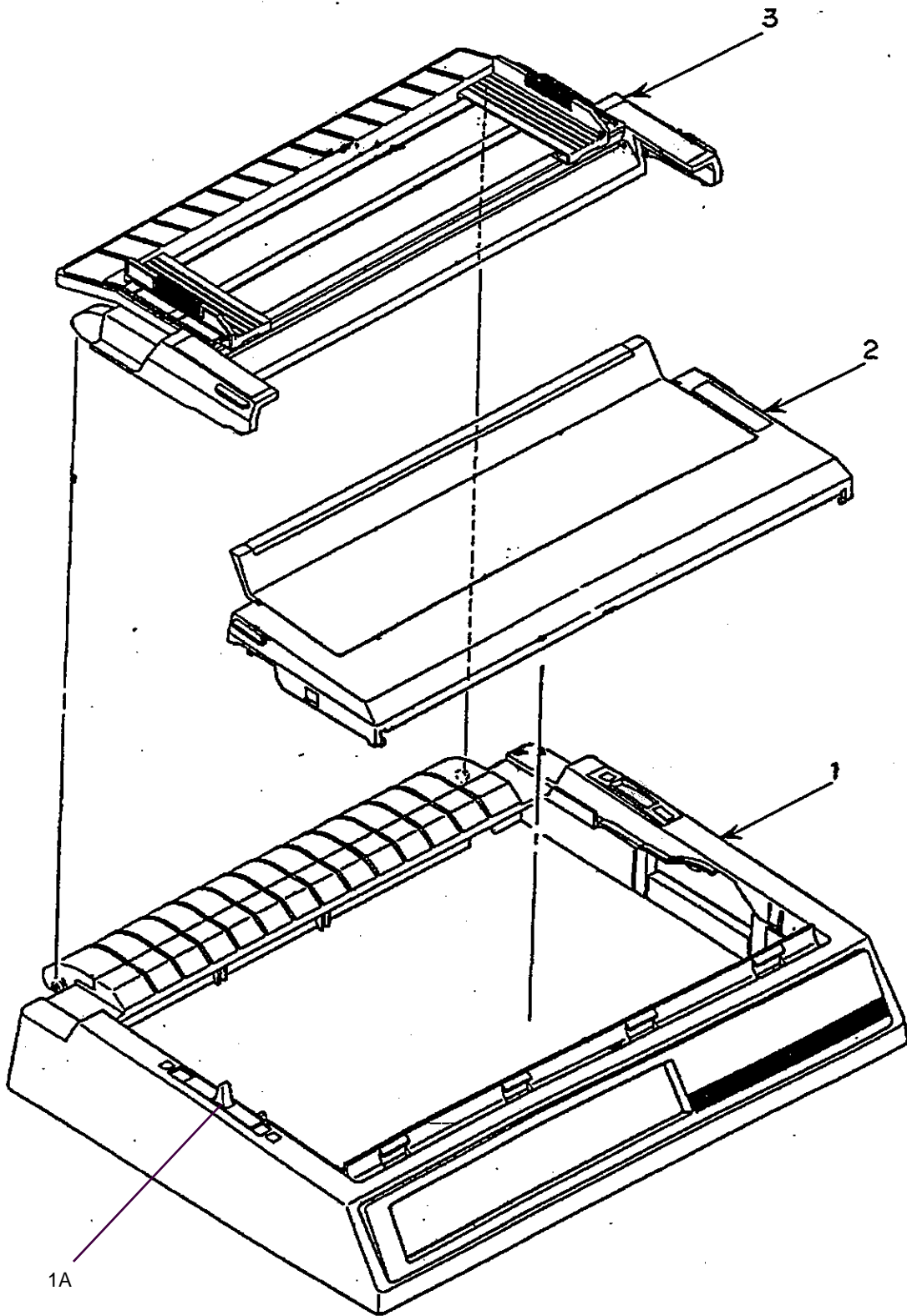
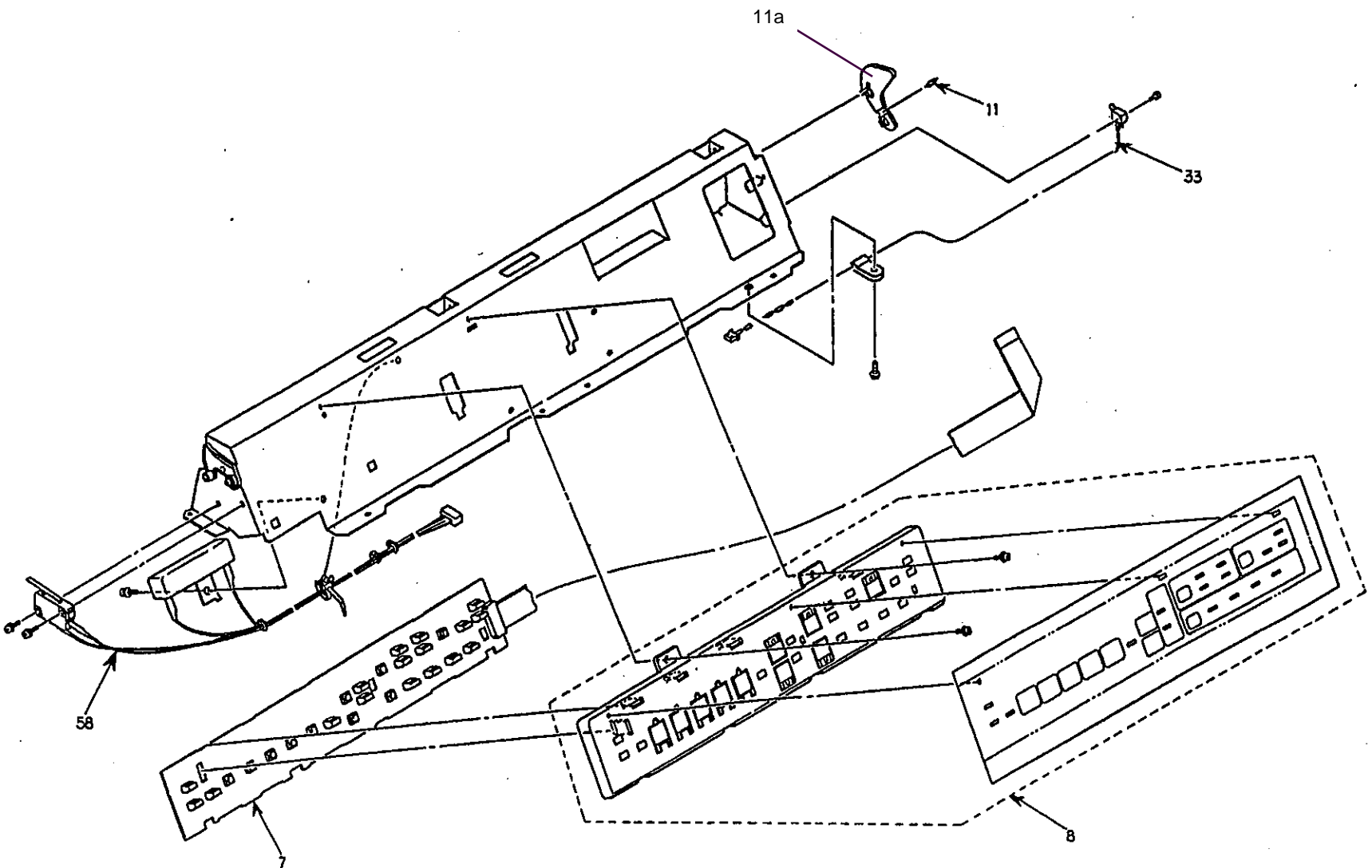


Upper cover assembly (Color model)

ML 395

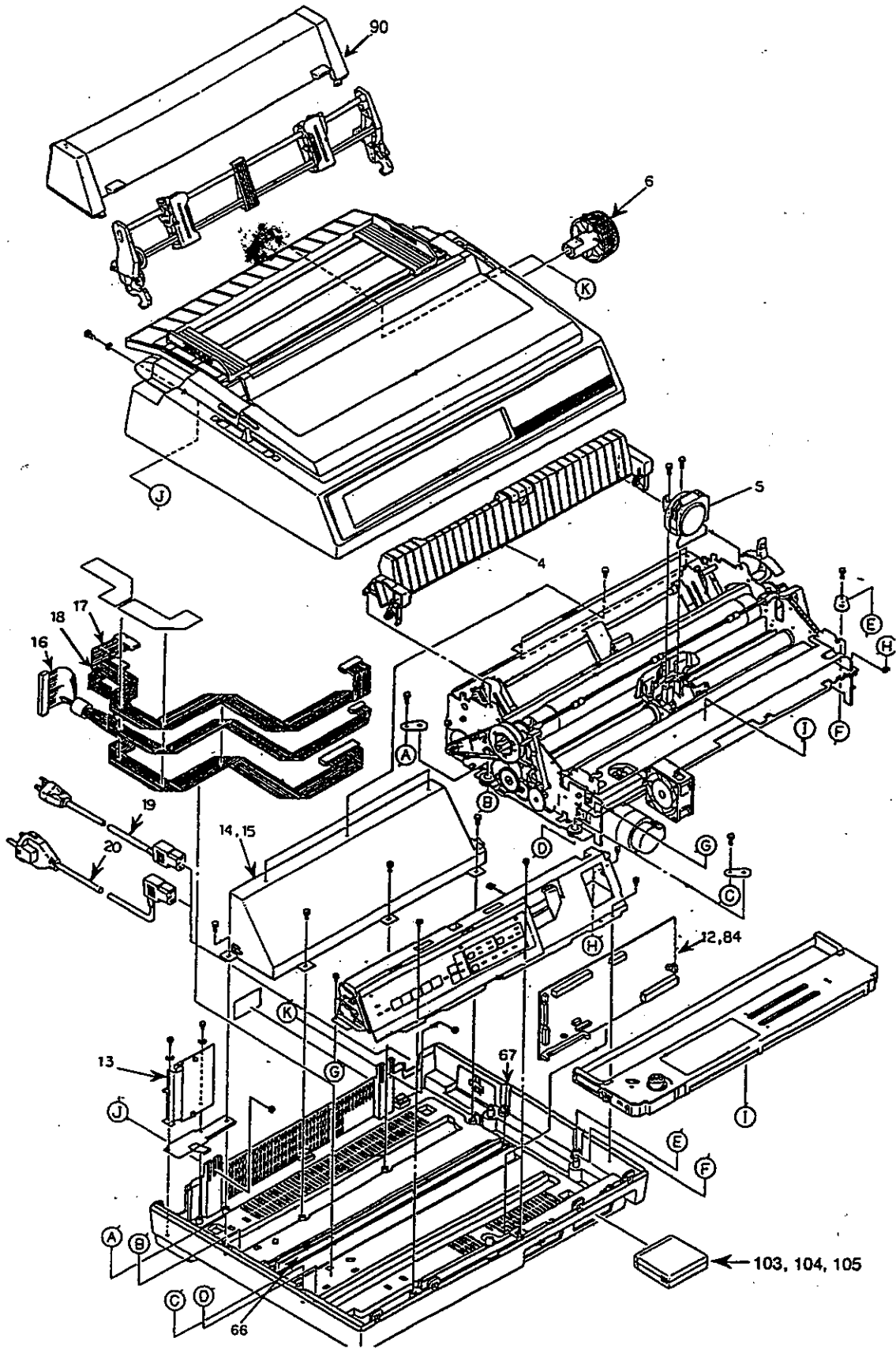


Upper cover assembly (Monochrome model)

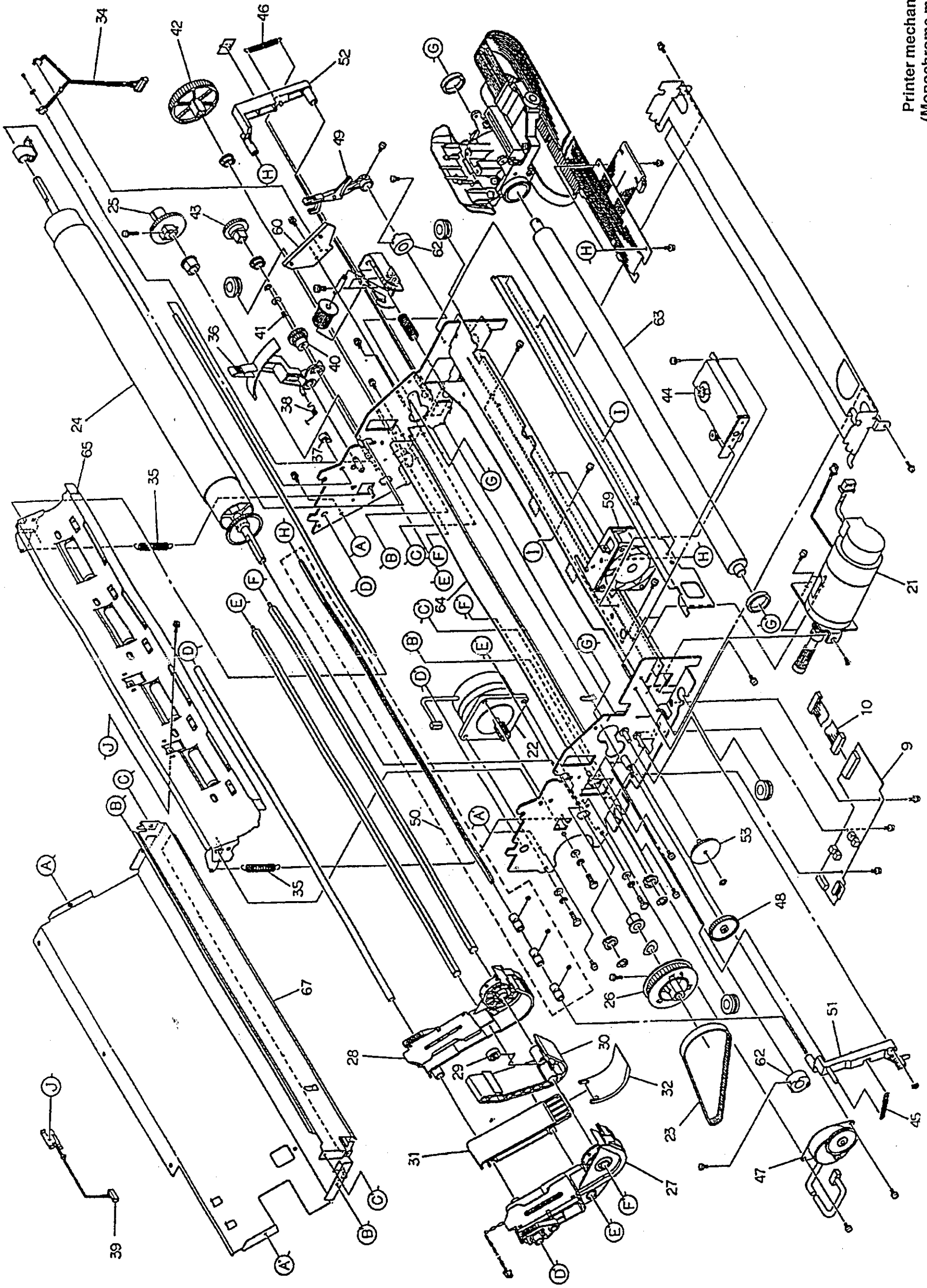


Shield cover assembly

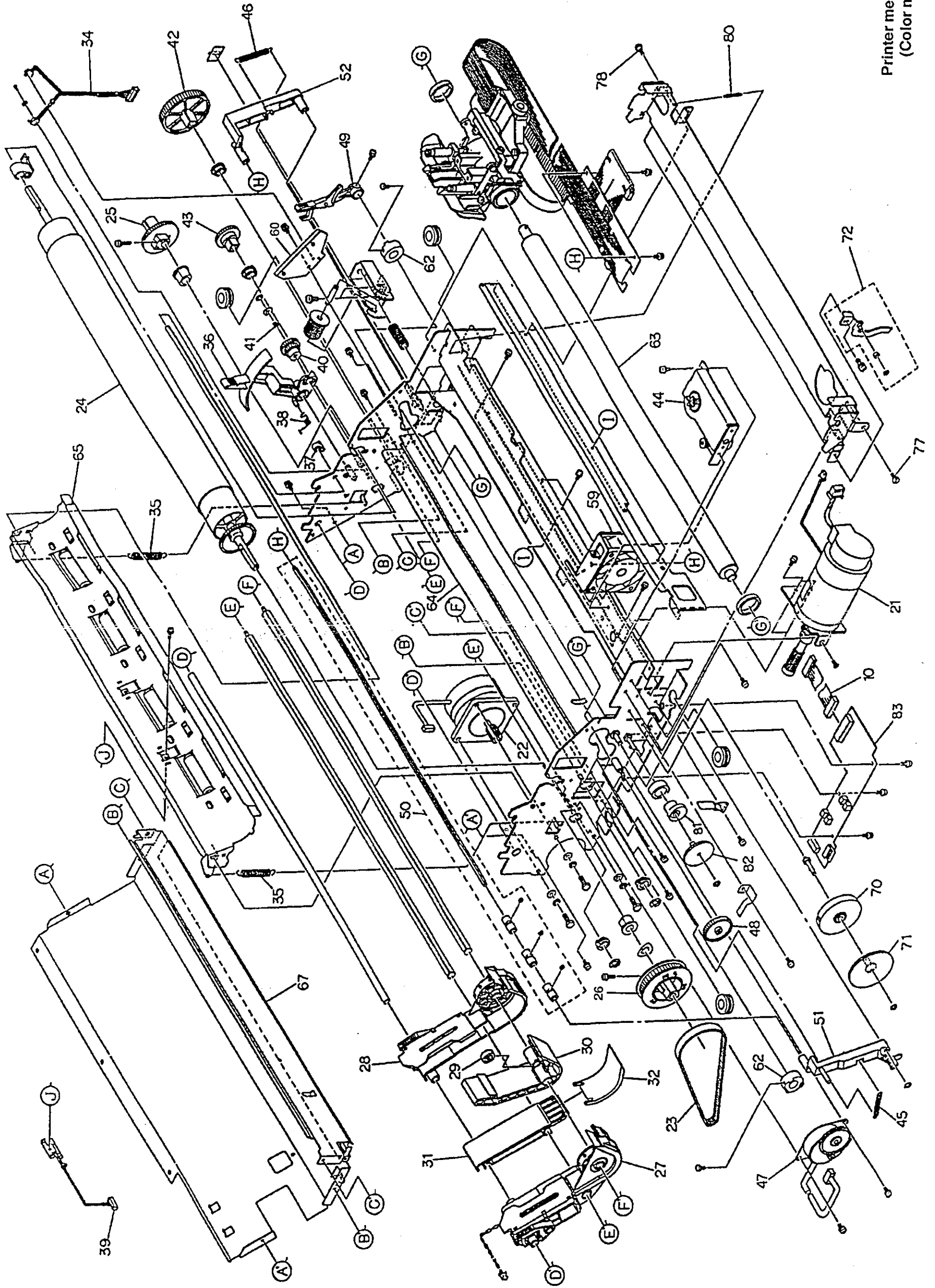
ML 395



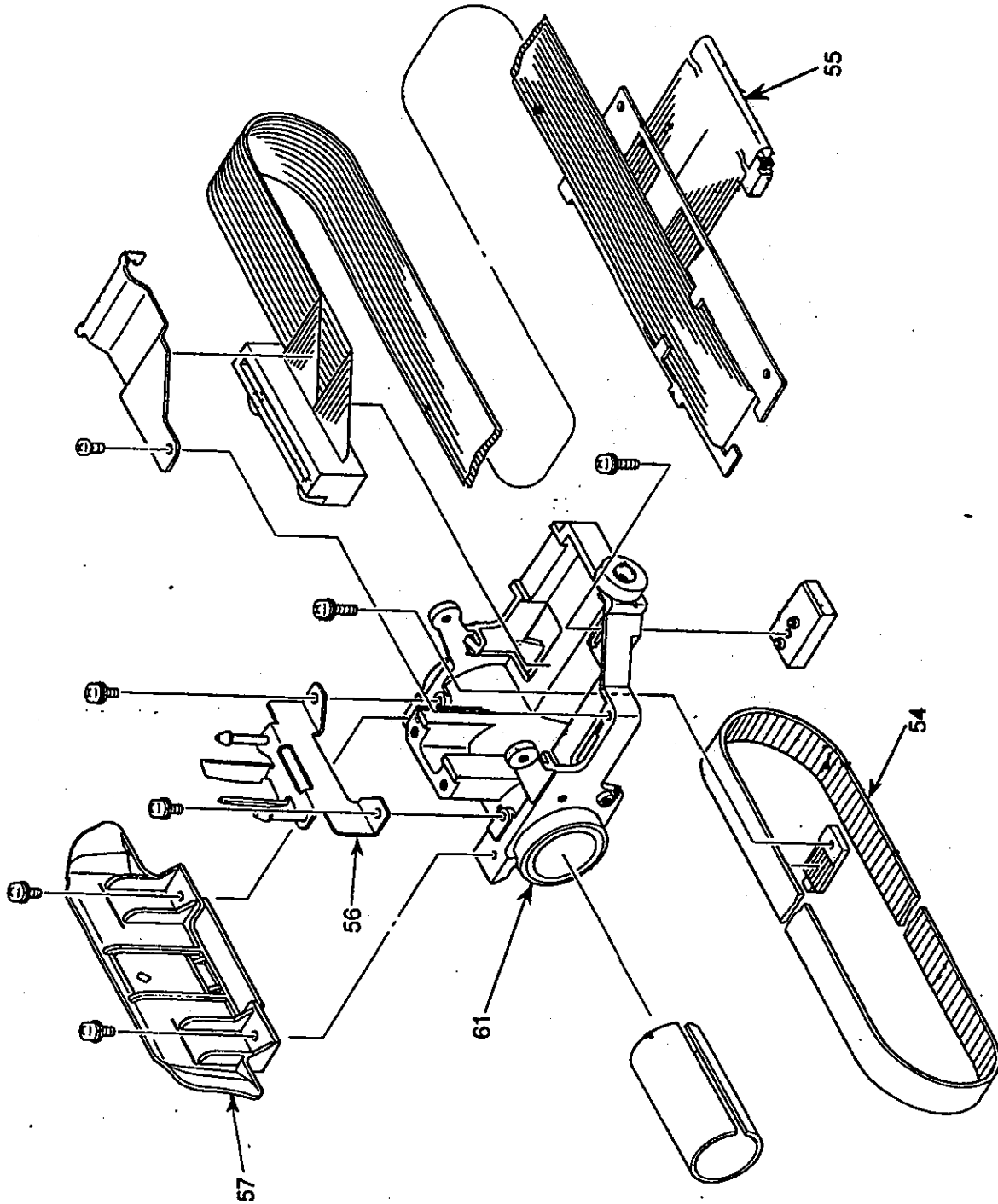
Printer unit general assembly



Printer mechanism
(Monochrome model)

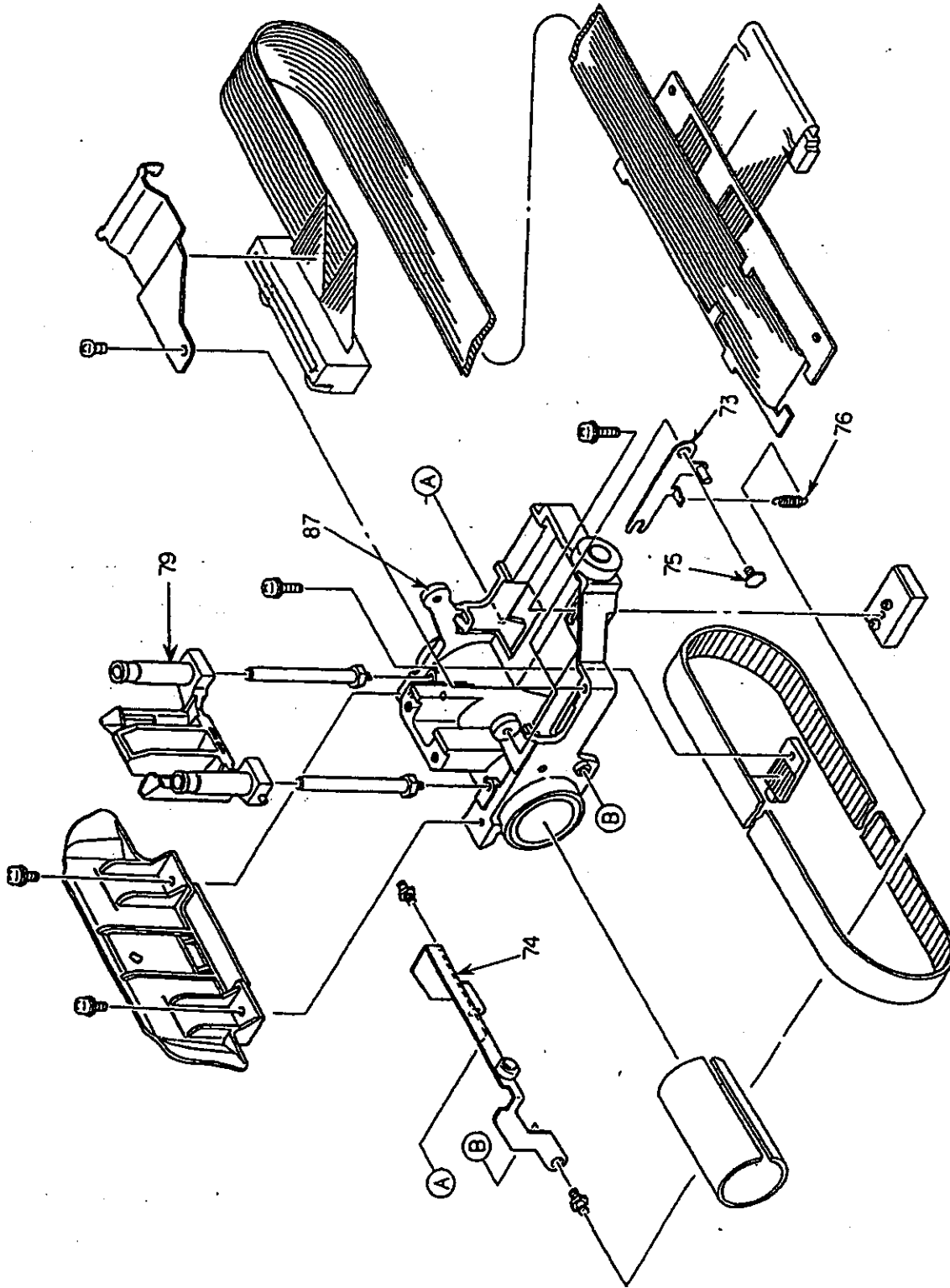


Printer mechanism
(Color model)

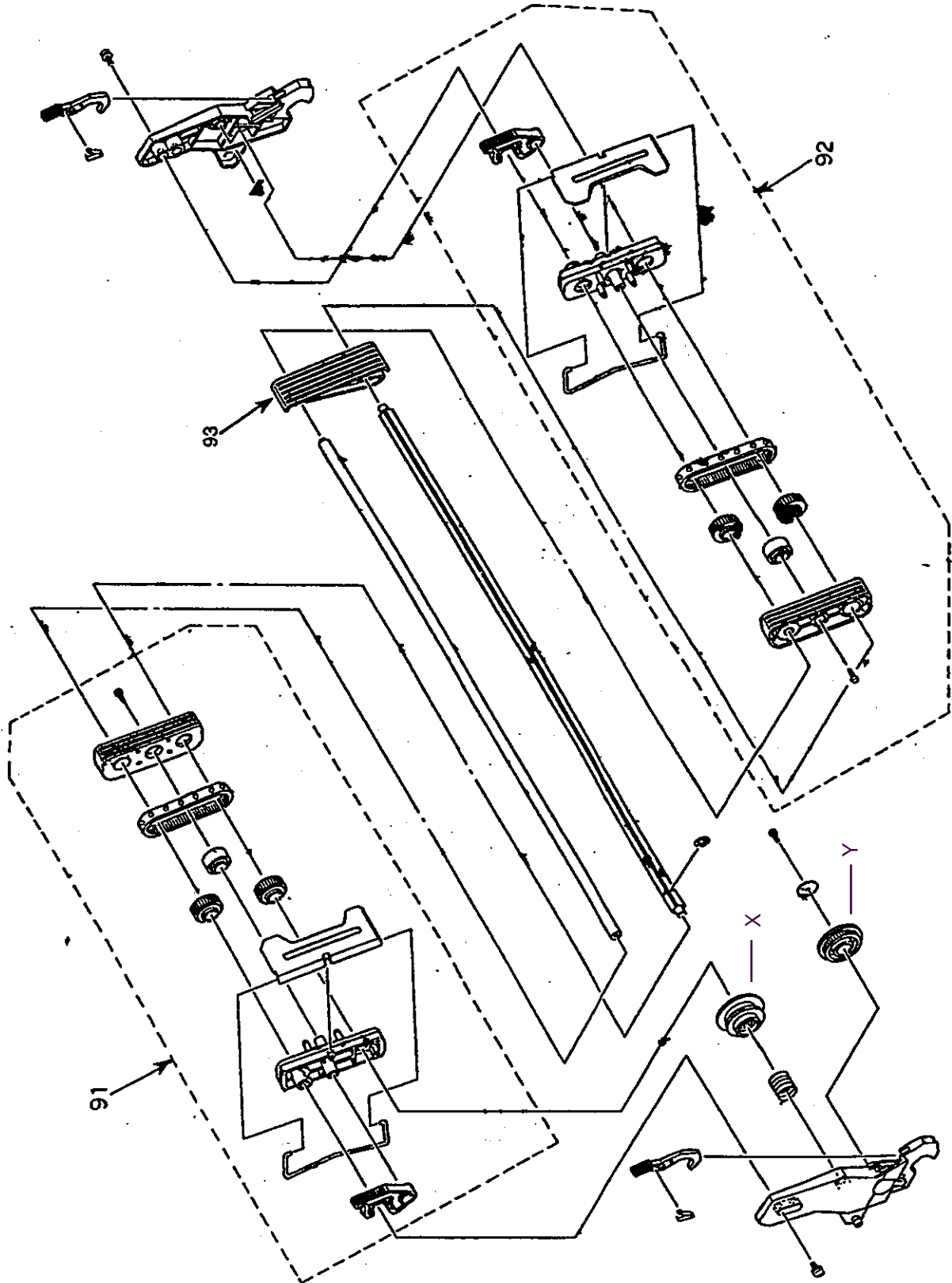


**Carriage assembly
(Monochrome model)**

ML 395

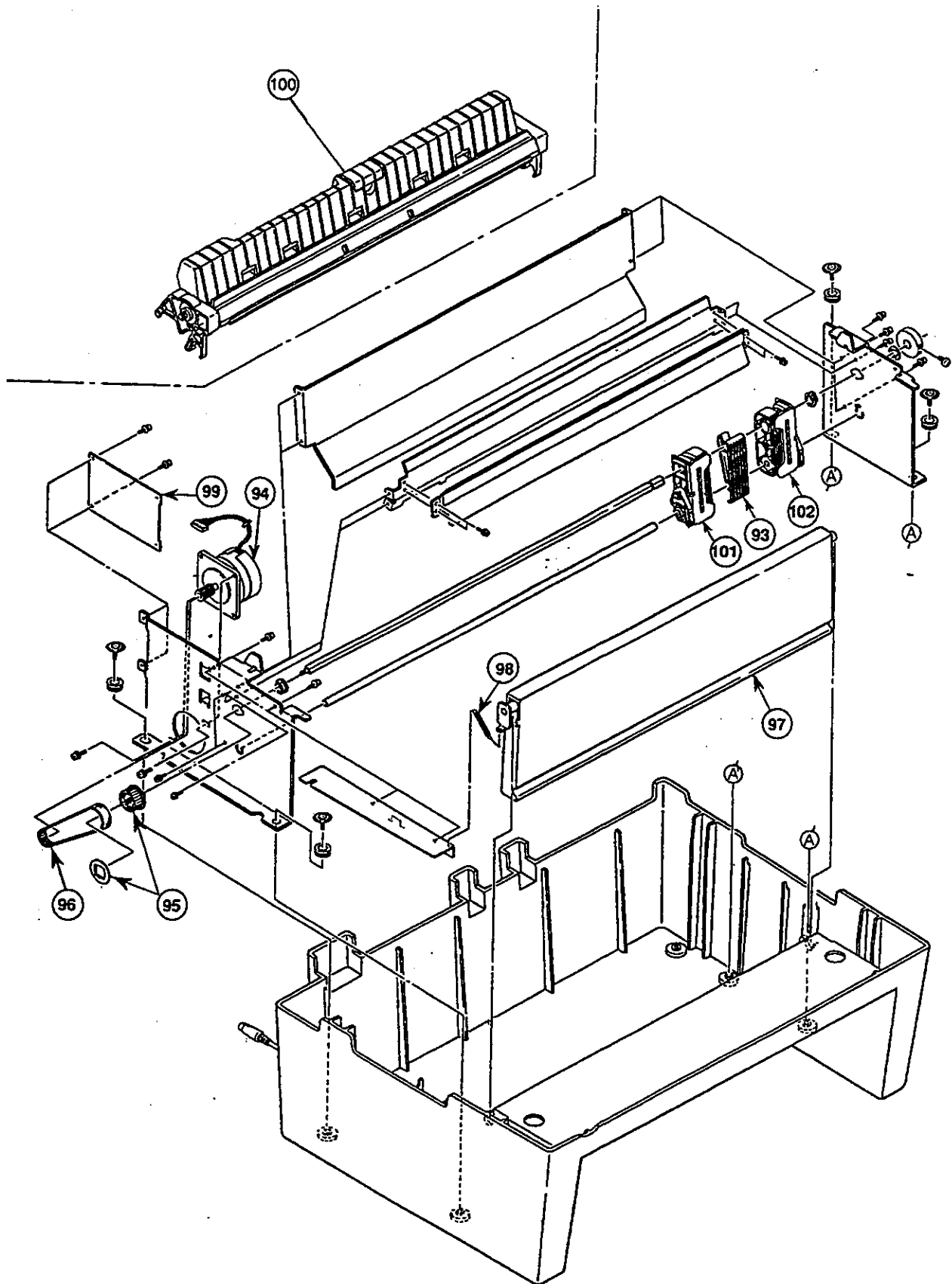


**Carriage assembly
(Color model)**



Tractor unit (Option)

ML 395



Bottom push tractor (Option)

ML395

<u>No.</u>	<u>Parts List</u>	<u>Description</u>	<u>Remarks</u>
1a	3PP4016-4513P1	Slide lever	
1	2PA4016-4723G43	Middle Cover Assy for OEL	
2	1 PA4094-5837G1	Access Cover Assy for ODA	PM3410
	1 PA4094-5837G2	Access Cover Assy for OEL	PM3410
3	1 PA4094-5841G1	Rear Cover Assy for ODA	PM3410
	1 PA4094-5841G2	Rear Cover Assy for OEL	PM3410
4	3PA4043-4278G1	Sheet Separator for ODA	PM3410
	3PA4043-4278G2	Sheet Separator for OEL	
5	4YA4023-1451G5	Printhead	ML393
6	3PP4043-2501P1	Platen Knob	
7	4YA4050-3106G1	Operation Panel PCB (TFOP)	
8	3PP4043-2712G5	Operation Panel for ODA	
	3PP4043-2712G6	Operation Panel for OEL	ML393
9	4YA4042-1462G1	Sensor Board (LQEW)	ML393
10	4YS4011-4321P1	Sensor Board Connection Code Spring	
11	4LB-192200-5	(Cover Open Lever)	
12	4YA4050-3085G11	Main PCO (TFCB-1 1) for ODA Main	ML393
	4YA4050-3085G13	PCB (TFCB-1 3) for OEL [IF	ML393
13	4YA4042-1293G11	Connector Assy (LOPN) for ODA i/F	PM3410
	4YA4042-1293G12	Connector Assy (LOPN) for OEL	PM3410
14	4YB4049-1709P1	Power Supply Assy (120V)	ML393
15	4YB4049-1278P2	Power Supply Assy (220/240V)	ML393
16	3YS4011-7912G1	IF-Main Board Connection Cord (SOP)	ML393
17	4YS4011-6295G1	Power connection Cord (9P)	ML393
18	4YS4011-6253G3	Power Connection Cord (13P)	ML393
19	3YS4011-1026P1	AC Cable (USA Standard)	
20	3YS4011-1265P1	AC Cable (Continental)	
21	3YX4043-2550G5	Space Motor Assy	ML393
22	3PB4043-4373P1	LF Motor Assy	ML393
23	4LP-1313-239	Mini Pitch Belt (LF)	ML393
24	4PA4043-2556G1	Platen Assy	ML393
25	3PP4043-2466P1	Platen Gear A	ML393
26	4PP4043-2465P1	Platen Pulley	ML393
27	3YX4043-2561G1	Push Tractor Assy (L)	ML393
28	3PA4043-2562G1	Push Tractor Assy (R)	ML393
29	4PP4043-2451P1	Friction Piece	ML393
30	3PP4043-2452P1	Center Guide Upper	ML393
31	3PP4043-2453P1	Center Guide Lower A	ML393
32	3PP4043-2454P1	Center Guide Lower 13	ML393
33	4YX4043-2759G1	Micro Switch Cable Assy (Cover Open)	ML393
34	4YX4043-2784G1	Micro Switch Cable Assy (Adjust & Release Lever)	ML393
35	4LB-193400-1	Spring (Paper Chute)	ML393
36	3PP4043-2459P6	Release Lever for ODA	ML393
	3PP4043-2459P1	Release Lever for PEL	
37	4 PP4043-2460P1	Release Lever Guide Block	
38	4PB4043-2754P1	Detent Spring (for Release Lever)	
39	4YX4043.2576G1	Sensor Assy (Cut Sheet)	
40	4PP4043-2458P1	Idle Gear	

ML395

N o.	Parts List	Description	Remarks
41	4LB-190600-6	Spring (for Idle Gear),	ML393
43	4PP4043-2456P1	Drive Gear A	ML393
43	4PP4043-2457P1	Drive Gear B	ML393
44	4PA4043-2584G1	Ribbon Feed Assy	ML393
45	4PP40432628P1	Spring (Bail Arm) (L)	ML393
46	4LB-193100-2	Spring (Bail Arm) (R)	ML393
47	3PB4043-2601P1	Stepping Motor Assy (Bail/Ribbon Motor)	ML393
48	5LR-193134-1	Idle Gear	ML393
49	3PP4043-2504P1	Adjust Lever	ML393
50	4PA4043-2711G1	Indicator Shaft Assy	ML393
51	3PP4043-2509P1	Bail Arm (L)	ML393
52	3PP4043-2510P1	Bail Arm (R)	ML393
53	3PP4043-2764P1	Bail Open Cam	ML393
54	4PB4044-1492P3	Mini Pitch Belt (Spacing)	ML393
55	3YX4043-2713G1	Head Cable Assy	ML393
56	4PP4043-2643G1	Ribbon Guide Assy	ML393
57	4PP4043-3954G1	Ribbon Protector Assy	ML393
58	3YX4043-4228G1	Interlock Switch Assy	PM/ML3410
59	4YX4043-4219G1	Cooling Fan ''	PM/ML3410
60	3PP4043-2505P2	Print Gap Indicator (Adjust Bracket)	
61	3PP40433-2611G2	Carriage Frame (Press Fit)	ML393
62	4PP4043-2507P1	Eccentric Collar	ML393
63	4PP4043-2565P1	Carriage Shaft	ML393
64	3PB4043-4357P1	Bottom Guide	PM/ML3410
65	4PB4043-2579P1	Cut Sheet Guide	ML393
66	3PB14043-4227P1	Bottom Rear Guide	PM/ML3410
67	4PB4043-4331P1	Bottom Guide Plate	PM/ML3410
	(Colour Version Only)		
70	2PP4043-3325P1	Ribbon Shift Cam	ML393
71	4PP4043-2729P1	Ribbon Shift Gear	ML393
72	4PA4043-2710G1	Shift Cam Lever Assy	ML393
73	4PP4043-2776G1	Ribbon Shift Arm	ML393
74	4PP4043-2741G1	Roller Lever	ML393
75	4PP4043-2745P1	Screw	ML393
76	4PP4043-3803P1	Spring (Shift Arm)	ML393
77	4LB-130100-3A	Shoulder Screw (L)	ML393
78	4LB-130100-6A	Shoulder Screw (R)	ML393
79	3PP4043-2477P2	Ribbon Guide	ML393
80	4PP4043-2642P1	Cartridge Balance Spring	ML393
81	3PP4043-3321 P1	Bail Open Cam	ML393
82	4PP4043-2499P1	Bail Open Gear	ML393
83	4YA4042-1462G2	Sensor Board (LQEW-2)	ML393
84	4YA4050-3085G12	Main PCB (TFCI3-12) for ODA	w/o ROM
	4YA4050-3085G14	Main PCB (TFCB-14) for OEL	w/o ROM
85	1 PA4094-5837G3	Access E-over Assy for ODA	
	1 PA4094-5837G4	Access Cover Assy for OEL	

ML395

86	2PA4016-4723G42	Middle Cover Assy for ODA	
	2PA4016-4723G44	Middle Cover Assy for OEL	
87	3PP4043-2611G1	Carriage Frame	ML393
	(OPTION)		
90	2PA4016-4722G4	Tractor Cover Assy for ODA	ML393
	2PA4016-4722G1	Tractor Cover Assy for OEL	ML393
91	4PA4043-2684G1	Pin Tractor Assy (L) (Pull)	ML393
92	4PA4043-2685G1	Pin Tractor Assy (R) (Pull)	ML393
93	4PP4025-2653P1	Sheet Guide	PM/ML3410,
94	3PB4043-4249P1	LF Motor Assy	PM/ML3410
95	4PP4053-2693P1	Drive Pulley	
96	4LP-1313-191	Mini Pitch Belt (125 Teeth)	
97	2PA4094-6159G1	Front Door Assy for ODA	PM3410
	2PA4094-6159G2	Front Door Assy for OEL	ML3410
98	4PP4043-4300P1	Spring	PM/ML3410
99	4YA4042-1513G2	Bottom Feed PCB (STFO-2)	
100	4YA4043-4280G1	Pull up Roller Assy for ODA	PM3410
	4YA4043-4280G2	Pull up Roller Assy for OEL-	ML3410
101	4PA4043-2684G2	Pin Tractor Assembly L (bottom)	PM/ML3410
102	4PA4043-2685G2	Pin Tractor Assembly R (bottom)	PM/ML2410
103	4YA4042-1301G201	Font Cartridge GOTHIC for OEL	ML393
104	4YA4042-1301G202	Font Cartridge PRESTIGE for OEL	ML393
105	4YA4042-1470G201	Memory Expansion Cartridge for OEL	ML393
X	4PP4043-2689p1	Gear	
y	4PP4043-2690P1	Gear	