

ML 520/1

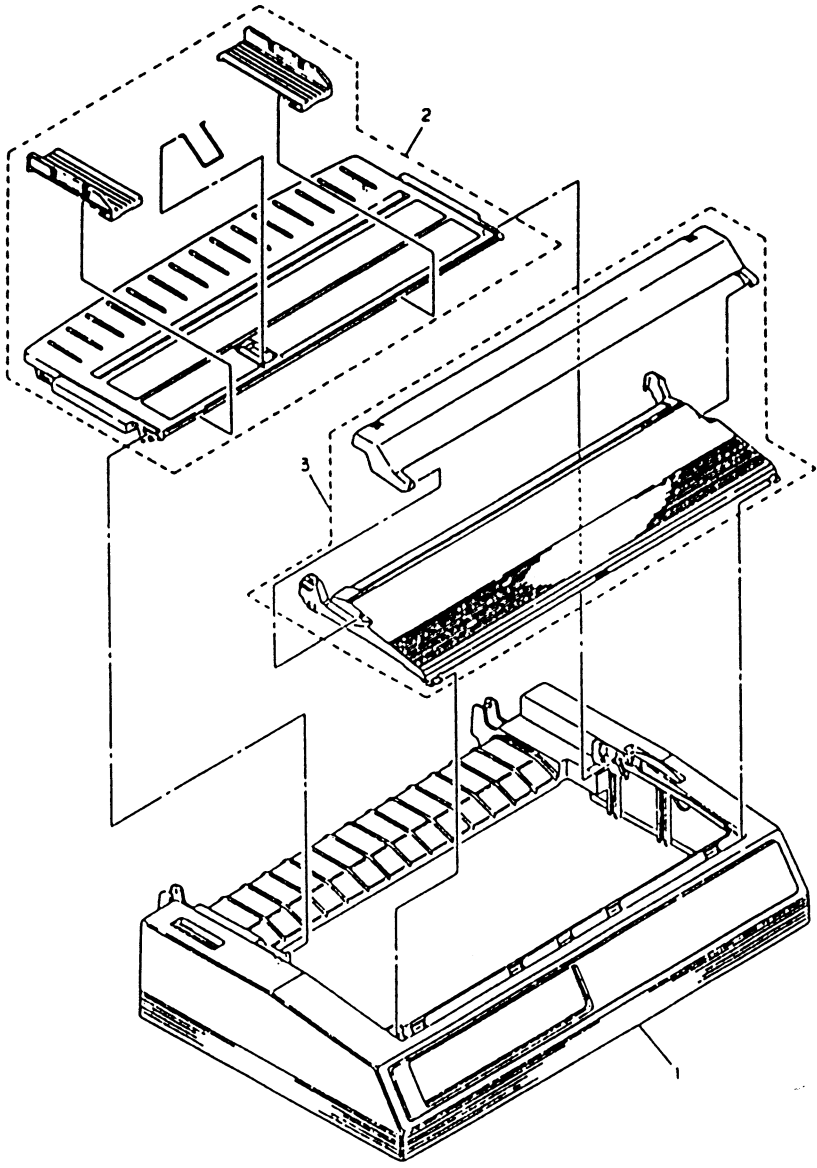


Figure 11-1 Upper Cover Assy

ML520/1

Figure 11-1 Upper Cover Assy

No.	Part No.	Description	Q'ty	Q'ty Req.	Remarks
1.	1PP4094-6501 P4	Upper cover (N)	1	2	For 520
	1PP4094-7201 P4	Upper cover (W)	1	2	For 521
2.	1PA4094-7305G2	Sheet guide assy (N)	1	2	For 520
	1PA4094-7308G2	Sheet guide assy (W)	1	2	For 521
3.	2PA4094-7381G1	Access cover assy (N)	1	4	For 520
	2PA4094-7382G1	Access cover assy (W)	1	4	For 521

ML 520/1

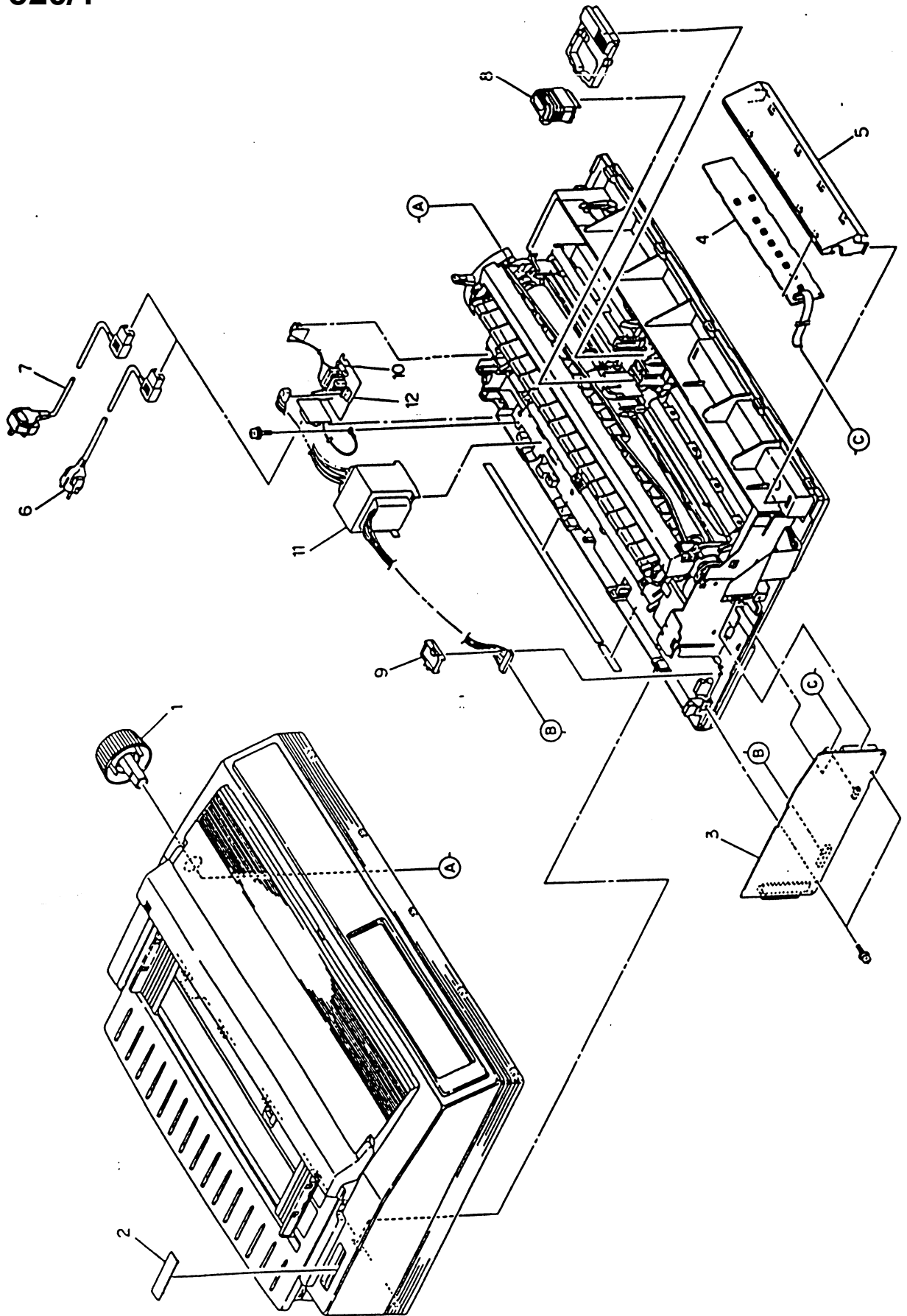


Figure 11-2 Printer general Assy

ML520/1

Figure 11-2 Printer general assy

No.	Part No.	Description	Q'ty	Q'ty Req.	Remarks
1.	2PP4094-6507P3	Platen Knob	1	1	
2.	2PP4094-6506P2	Cover (B) for card slot	1	1	
3.	4YA4042-1515G301	Control board (FJIM)	1	9	without ROM
	4YA4042-1528G401	Control board (FJUK)	1	9	Without ROM for UK production
4.	4YA4042-1516G2	Operator panel board (LEOP-2)	1	3	
5.	3PP4025-3670G2	Operation panel	1	2	
6.	3Y54011-1265P1	AC cord for 230V	1	1	Continental
7.	3Y54011-1268P1	AC cord for 240V	1	1	U K type
8.	4YA4023-2801G1	Print head assy	1	10	
9.	4PP4025-3621P1	Cord clamp	1	1	
10.	542A1173C0801	CIRCUIT PROTECTOR	1	10	
	540A2062T2102	Fuse for 218001.0 (250V 1.OA)	1	10	For 230/240V
11.	4Y84049-7031P1	Transformer (520 230/240V)	1	2	
	4YB4049-7031P2	Transformer (521 230/240V)	1	2	
12.	4YB4021-1144P1	Filter board	1	1	For 230V
	4YB4021-1144P2	Filter board	1	1	For 240V
	4YB4021-1143P1	Filter Board			For 110V

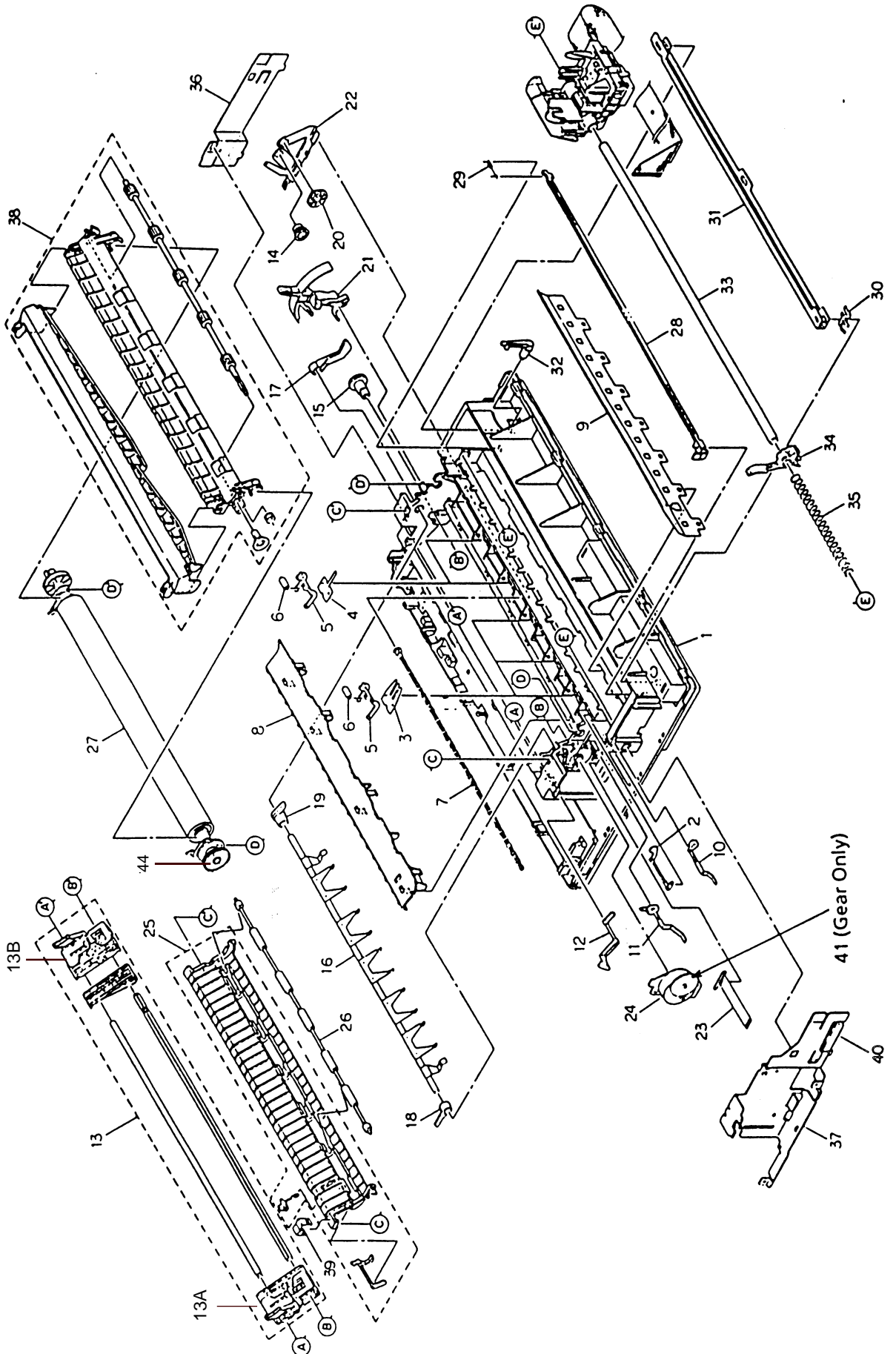


Figure 11-3 Printer Unit

ML520/1

Figure 11-3 Printer unit

No.	Part No.	Description	Q'ty	Q'ty Req.	Remarks
1.	3PA4025-3302G1	Main frame (N)	1	2	For 520
	3PA4025-3502G1	Main frame (W)	1	2	For 521
2.	3PP4025-3315P1	Bottom paper end lever	1	1	
3.	4PP4025-3316P1	Front pressure spring	3	2	
4.'	4PP4025-3324P1	Front pressure spring(W)	2	1	For 521
5.	4PP4025-3317P1	Front roller holder	3	6 (520) 8 (521)	
6.	4PP4025-3325P1	Front pressure roller	3	6 (520) 8 (521)	
7.	3PP4025-3318P1	Front release gear shaft (N)	1	2	For 520
	3PP4025-3505P1	Front release gear shaft (W)	1	2	For 521
8.	1PP4025-3319P2	Paper pan (N)	1	2	For 520
	1PP4025-3506P2	Paper pan (W)	1	2	For 521
9.	3PP4025-3320P1	Leaf spring (N)	1	2	For 520
	3PP4025-3507P1	Leaf spring (W)	1	2	For 521
10.	3PP4025-3322P1	Bottom sensor lever	1	2	
11.	3PP4025-3321P1	Rear sensor lever	1	1	
12.	4PP4025-3323P1	Sensor lever for cut sheet & continuous sheet	1	1	
13.	3PA4025-3330G1	Tractor assy (N)	1	2	For 520
	3PA4025-3330G2	Tractor assy (W)	1	2	For 521
13a	4PA4025-3333G1	Push tractor assy Left			
13b	4PA4025-3331G1	Push tractor assy Right			
14.	4PP4025-3340P1	Change gear	1	2	
15.	3PP4025-3341P1	Tractor gear	1	2	
16.	3PP4025-3346G1	Pressure spring (N)	1	2	For 520
	3PP4025-3511G1	Pressure spring (W)	1	2	For 521
17.	4PP4025-3350P1	Front release gear arm	1	2	
18.	4PP4025-3351P1	Switch lever (cut sheet & continuous sheet)	1	1	

ML520/1

No.	Part No.	Description	Q'ty	Q'ty Req.	Remarks
19.	3PP4025-3352P1	Release cam	1	2	
20.	4PP4025-3353P1	idle gear	1	2	
21.	2PP4025-3354P3	Change lever	1	2	
22.	3PP4025-3355P1	Reset spring	1	2	
23.	3P84025-3356P1	LF connection cord	1	3	
24.	3P84025-3357P2	LF motor assy	1	4	
25.	3PA4025-3360G2	Paper chute assy (N)	1	2	For 520
	3PA4025-351 SG2	Paper chute assy(W)	1	2	For 521
26.	3P84025-3364P1	Rear pressure roller (N)	1	2	For 520
	3PB4025-3517P1	Rear pressure roller (W)	1	2	For 521
27.	3PA4025-3370G1	Platen assy (N)	1	3	For 520
	3PA4025-3370G2	Platen assy (W)	1	3	For 521
28.	3PP4025-3376P1	Space rack(N)	1	3	For 520
	3PP4025-3522P1	Space rack(W)	1	3	For 521
29.	4P84025-3377P1	Tension spring for. space rack	1	1	
30.	4PP4025-3378P1	Guide rail FG SP(L)	1	1	
31.	3PP4025-3379P1	Guide rail(N)	1	1	For 520
	3PP4025-3523P1	Guide rail(W)	1	1	For 521
32.	3PP4025-3380P1	Adjust cam	1	1	
33.	4PP4025-3381P1	Carriage shaft(N)	1	1	For 520
	4PP4025-3381P2	Carriage shaft(W)	1	1	For 521
34.	4PA4025-3382G1	Support protector assy	1	3	
35.	4PB4025-3385P1	Support protector reset spring	1	2	
36.	3PP4025-3386P1	FG plate (R)	1	1	
37.	3PA4025-3387G1	FG plate (L) assy	1	1	
38.	3PA4025-3440G2	Pull-up roller assy (N)	1	2	For 520
	3PA4025-3530G2	Pull-up roller assy (W)	1	2	For 521
39.	4PP4025-3365P1	Lock spring	1	1	
40.	4PP4042-1529G1	Core with adhesive tape	1	2	
41.	3PB4055-2893P1	Gear LF, idle	1	4	
44	4PA4025-3373G1	Platen Gear Assy	1	4	

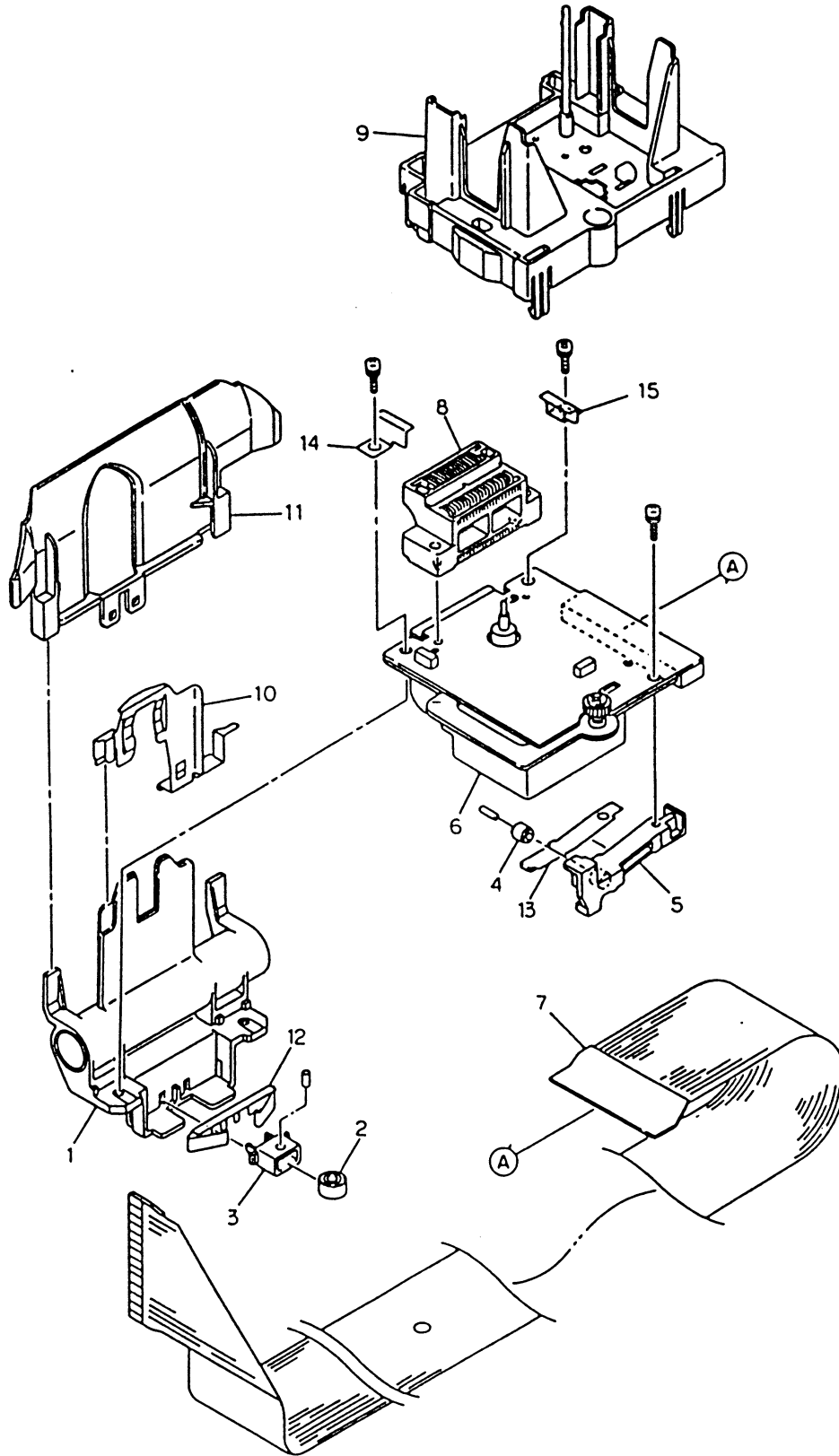


Figure 11-4 Carriage assy

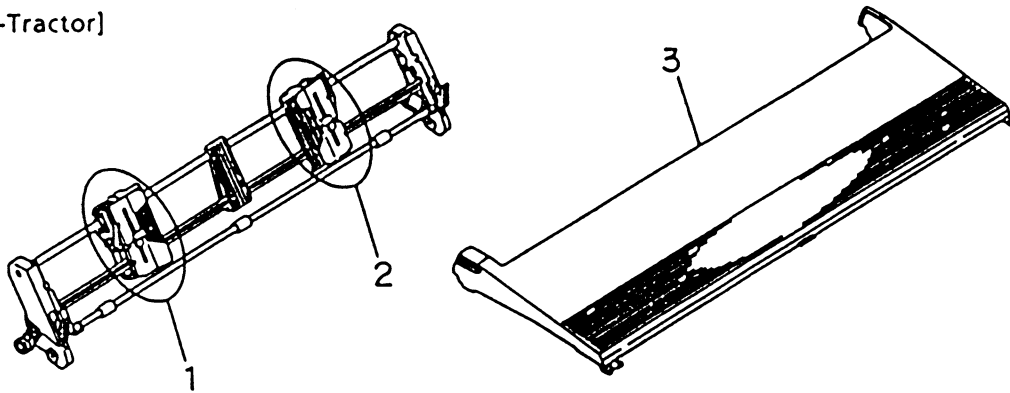
ML520/1

Figure 11-4 Carriage option assy

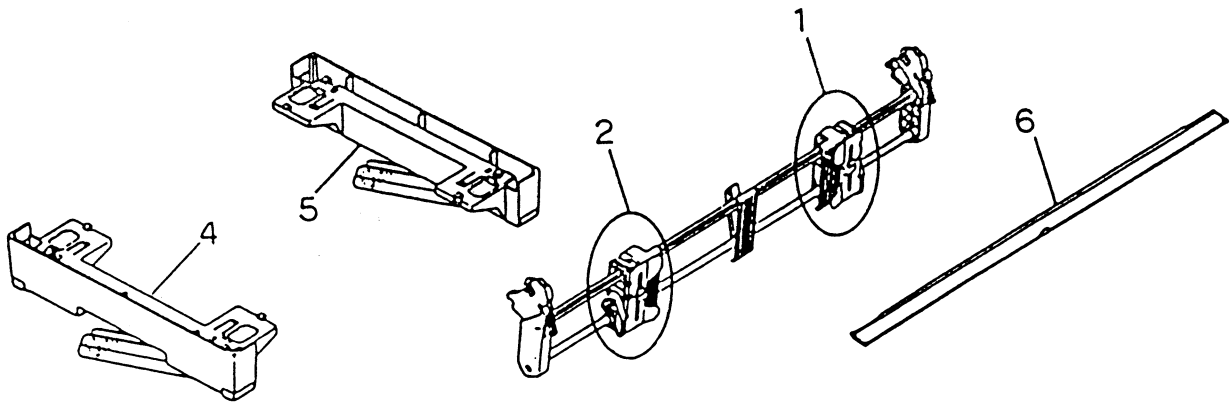
No.	Part No.	Description	Q'ty	Q'ty Req.	Remarks
1.	4PP4025-3394G1	Carriage frame set	1	2	
2.	Use Assembly below				
3.	4PA4025-3718G1	Back up roller holder Assy.	1	2	
4.	4PP4025-3398P1	Guide roller	1	2	
5.	3PP4025-3399P1	Guide roller holder	1	2	
6.	4YA4025-3250G1	space motor assy	1	4	
7.	2PU4007-1193P1	Carriage cable(N)	1	5	For 520
	2PU4007-1193P2	Carriage cable(W)	1	5	For 521
8.	224A1285P0400	PC connector	1	2	
9.	3PA4025-3406G1	Gear case assy	1	3	
10.	3PP4025-3431P1	Head clamp	1	1	
11.	3PP4025-3430P1	Ribbon protector	1	2	
12.	4PP4025-3397P1	Back-up roller holder spring	1	1	
13.	4PP4025-3401P1	Guide roller spring	1	1	
14.	4PP4025-3433P1	Connector holder (L)	1	1	
15.	4PP4025-3434P1	Connector holder (R)	1	1	

ML 520/1

[Pull-Tractor]



[Bottom-Tractor]



[I/F Board]

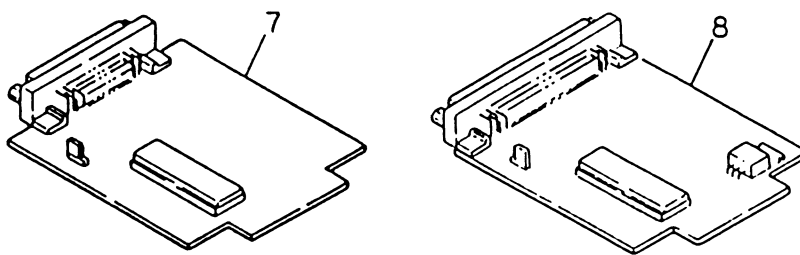


Figure 11-5 Option spare parts

ML520/1

Figure 11-5 Option spare parts

No.	Part No.	Description	Q'ty	Q'ty Req	Remarks
1.	4PA4025-3608G1	Pull and bottom tractor assy(L)	1	2	
2.	4PA4025-3603G1	Pull and bottom tractor assy(R)	1	2	
3.	2PP4094-7383G1	Tractor cover assy(N)	1	3	For 520
	2PP4094-7384G1	Tractor cover assy(W)	1	3	For 521
4.	2PA4094-6510G4	Bottom push stand(L)	1	2	
5.	2PA4094-6510G3	Bottom push stand(R)	1	2	
6.	4PP4094-7385G1	Paper knife(N)	1	1	For 520
	4PP4094-7386G1	Paper knife(W)	1	1	For 521
7.	SIF 300	LXHI-PCB (RS 232C I/F)	1	3	
8.	4YA4021-1102G3	LXHA-PCB (RS 422A I/F)	1	3	