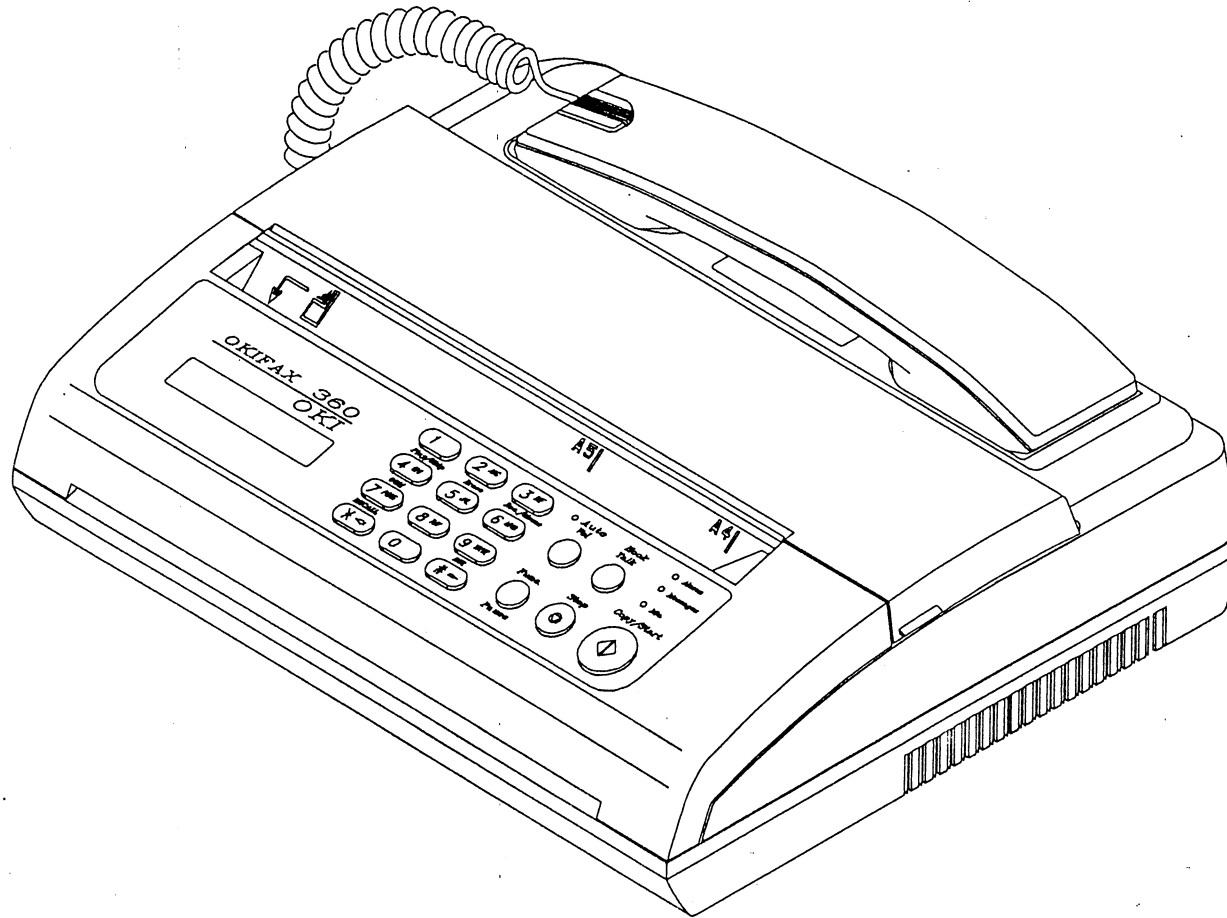
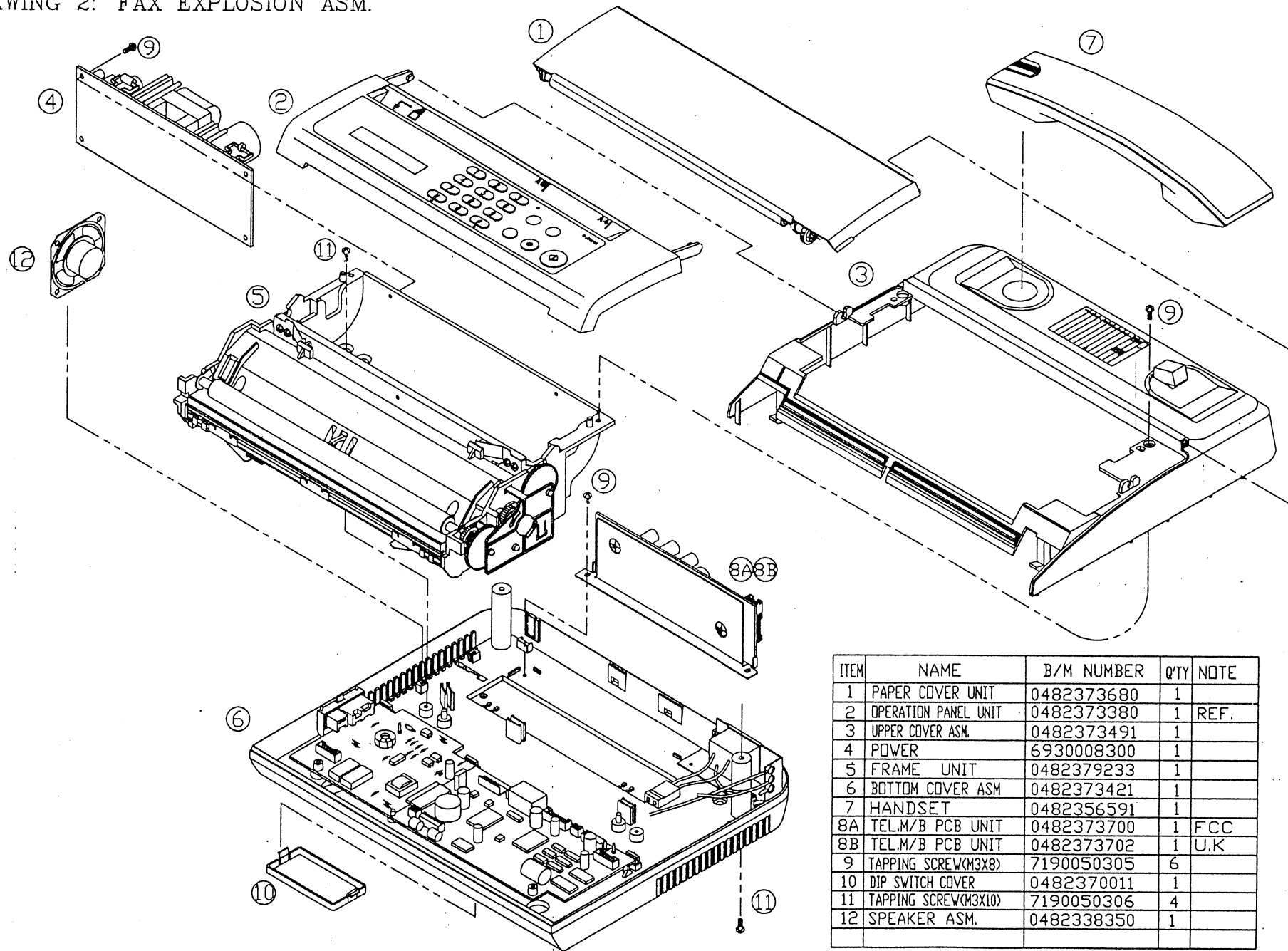


DRAWING 1: FAX OUTLINE

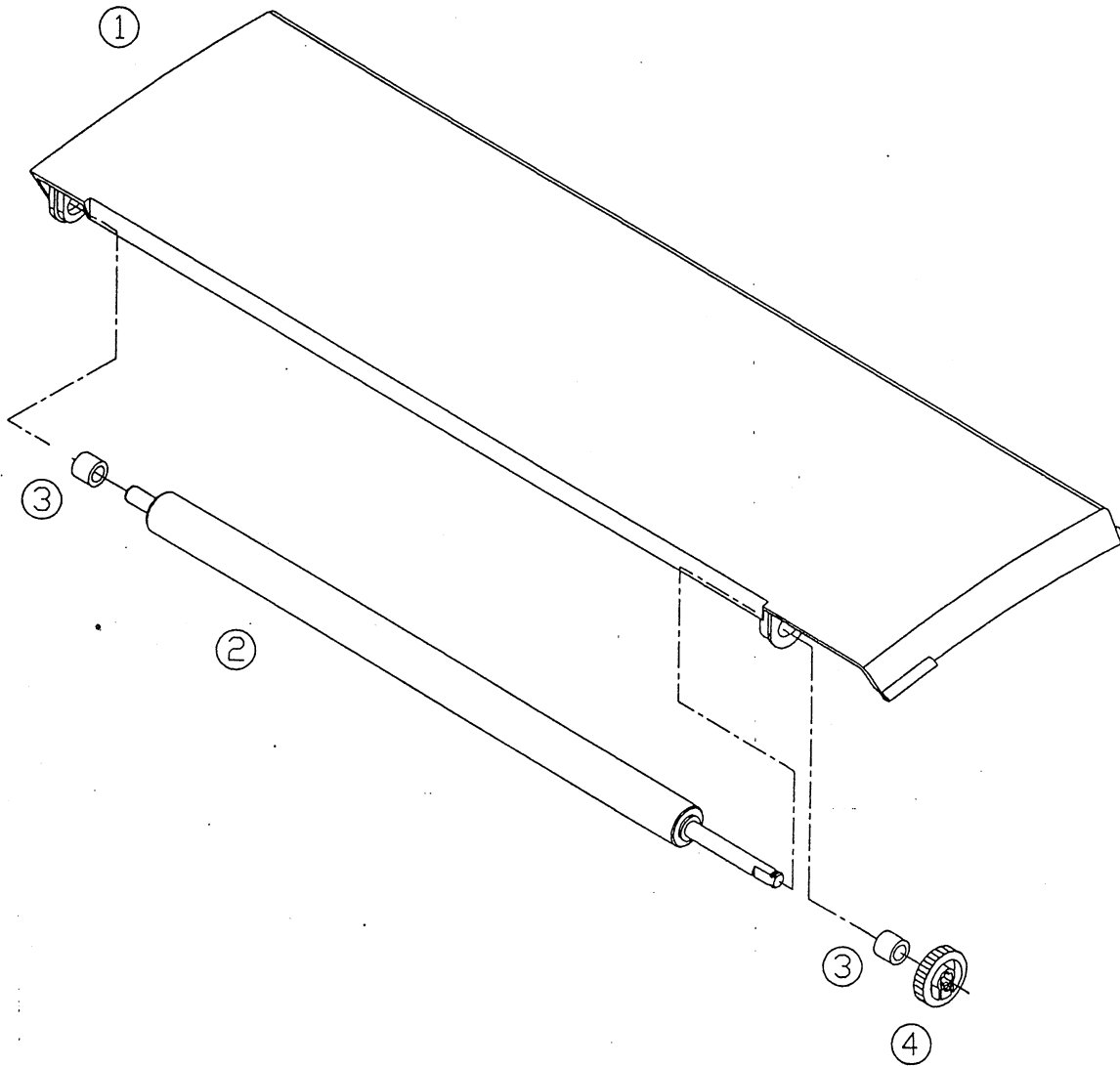


DRAWING 2: FAX EXPLOSION ASM.



ITEM	NAME	B/M NUMBER	Q'TY	NOTE
1	PAPER COVER UNIT	0482373680	1	
2	OPERATION PANEL UNIT	0482373380	1	REF.
3	UPPER COVER ASM.	0482373491	1	
4	POWER	6930008300	1	
5	FRAME UNIT	0482379233	1	
6	BOTTOM COVER ASM	0482373421	1	
7	HANDSET	0482356591	1	
8A	TEL.M/B PCB UNIT	0482373700	1	FCC
8B	TEL.M/B PCB UNIT	0482373702	1	U.K
9	TAPPING SCREW(M3X8)	7190050305	6	
10	DIP SWITCH COVER	0482370011	1	
11	TAPPING SCREW(M3X10)	7190050306	4	
12	SPEAKER ASM.	0482338350	1	

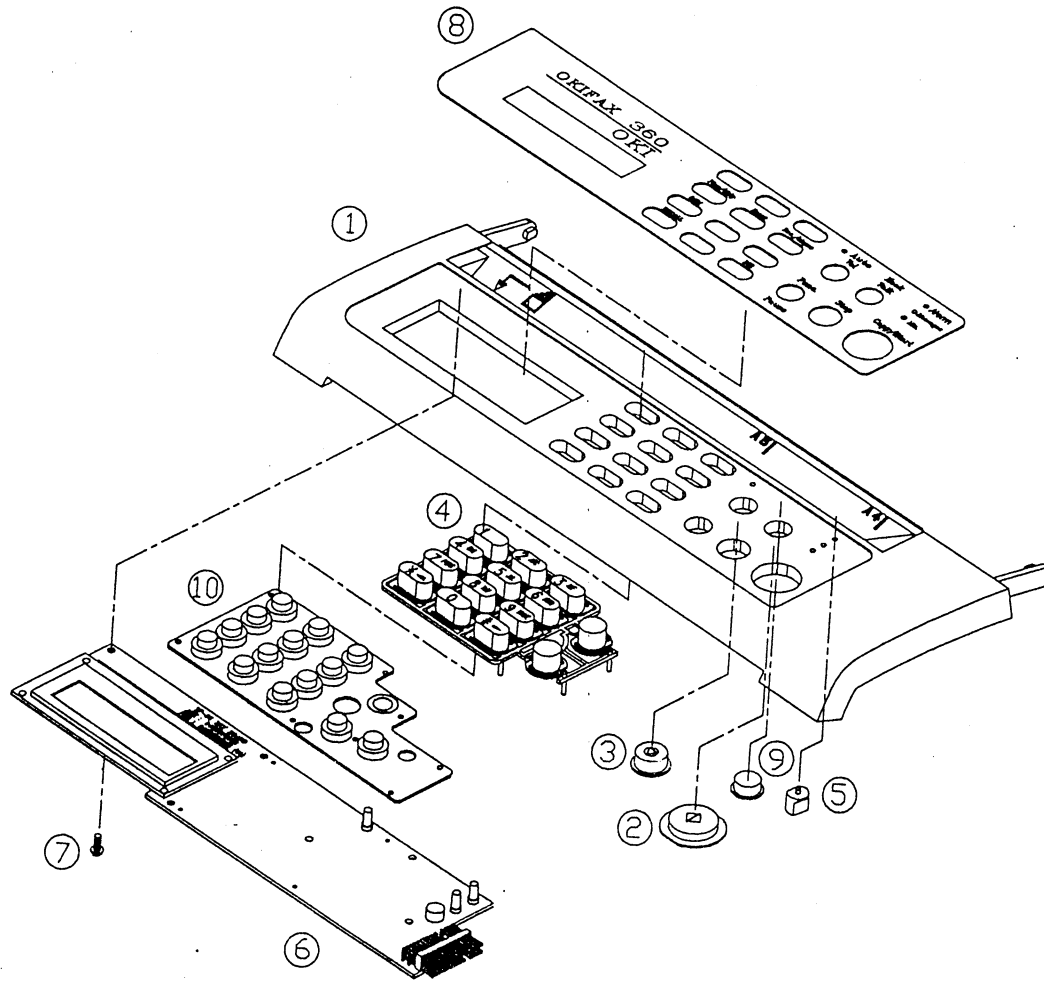
DRAWING 3: PAPER COVER UNIT



ITEM	NAME	B/M NUMBER	Q'TY
1	PAPER COVER	0482370201	1
2	TPH PLATEN	0482370250	1
3	BEARING	0482351020	2
4	PLATEN GEAR	0482350920	1

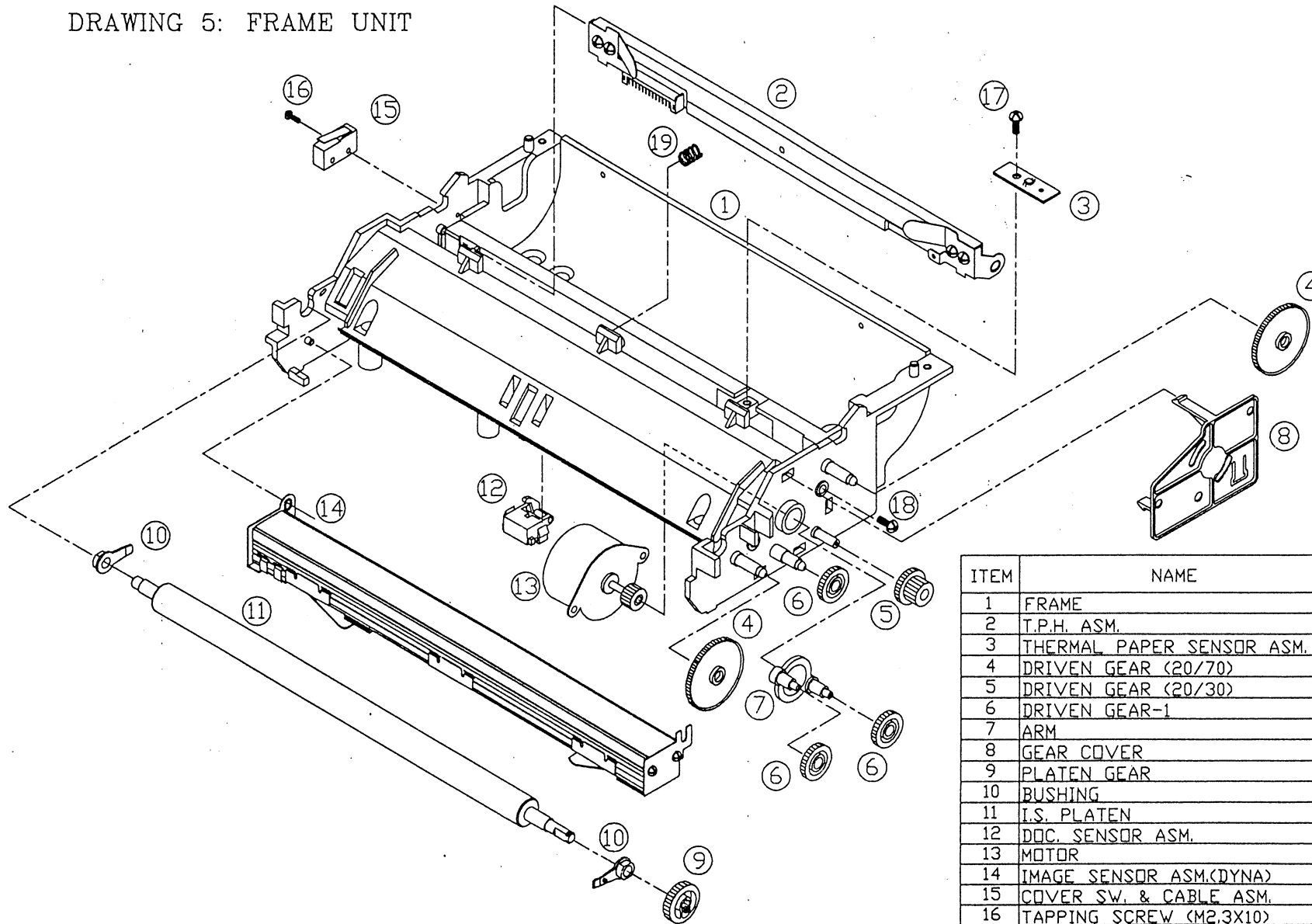
PS:COLOR:BLACK

DRAWING 4: OPERATION PANEL ASM



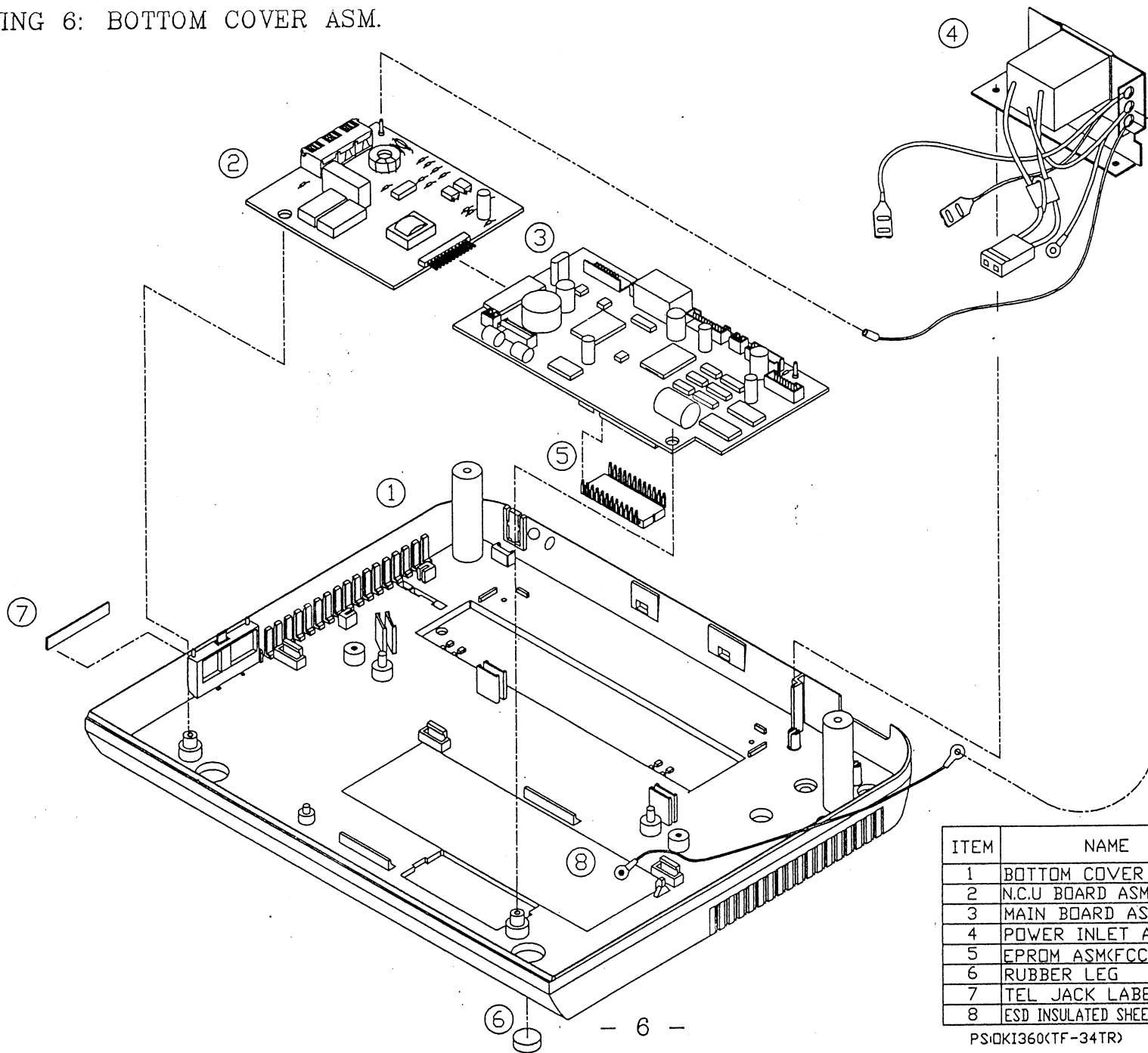
ITEM	NAME	B/M NUMBER	Q'TY
1	OPERATION PANEL	0482373117	1
2	START KEY(S/S)	0482371024	1
3	STOP KEY(S/S)	0482371044	1
4	NO KEY(S/S)	0482373140	1
5	LED CAP	0482371100	2
6	KEY BOARD P.C.B. ASM.(UK)	0482373050	1
	KEY BOARD P.C.B. ASM.(FCC)	0482373052	1
7	TAPPING SCREW(M2.3X6)	7131100682	6
8	DISPLAY PANEL (S/S)	0482373180	1
9	HOOK/TALK KEY	0482373136	1
10	SILICONE RUBBER	0482373150	1

DRAWING 5: FRAME UNIT



ITEM	NAME	B/M NUMBER	Q'TY
1	FRAME	0482370330	1
2	T.P.H. ASM.	0482379290	1
3	THERMAL PAPER SENSOR ASM.	0482378208	1
4	DRIVEN GEAR (20/70)	0482311370	2
5	DRIVEN GEAR (20/30)	0482321212	1
6	DRIVEN GEAR-1	0482311240	3
7	ARM	0482370290	1
8	GEAR COVER	0482370280	1
9	PLATEN GEAR	0482350920	1
10	BUSHING	0482350401	2
11	I.S. PLATEN	0482370460	1
12	DDC. SENSOR ASM.	6942002100	1
13	MOTOR	0482370310	1
14	IMAGE SENSOR ASM.(DYNA)	0482379262	1
15	COVER SW. & CABLE ASM.	0482358185	1
16	TAPPING SCREW (M2,3X10)	7190050202	1
17	TAPPING SCREW (M3X8)	7190050305	1
18	SPECIAL SCREW	0482301068	2
19	COMPRESSION SPRING	0482370335	1

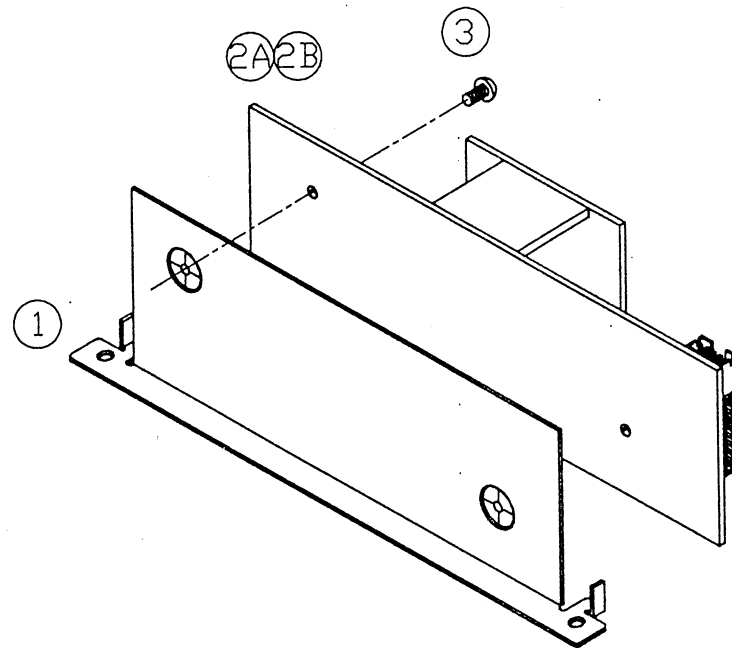
DRAWING 6: BOTTOM COVER ASM.



ITEM	NAME	B/M NUMBER	Q'TY
1	BOTTOM COVER	0482373106	1
2	N.C.U BOARD ASM.(FCC)	0482373810	1
3	MAIN BOARD ASM.	0482373020	1
4	POWER INLET ASM	0482379405	1
5	EPROM ASM(FCC)	0482374800	1
6	RUBBER LEG	0482350250	2
7	TEL JACK LABEL	0482373500	1
8	ESD INSULATED SHEET	0482373497	1

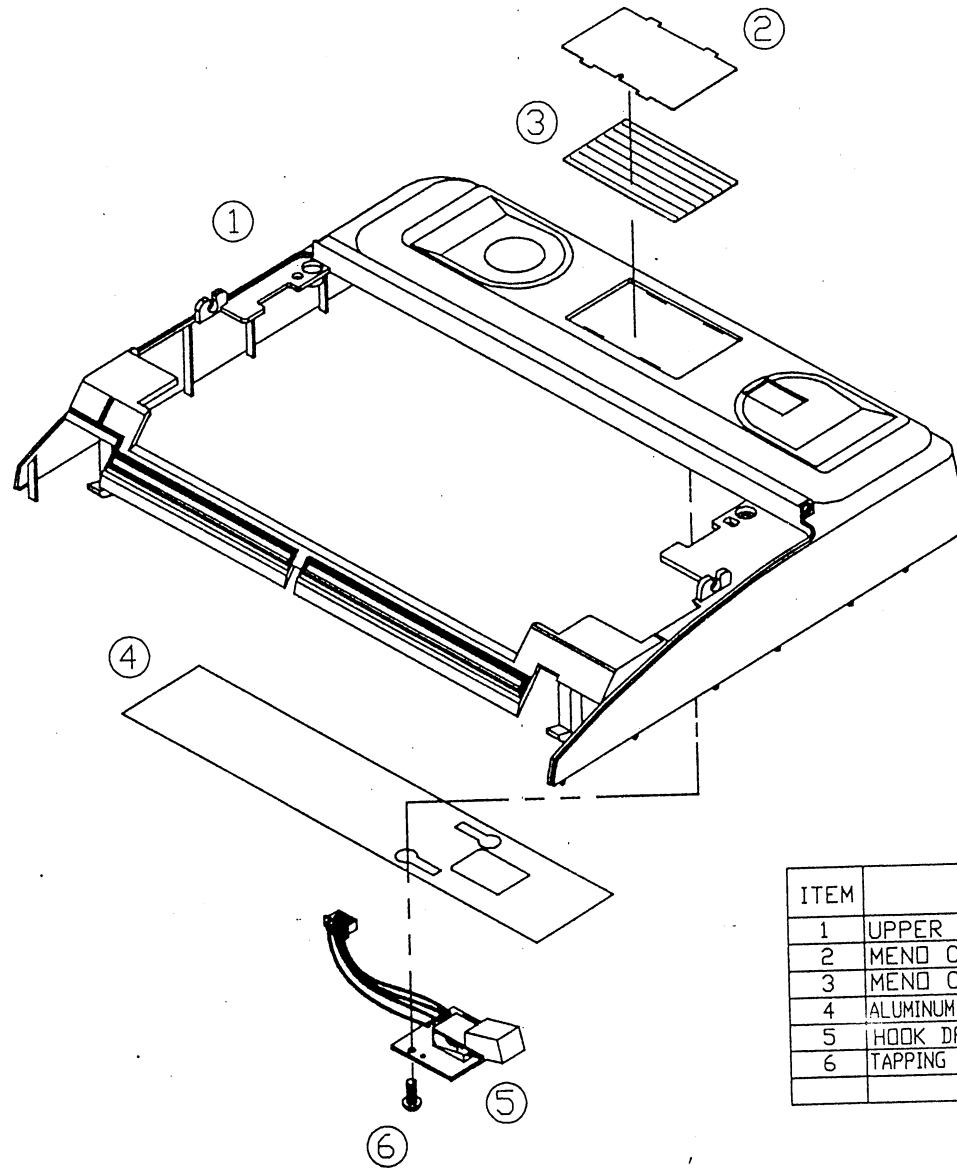
PS:OKI360(TF-34TR)

DRAWING 7: TEL.M/B PCB UNIT



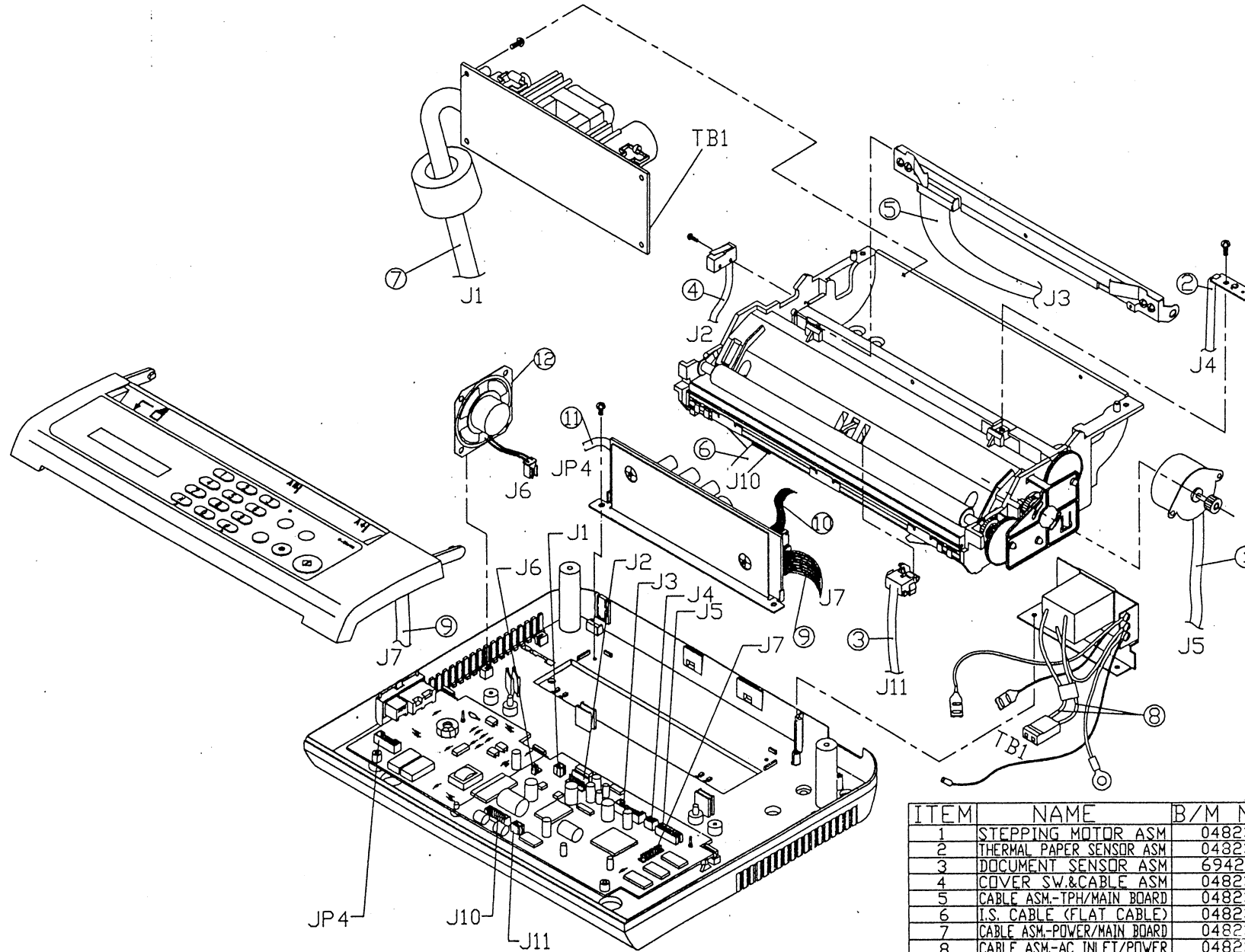
ITEM	NAME	B/M NUMBER	Q'TY	NOTE
1	TEL. PLATE	0482373499	1	
2A	TEL.M/B PCB ASM.	0482373865	1	FCC
2B	TEL.M/B PCB ASM.	0482373867	1	UK
3	TAPTITE SCREW(M3X5)	7131160552	2	

DRAWING 4: UPPER COVER ASM



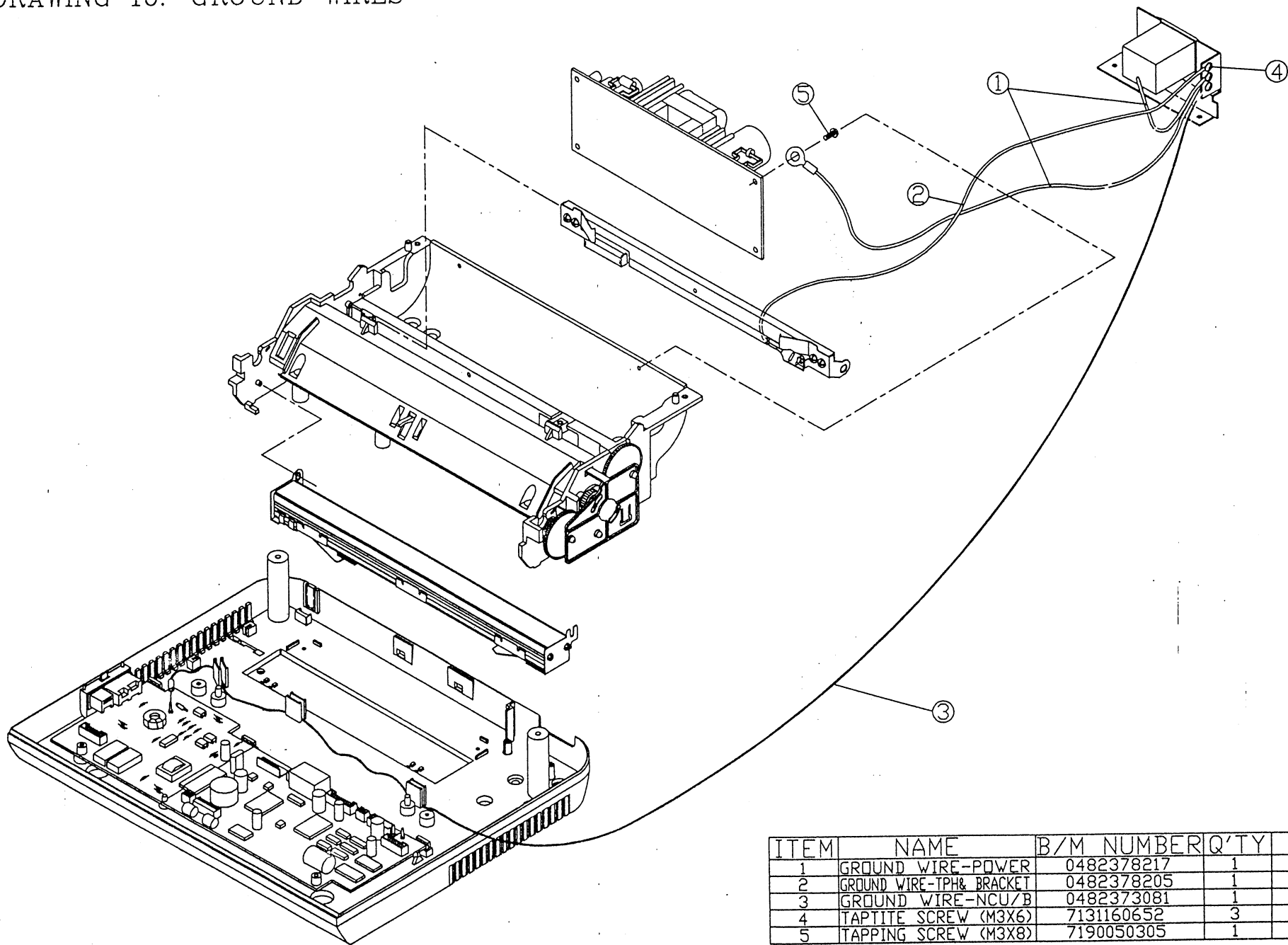
ITEM	NAME	B/M NUMBER	Q'TY	NOTE
1	UPPER COVER	0482373101	1	
2	MEND CARD COVER	0482352010	1	
3	MEND CARD	0482373505	1	
4	ALUMINUM COOLING CHEET	0482373498	1	
5	HOOK DPDP ASM.(6PIN)	0482373075	1	
6	TAPPING SCREW(M2.3X6)	7131100682	2	

DRAWING 9: CABLES



ITEM	NAME	B/M NUMBER	Q'TY	NOTE
1	STEPPING MOTOR ASM	0482370310	1	
2	THERMAL PAPER SENSOR ASM	0482378209	1	
3	DOCUMENT SENSOR ASM	6942002100	1	
4	COVER SW.&CABLE ASM	0482358185	1	
5	CABLE ASM-TPH/MAIN BOARD	0482378200	1	
6	I.S. CABLE (FLAT CABLE)	0482358213	1	DYNA
7	CABLE ASM-POWER/MAIN BOARD	0482378212	1	
8	CABLE ASM-AC INLET/POWER	0482373080	1	
9	CABLE ASM-K/B-TEL./B-M/B	0482373061	1	
10	CABLE ASM-TEL./B-HOOK/SW	0482373064	1	
11	CABLE ASM-TEL./B-NCU/B	0482373062	1	
12	SPEAKER ASM.	0482338350	1	

DRAWING 10: GROUND WIRES



ITEM	NAME	B/M NUMBER	Q'TY	NOTE
1	GROUND WIRE-POWER	0482378217	1	
2	GROUND WIRE-TPH& BRACKET	0482378205	1	
3	GROUND WIRE-NCU/B	0482373081	1	
4	TAPTITE SCREW (M3X6)	7131160652	3	
5	TAPPING SCREW (M3X8)	7190050305	1	