

# OEL Recommended Spare Parts List

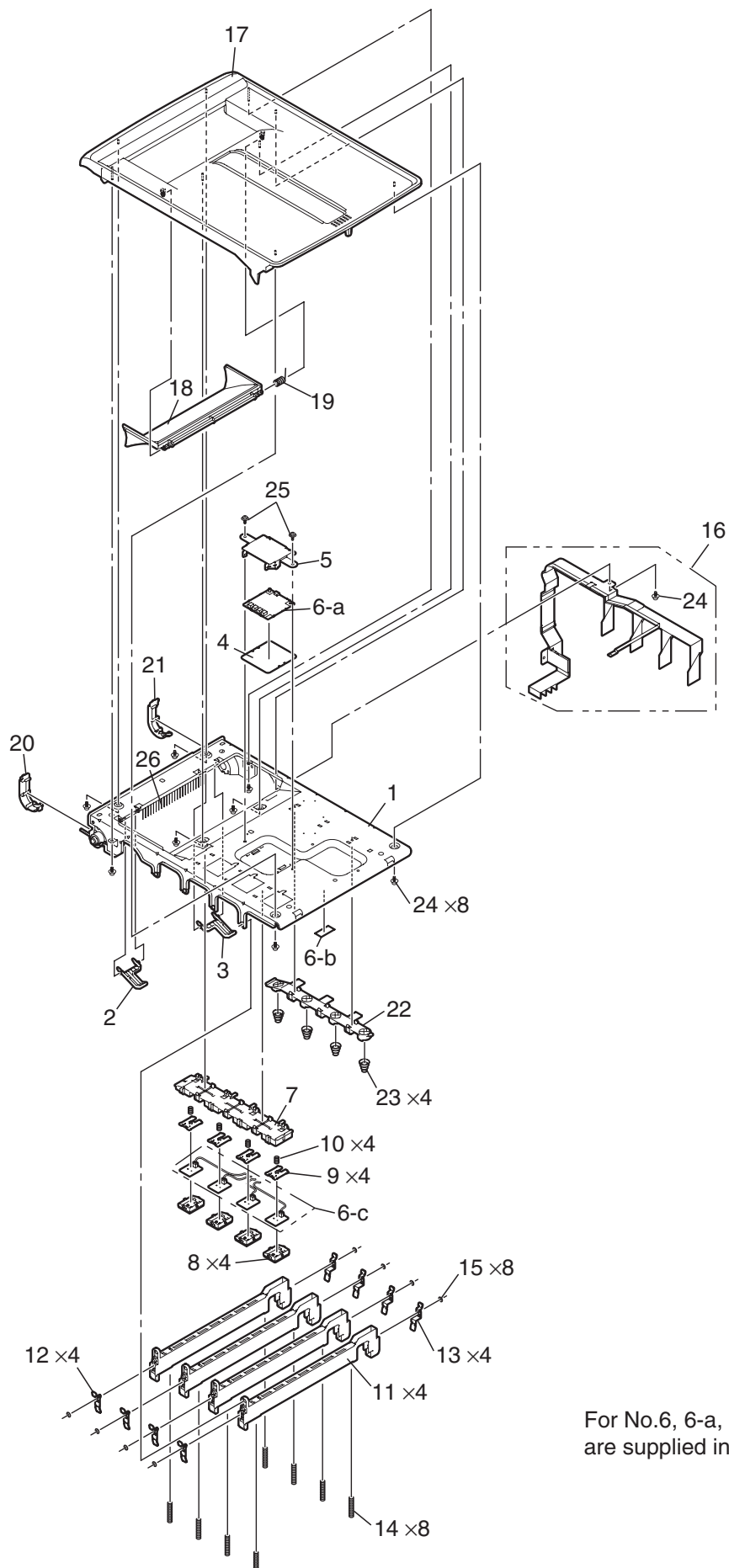
C3300/C3400/C3450



Revision 8

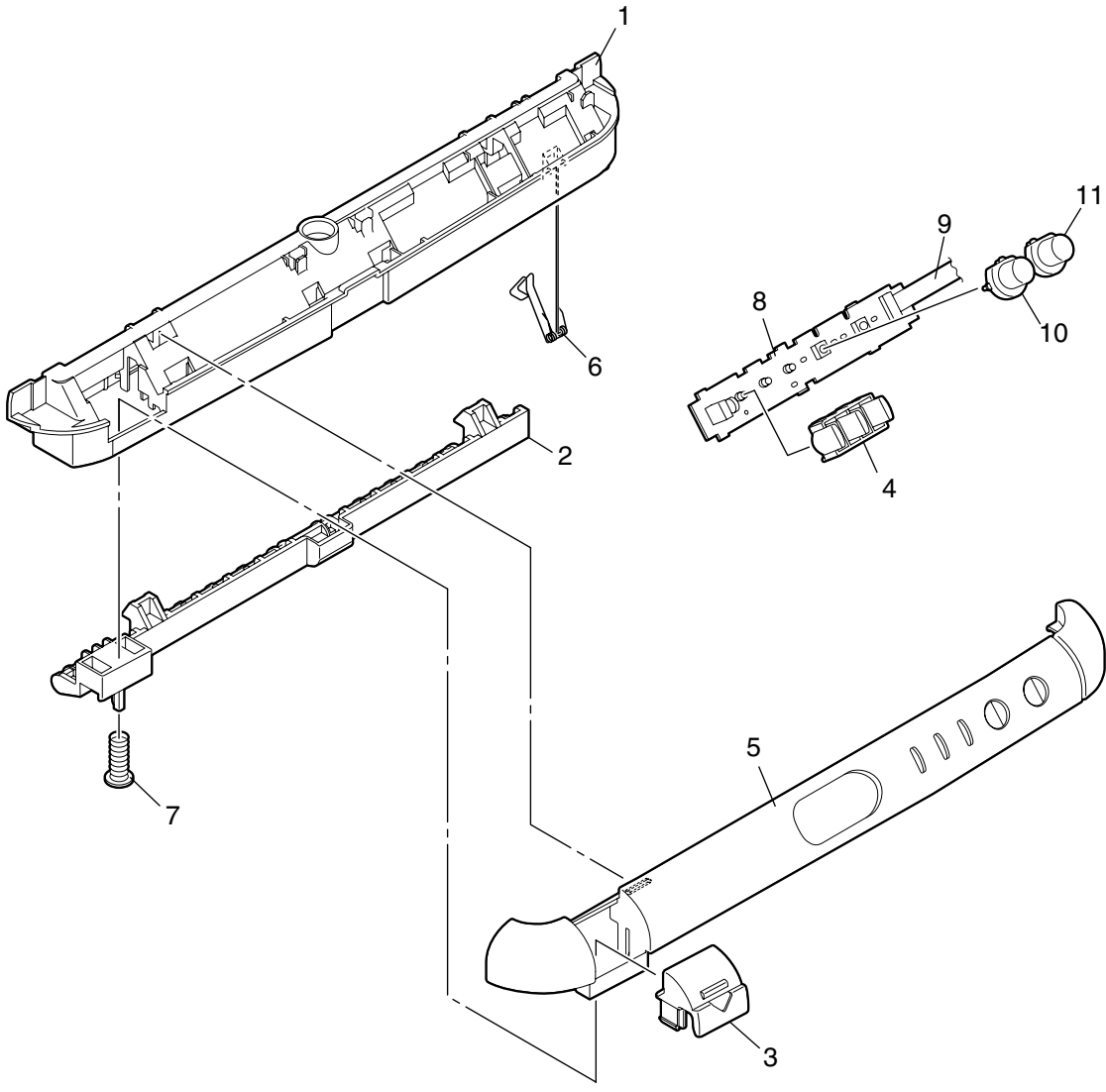


# Top-Cover-Assy



For No.6, 6-a, 6-b and 6-c are supplied in one set.

# Control-Panel-Assy



Feeder\_Unit

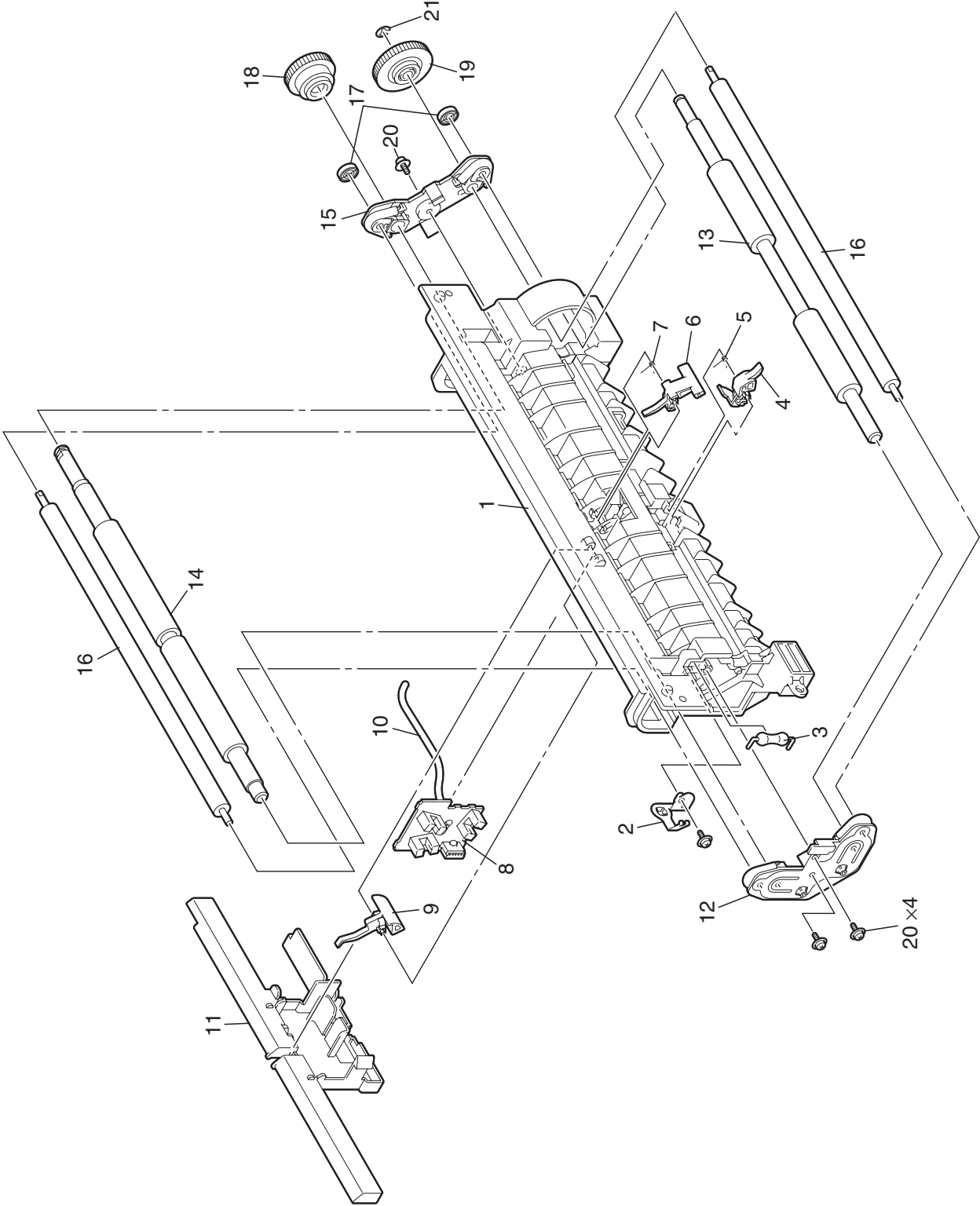


Plate Assy-Side\_R

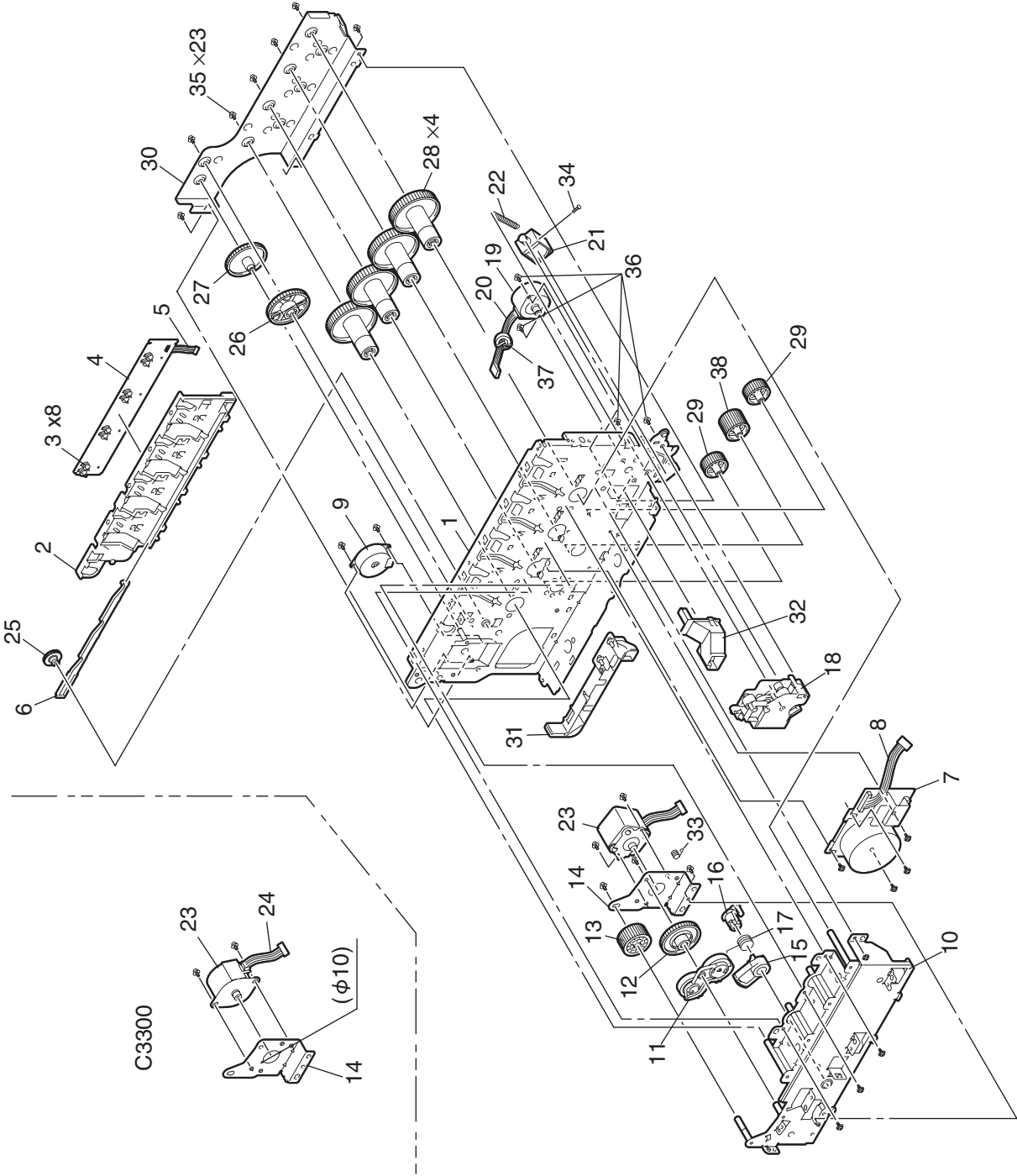
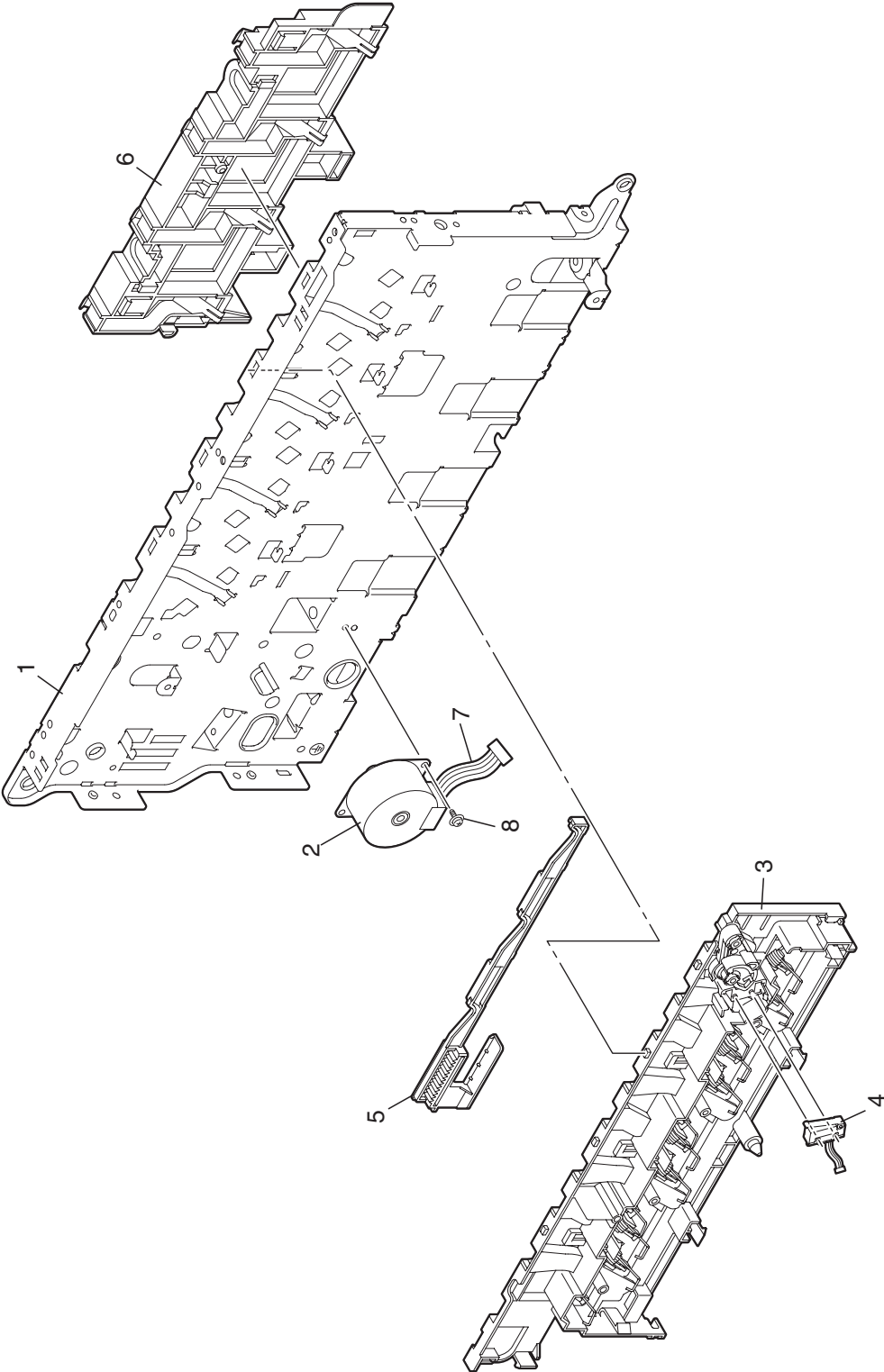
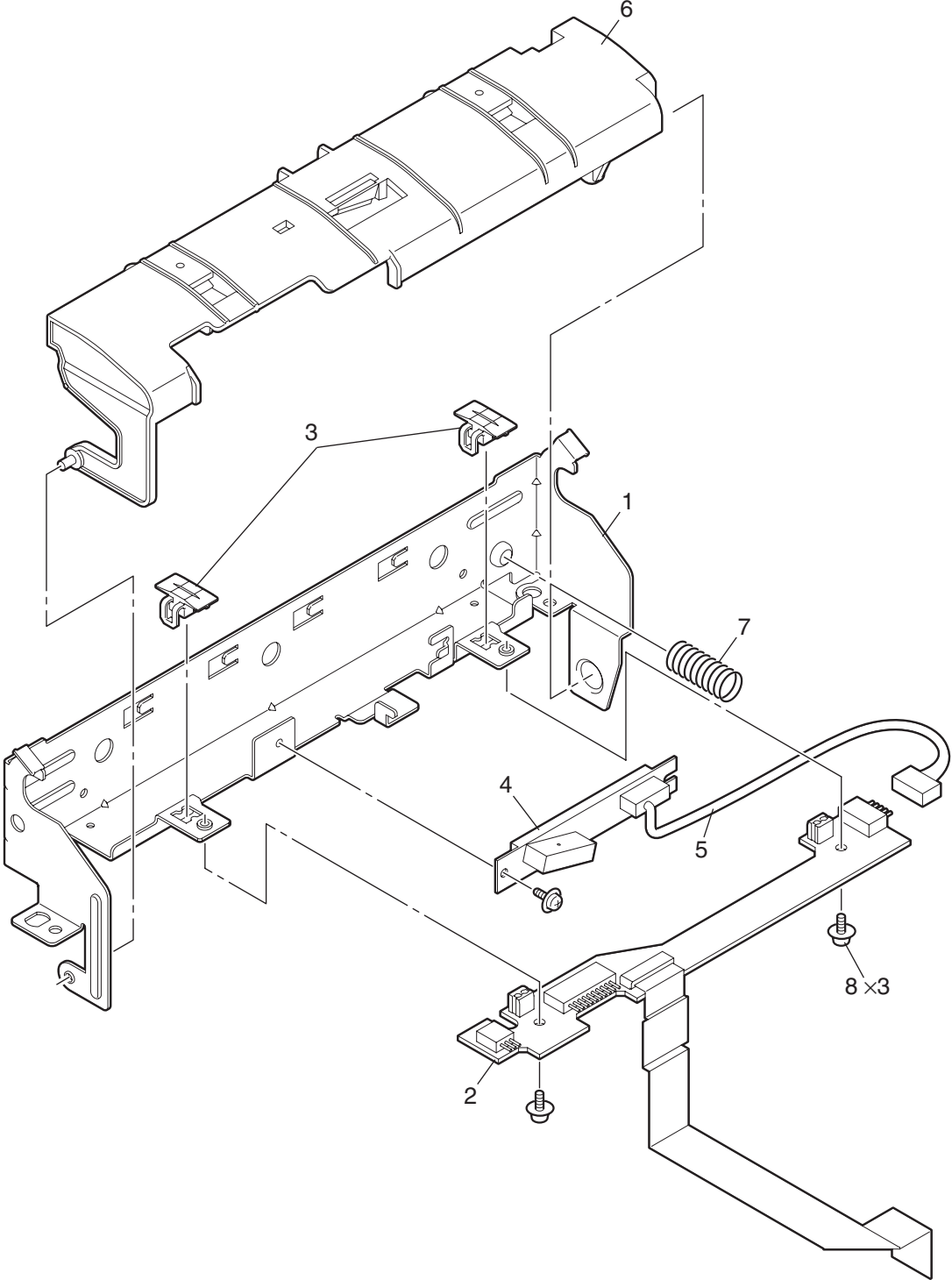


Plate Assy-Side\_L

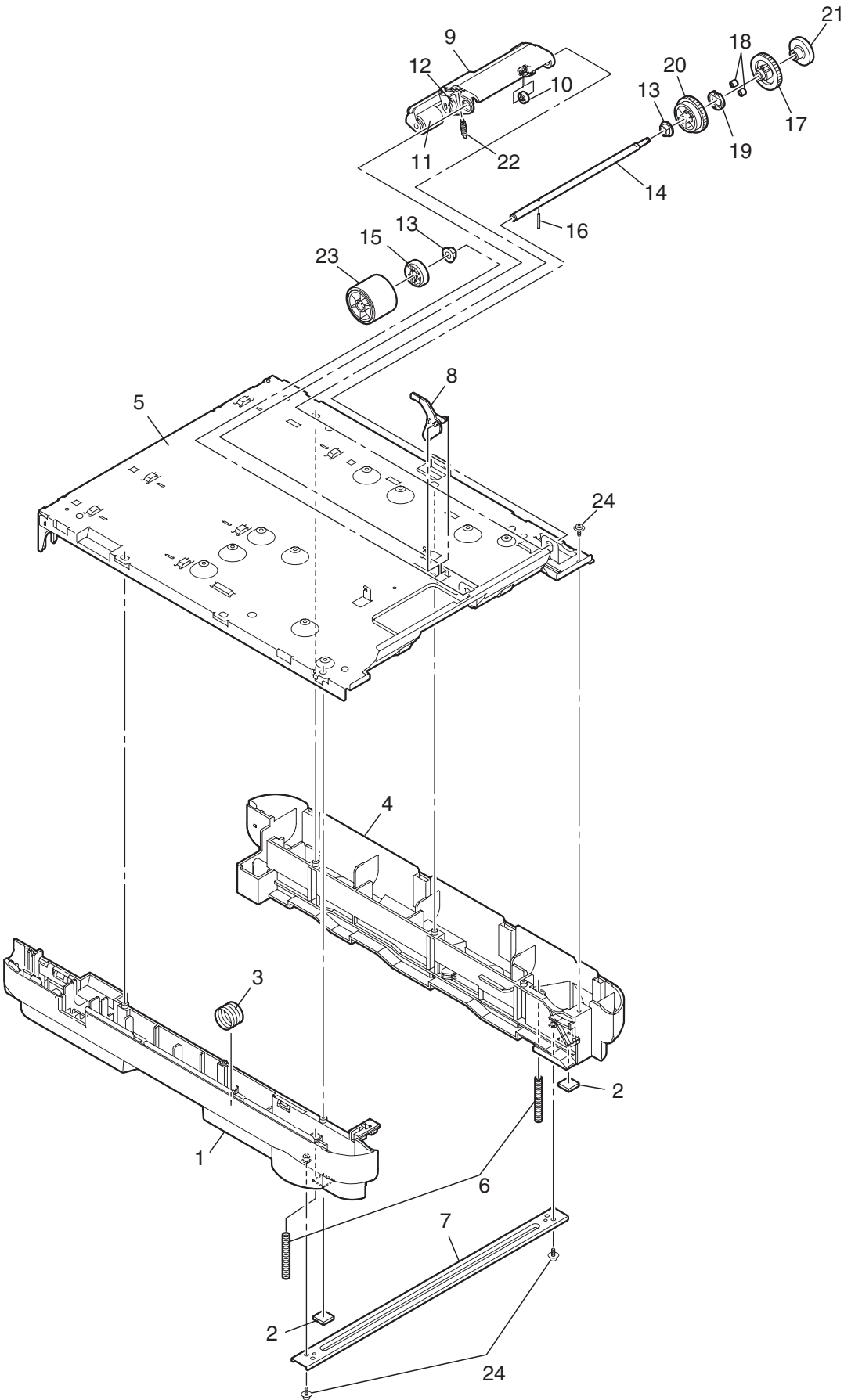


Sensor\_Assy-Color\_Regist

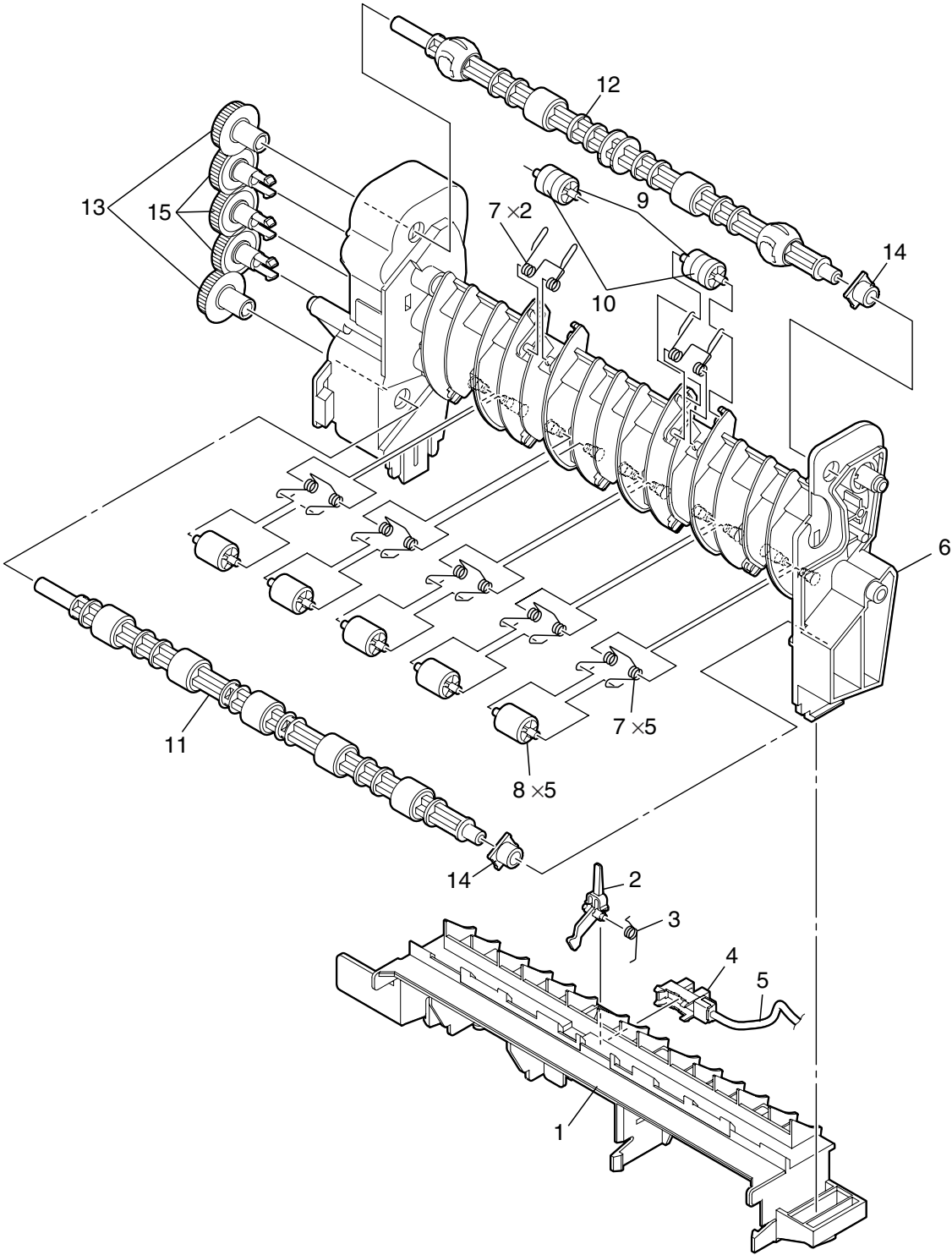




**Base-Assy**



# Eject-Assy



Unit Name	No.	Part No.	Part Name	Q'ty /Unit	Recommended Q'ty/Year			Remarks	Del/ Add	Remarks for environment
					per 500	per 1000	per 2000			
C3400/3300	2	43208101	Frame-Assy.-OP(PX732)	1	2	4	8	ODA,OEL,AOS		-
C3400/3300	13	43192201	Plate Assy.-Base	1	2	4	8			-
C3400/3300	14	43192601	Cassette-Assy	1	1	2	4			-
C3400/3300	15	42088801	Frame-Separation-Assy.	1	3	6	12			-
C3400/3300	16	42089001	Spring-Separation	1	3	6	12			-
C3400/3300	17	43194101	Plate Assy-Side-R(PX732n)	1	2	4	8	C3400		-
C3400/3300	17	43194102	Plate Assy-Side-R(PX732Ln)	1	2	4	8	C3300		-
C3400/3300	18	43200101	Plate Assy-Side-L(PX732)	1	2	4	8			-
C3400/3300	19	43362201	ACINLET-SW-JST3P	1	1	2	4	ACINLET-SWCord		-
C3400/3300	21	43361901	CONN Cord-HRS12P-JST3P-MOLEX10P	1	1	2	4	HeaterAC/IFCord		-
C3400/3300	22	42062401	Gear-Idle-Belt(Z20-121)	1	1	2	4			-
C3400/3300	23	43206101	Eject Assy.(PX732)	1	2	4	8	C3400		-
C3400/3300	23	43206102	Eject Assy.(PX732Ln)	1	2	4	8	C3300		-
C3400/3300	24	43204101	Sensor Assy.-Color-Regist(PX732)	1	2	4	8			-
C3400/3300	25	2381028P0032	SMCD-17-210BD(1.0)	1	2	4	8	RearSensor_FFC		-
C3400/3300	26	43214301	Spring-Torsion(L)	1	1	2	4			-
C3400/3300	27	43214401	Spring-Torsion(R)	1	1	2	4			-
C3400/3300	28	43207401	Shaft-Liftup	1	1	2	4			-
C3400/3300	29	42060701	Bush	1	1	2	4			-
C3400/3300	30	42066701	Gear-Planet-UP-L	1	1	2	4			-
C3400/3300	33	43209301	Feeder-Assy.-Regist	1	2	4	8			-
C3400/3300	34	43035201	PWR unit-High Voltage Purchase spec.	1	2	4	8	HighVoltage		-
C3400/3300	35	2381028P0034	SMCD-12-180BD(1.0)	1	2	4	8	HighVoltage_FFC		-
C3400/3300	36	43505401	PWR unit-ACDC Switch	1	2	4	8	230V		-
C3400/3300	37	43198901	Motor-FAN(80)	1	1	2	4	FUSER		-
C3400/3300	38	43087201	BLA-1 PCB-Assy. Maintance Spec.	1	2	4	8	C3400Board-PUCU		-
C3400/3300	38	43087202	BLA-2 PCB-Assy. Maintance Spec.	1	2	4	8	C3300Board-PUCU		-
C3400/3300	38	43087203	BLA-1 PCB-Assy. Maintance Spec.	1	2	4	8	C3450Board-PUCU		-
C3400/3300	40	43215201	Cover-Rear	1	1	2	4			-
C3400/3300	41	43215301	Cover-FaceUP	1	1	2	4			-
C3400/3300	42	43215401	Cover-FaceUP-Sub	1	1	2	4			-
C3400/3300	43	43215601	Cover-Side(R)	1	1	2	4			-
C3400/3300	44	43215501	Cover-Side(L)	1	1	2	4			-
C3400/3300	45	43209201	Cover-Front	1	1	2	4			-
C3400/3300	46	43210701	Cover-Assy.-ManualFeed	1	1	2	4	C3400 ODA, OEL, AOS, CHN, TWN, KOREA		-
C3400/3300	46	43210702	Cover-Assy.-ManualFeed	1	1	2	4	C3400 JPN / C3300		-
C3400/3300	47	43324601	Lever-Assy.-Front-Lock	1	1	2	4	600DPI		-
C3400/3300	48	43295201	LED Head Unit-51STA	4	2	4	8			-
C3400/3300	49	43197201	Plate-Lockout-ID	1	1	2	4			-
C3400/3300	56	43215701	Cover-Rear-Bottom	1	1	2	4			-
Top-Cover-Assy	2	43214801	Lever-Stack-L	1	1	2	4	C3400		-
Top-Cover-Assy	3	43214901	Lever-Stack-R	1	1	2	4	C3400		-
Top-Cover-Assy	6	43508801	RFID-UNIT Assy.-(Maintenance)	1	2	4	8	Board-RFIDR/W, Concurrent;a,b,c		-
Top-Cover-Assy	11	43212901	Holder-Head(SH)	4	1	2	4			-
Top-Cover-Assy	12	43213001	Plate-FG-Head-L(SH)	4	1	2	4			-
Top-Cover-Assy	13	43213101	Plate-FG-Head-R(SH)	4	1	2	4			-
Top-Cover-Assy	15	43501005	Push-Nut(SPN-2.6 A.C.P)	8	1	2	4			-
Top-Cover-Assy	16	43213301	Cable-Assy.-Head	1	1	2	4	LED-HEAD-FFC RFID-FFC		-
Top-Cover-Assy	17	43214001	Cover-Top	1	1	2	4			-
Top-Cover-Assy	18	43214101	Cover-Top(Sub)	1	1	2	4			-
Top-Cover-Assy	20	43214501	Cover-Hinge(L)	1	1	2	4			-
Top-Cover-Assy	21	43214601	Cover-Hinge(R)	1	1	2	4			-
Control-Panel-Assy	8	43135001	OR-Board-WHI	1	2	4	8	Board-Opepanel		-
Control-Panel-Assy	9	2381028P0031	SMCD-7-400BD(1.0)	1	2	4	8	OperationPanel_FFC		-
Feeder_Unit	8	43135401	OR-Board-MIP	1	2	4	8	Board-FrontSensor		-
Feeder_Unit	10	43361401	CONN Cord-AMP5P-AMP5P	1	1	2	4	FrontSensorCord		-
Feeder_Unit	11	43209601	Cover-SNS	1	1	2	4			-
Plate Assy-Side_R	4	43614901	OR-Board-PRS	1	2	4	8	Board-TonerSensor		-
Plate Assy-Side_R	5	2381028P0030	SMCD-10-280BD(1.0)	1	2	4	8	TonerSensor_FFC		-
Plate Assy-Side_R	7	43195101	Motor-DC-ID-M58	1	1	2	4			-
Plate Assy-Side_R	8	43361601	CONN Cord-AMP10P-AMP10P	1	1	2	4	DC-IDMotorCord		-
Plate Assy-Side_R	9	43353101	OR-Motor-Pulse-Liftup	1	1	2	4			-
Plate Assy-Side_R	11	43196201	Gear Assy.-Planet	1	1	2	4	Fuser周边		-
Plate Assy-Side_R	12	43196601	Gear-Idle-Heat(Z14-102)	1	1	2	4	Fuser周边		-
Plate Assy-Side_R	13	43196701	Gear-Idle-Z35	1	1	2	4	Fuser周边		-
Plate Assy-Side_R	19	43353001	OR-Motor-Pulse-HOP	1	1	2	4			-
Plate Assy-Side_R	20	43361501	CONN Cord-AMP4P-AMP4P	1	1	2	4	HoppingMotorCord		-
Plate Assy-Side_R	21	42058303	Solenoid	1	1	2	4			G
Plate Assy-Side_R	23	43197801	Motor-Pulse-Fuser	1	1	2	4	C3400		-

Unit Name	No.	Part No.	Part Name	Q'ty /Unit	Recommended Q'ty/Year			Remarks	Del/ Add	Remarks for environment
					per 500	per 1000	per 2000			
Plate Assy-Side_R	23	43352101	OR-Motor-Pluse-Fuser	1	1	2	4	C3300		-
Plate Assy-Side_R	24	43362301	CONN Cord-JST4P-JST4P	1	1	2	4	C3300HeaterMotorCord		-
Plate Assy-Side_L	2	43352901	OR-Motor-Pulse-Belt	1	1	2	4			-
Plate Assy-Side_L	4	43415601	Microswitch Assy.-PX732	1	2	4	8	CoverOpenSwitchAssy		-
Plate Assy-Side_L	5	43201001	Link-LiftUp-L	1	1	2	4			-
Plate Assy-Side_L	7	43361502	CONN Cord-AMP4P-AMP4P	1	1	2	4	BeltMotorCord		-
Sensor_Assy-Color_Regist	2	43135301	OR-Board-ZAK	1	2	4	8	Board-RearSensor		-
Sensor_Assy-Color_Regist	4	5654200P0001	GP2TC2J000F	1	3	6	12	DensitySensor		G
Sensor_Assy-Color_Regist	5	43361701	CONN Cord-MOLEX5P-MOLEX5P	1	1	2	4	DensitySensorCord		-
Base-Assy	11	43334801	Roller Assy.-Sub	1	1	2	4			-
Base-Assy	23	43334901	Roller Assy.-Hopping	1	1	2	4			-
Eject-Assy	2	43206401	Lever-Eject-Sensor	1	1	2	4			-
Eject-Assy	4	40135301	Photo-Interrupter	1	1	2	4	ExitSensor		G
Eject-Assy	5	43361801	CONN Cord-AMP3P-AMP3P	1	1	2	4	ExitSensorCord		-
Eject-Assy	10	43649701	Sponge-Roller-FD	2	2	4	8			-
Eject-Assy	11	43206901	Shaft Assy.-Eject(FU)	1	1	2	4			-
Eject-Assy	12	43207201	Shaft Assy.-Eject(FD)	1	1	2	4	C3400		-
Eject-Assy	12	43207202	Shaft Assy.-Eject(FD)	1	1	2	4	C3300		-