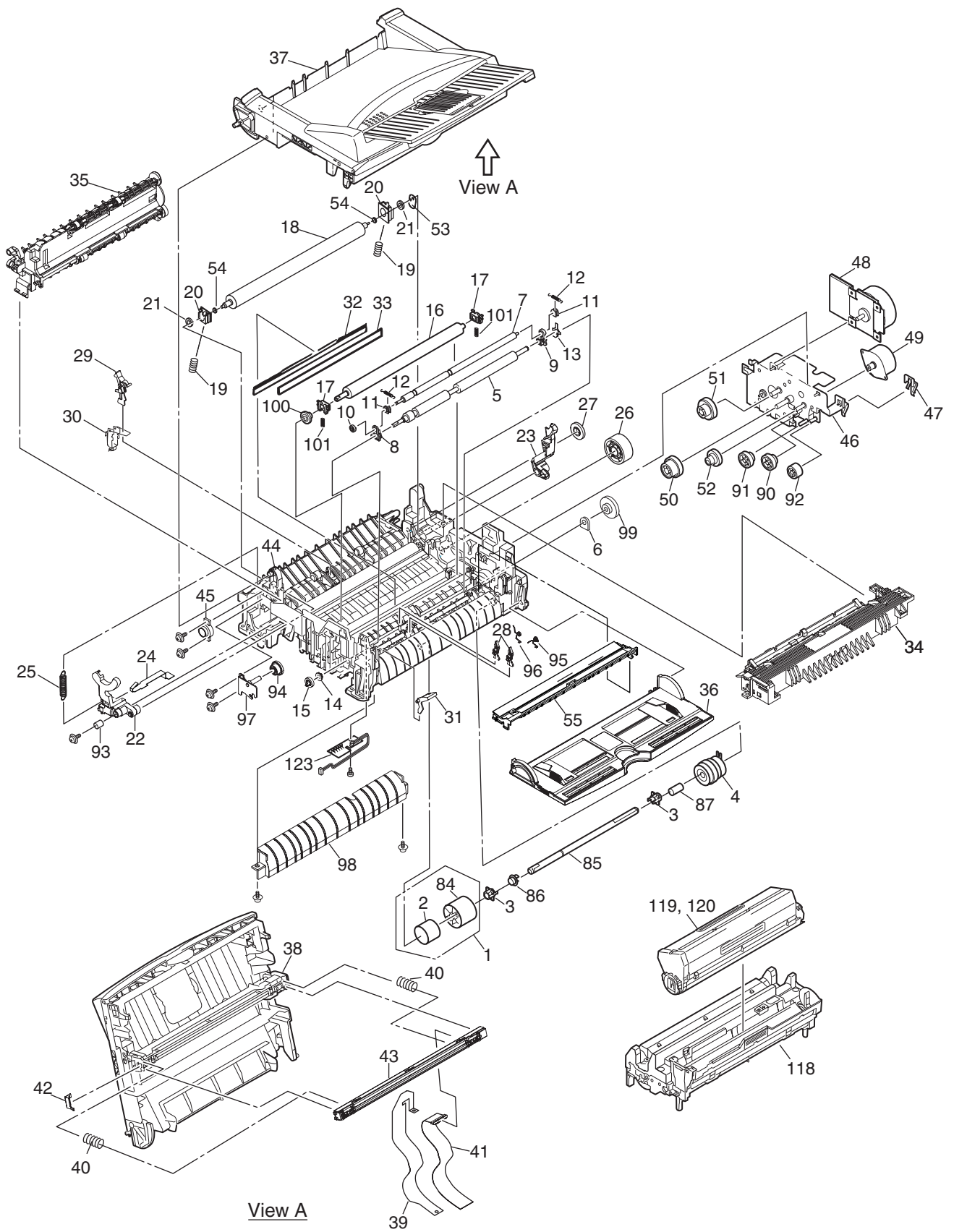


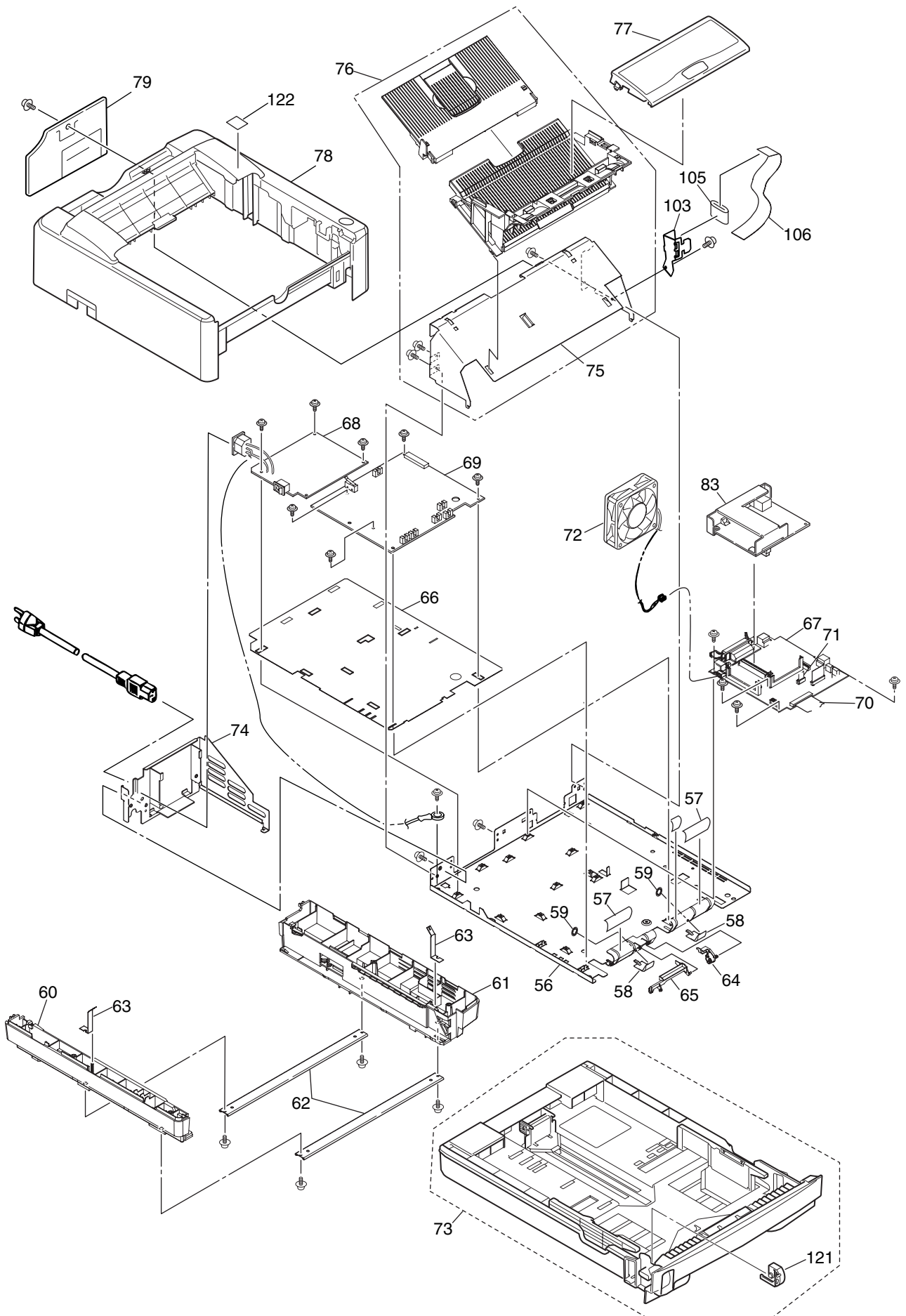
# OEL Recommended Spare Parts List

B4600



Revision 12





Rev	Unit Name	No.	Part No.	Part Name	Q' ty /Unit	Recommended Q' ty/Year			Remarks	Special (New Parts:*)	Del/ Add	Remarks for environmen t
						per 500	per 1000	per 2000				
B4600		1	43653501	Roller Assy. -HOP	1	3	6	12		*		
B4600		2	43238401	Roller-Hopping	1	3	6	12		*		
B4600		3	43329501	Bearing-Hopping	2	6	12	24		*		
B4600		4	43400201	Gear Assy. -Clatch	1	3	6	12		*		
B4600		5	42174301	Roller-Regist	1	3	6	12				
B4600		6	PP4083-6031P001	BEARING R	1	3	6	12				
B4600		7	43400501	Roller-Pressure	1	3	6	12		*		
B4600		8	41279501	Holder-Regist L	1	3	6	12				
B4600		9	41279601	Holder-Regist R	1	3	6	12				
B4600		10	41279801	Gear-Pressure	1	3	6	12				
B4600		11	41279401	Bearing-Pressure	2	6	12	24				
B4600		12	41281201	Spring-Tension	2	6	12	24				
B4600		13	41280401	Plate-Contact PA	1	3	6	12				
B4600		14	41279301	Bearing-Regist L	1	3	6	12				
B4600		15	41279701	Gear-Regist	1	3	6	12				
B4600		16	43979601	Roller-Transfer (282)	1	3	6	12		*		
B4600		17	43330101	Bearing-TR	2	6	12	24		*		
B4600		18	43468201	Roller-Backup	1	3	6	12		*		
B4600		19	41584101	Spring-Bias	2	6	12	24				
B4600		20	43448601	Holder-BU	2	6	12	24		*		
B4600		21	41584201	Bearing-Ball	2	6	12	24				
B4600		22	43614001	Lever-Assy. -Reset_L	1	3	6	12		*		
B4600		23	PP4083-6054P001	RESET LEVER R	1	3	6	12				
B4600		24	42551201	Arm-Switch	1	3	6	12				
B4600		25	PP4083-6057P001	RESET SPRING	1	3	6	12				
B4600		26	43329001	Gear-HT	1	3	6	12		*		
B4600		27	PP4083-6081P001	IDLE GEAR C	1	3	6	12				
B4600		28	PP4083-6083P001	SENSOR PLATE (IN)	2	6	12	24				
B4600		29	43758301	Sensor Assy. - Lever_Eject	1	3	6	12				
B4600		30	41027701	Sensor Wire Assembly	1	3	6	12				
B4600		31	42468801	Sensor-Toner (Adhesive)	1	3	6	12				
B4600		32	43979801	Sheet-Discharge	1	3	6	12	ECO-B4400-012	*		
B4600		33	PB4083-6089P001	DISELECTRIFICATION FILM	1	3	6	12				
B4600		34-b	43435702	Heat Assy.	1	10	20	40	230V	*		
B4600		35	40772503	Roller Assy. -Eject	1	3	6	12		*		
B4600		36-a	42145708	Cover Assy. -Front	1	3	6	12		*		
B4600		37-a	43521501	Cover Assy. -Stacker	1	3	6	12	B4600, B4600L, B4550	*		
B4600		37-c	43540501	Cover Assy. -Stacker (L)	1	3	6	12	B4500	*		
B4600		38-a	43330801	Holder-Head	1	3	6	12		*		
B4600		39	43401501	Film-FG	1	3	6	12		*		

Rev	Unit Name	No.	Part No.	Part Name	Q' ty /Unit	Recommended Q' ty/Year			Remarks	Special (New Parts:*)	Del/ Add	Remarks For environment
						per 500	per 1000	per 2000				
	B4600	40	43467601	Spring-Head	2	6	12	24		*		
	B4600	41	2381031P0008	TW-VF-24-01X06-272	1	5	10	20		*		
	B4600	42	43330901	Contact-Head	1	3	6	12		*		
	B4600	43	43406901	LED Head Unit-51STB	1	5	10	20		*		
	B4600	44	43435301	Frame Subassy. -Lower	1	3	6	12		*		
	B4600	45	42596601	Damper-Oil	1	3	6	12				
	B4600	46	43328701	Bracket-Motor_Caulking	1	3	6	12		*		
	B4600	47	43329401	Plate-FG_HP	1	3	6	12		*		
	B4600	48	43400001	Motor-DC (Main)	1	3	6	12		*		
	B4600	49	43400101	Motor-Pulse (Regist)	1	3	6	12		*		
	B4600	50	43328901	Gear-M3	1	3	6	12		*		
	B4600	51	43328801	Gear-M2	1	3	6	12		*		
	B4600	52	43329101	Gear-R2	1	3	6	12		*		
	B4600	53	PP4120-1210P001	WASHER C	1	3	6	12				
	B4600	54	43448701	Collar	2	6	12	24		*		
	B4600	55	43435601	Guide-Paper R (Adhesive)	1	3	6	12		*		
	B4600	56	43434801	Plate Assy. -Base	1	3	6	12		*		
	B4600	57	YC4061-5115P001	POLYETHYLENE TAPE	2	6	12	24	L=90mm			
	B4600	58	40828301	Guide-PaperH	2	6	12	24				
	B4600	59	PB4013-3501P002	CS-RING (CS3-SUS)	2	6	12	24				
	B4600	60-a	43517901	Guide-Cassette L Assy.	1	3	6	12		*		
	B4600	61-a	43435101	Guide-Cassette R Assy.	1	3	6	12		*		
	B4600	62	PP4083-7660P001	BEAM PLATE	2	6	12	24				
	B4600	63	43330501	Plate-FG_Beam	2	6	12	24		*		
	B4600	64	PP4083-7667P001	PAPER END SENSOR LEVER	1	3	6	12				
	B4600	65	PP4083-6154P001	CASSETTE DETECTION LEVER	1	3	6	12				
	B4600	66	43401701	Insulater	1	3	6	12		*		
12	B4600	67-a	43442838	Board-GSA	1	5	10	20	B4600, ODA/OEL/AOS, ECO-B4400-020 (SN8-0271)	*	A	
12	B4600	67-d	43442839	Board-GSA	1	5	10	20	B4600L, OEL, ECO-B4400-020 (SN8-0271)	*	A	
	B4600	68-b	43113101	PN282PowerSupplyUnit (220-240V)	1	5	10	20	B4600, B4600L, 230V	*		
	B4600	69	43348501	PCB Assy. -HLC	1	5	10	20		*		
	B4600	70	2381015P0003	TW-VF-30-0. 1X0. 8-75	1	5	10	20				
	B4600	71	43275301	JST14P-JST6P, JST8P	1	5	10	20		*		
	B4600	72	43400301	Motor-Fan	1	3	6	12		*		
	B4600	73-a	42209608	Cassette Assy. -Paper	1	3	6	12		*		
	B4600	74	42146201	Plate-Guide	1	3	6	12				
	B4600	75	42146901	Plate-Shield	1	3	6	12				
	B4600	76-a	42146803	Stacker Assy. -FU	1	3	6	12		*		
	B4600	77-b	43521002	Frame Assy. -OP Panel	1	3	6	12	OEL B4600	*		
	B4600	77-f	43521009	Frame Assy. -OP Panel	1	3	6	12	OEL B4600L	*		

Rev	Unit Name	No.	Part No.	Part Name	Q' ty /Unit	Recommended Q' ty/Year			Remarks	Special (New Parts:*)	Del/ Add	Remarks for environmen t
						per 500	per 1000	per 2000				
	B4600	78-a	43520901	Cover Assy. -Upper	1	3	6	12		*		
	B4600	79-a	42129605	Cover-IF	1	3	6	12		*		
	B4600	83	42264116	Board-I/F NIC	1	3	6	12	B4600, NetWork OEL B4600n	*		
	B4600	84	43329301	Boss-Hopping	1	3	6	12		*		
	B4600	85	43400601	Shaft-Hopping	1	3	6	12		*		
	B4600	86	43399601	Stopper-Hopping	1	3	6	12		*		
	B4600	87	43329901	Collar	1	3	6	12		*		
	B4600	90	43329601	Gear-HP1	1	3	6	12		*		
	B4600	91	43329801	Gear-HP2	1	3	6	12		*		
	B4600	92	43329701	Gear-HP3	1	3	6	12		*		
	B4600	93	43598801	Collar-Reset-Lever	1	3	6	12		*		
	B4600	94	PP4083-6194P001	DAMPER GEAR	1	3	6	12				
	B4600	95	42797101	Spring-Sensor_IN	1	3	6	12				
	B4600	96	41415801	Spring-WriteSensor	1	3	6	12				
	B4600	97	42679901	Plate-Damper (Culking)	1	3	6	12				
	B4600	98	42661401	Guide-Paper	1	3	6	12				
	B4600	99	42657701	Gear-Reg (one-way)	1	3	6	12				
	B4600	100	43330001	Gear-TR	1	3	6	12		*		
	B4600	101	43401401	Spring-TR	2	6	12	24		*		
	B4600	103	42849201	Film-Support (OP)	1	3	6	12				
	B4600	105	1051011C0002	FRC-25-20-5	1	3	6	12				
	B4600	106	2381004P0011	TW-VF-14-0.1X0.8-180	1	5	10	20				
	B4600	121	PP4122-1171P001	PAPER INDICATION LEVER	1	3	6	12		*		
	B4600	122	43553501	Label-Energy_Star	1	3	6	12	B4600L, B4550, B4500	*		
11	B4600	123	43534501	Board-TMA	1	5	10	20		*		