

# OP 12i

## 8. PARTS LIST

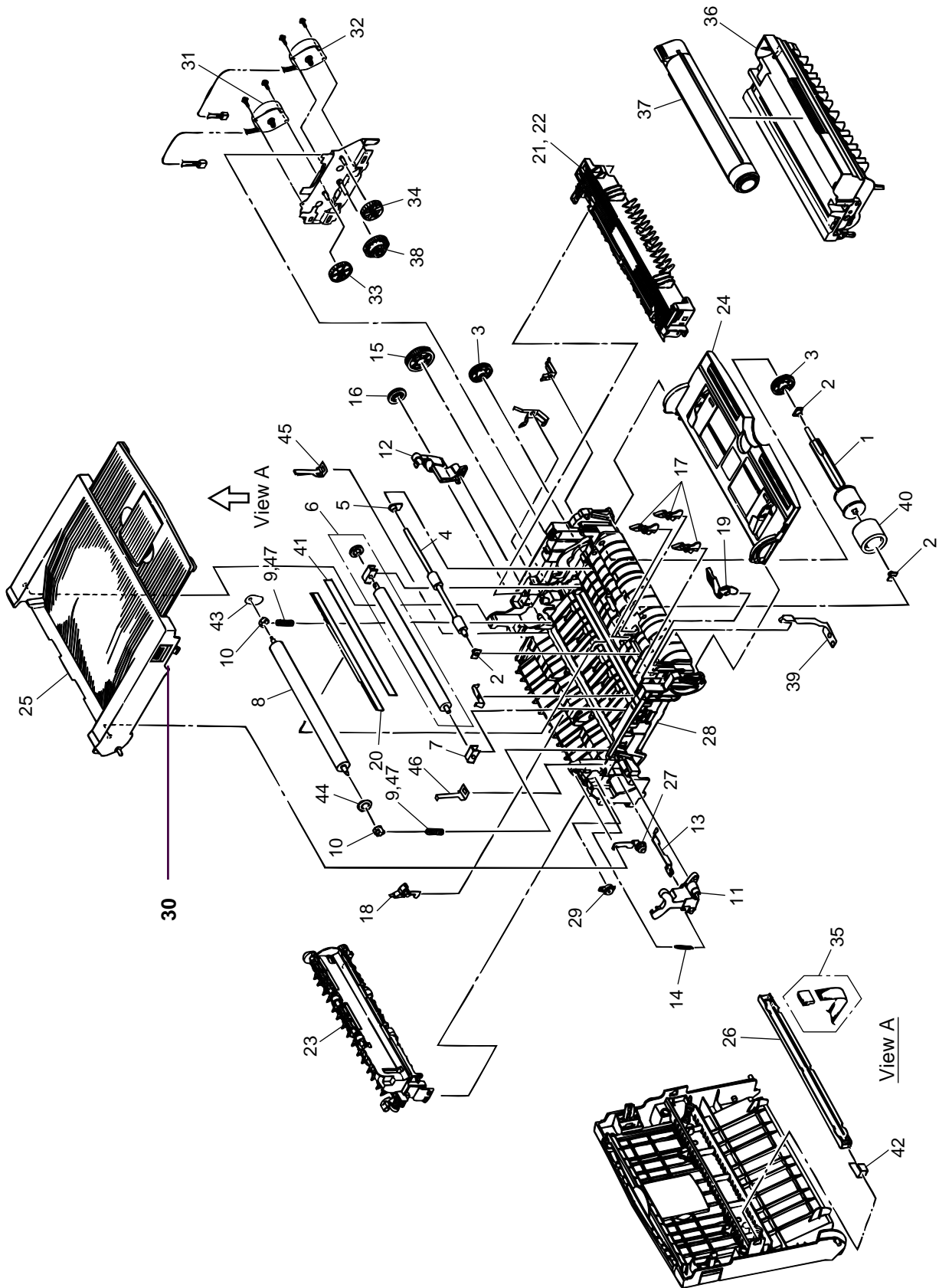


Figure 8-1 Lower Base Unit

# OP 12i

Table 8-1 Lower Base Unit (1/2)

No.	Name/Rating	Part No.	Use	Remarks	ODA Part No.
1	Hopping roller shaft	3PP4083-6020P1	1		51112601
2	Bearing	4PP4083-6022P2	4		51607402
3	Hopping roller one-way clutch gear	4PB4083-6024P1	2		51228901
4	Roller-Registration	40740601	1		
5	Bearing (registration)	4PP4083-6031P1	1		51607501
6	Roller-Transfer B Assy	40437801	1		
7	Bearing TR	40438001	1		
8	Roller-Back up	40739201	1		
9	Bias spring	4PP4083-7620P1	2		50925301
10	Back-up roller bushing	4PP4083-6052P1	2		51607601
11	Lever-Reset L	40581801	1		
12	Reset lever R	3PP4083-6054P1	1		50805901
13	Cover open switch arm	3PP4083-6058P1	1		53068901
14	Stacker cover reset spring	4PP4083-6057P1	1		50924201
15	Fuser roller idle gear	4PP4083-6080P1	1		51229101
16	Eject roller idle gear	4PP4083-6081P1	1		51229201
17	Sensor plate (inlet)	4PP4083-6083P1	3		51010701
18	Eject sensor lever Assembly	4PA4083-6025G1	1		51010801
19	Toner sensor (adhesion)	4PP4083-6086G1	1		50405501
20	Diselectrification bar	4PB4083-6979P1	1		
21	Heat Assy - OP10i	40470103	1	120V	
22	Heat Assy - OP10i	40470104	1	230V	
23	Roller assy-Eject	40772501	1		
24	Manual Feed Assy	40715501	1		
25	Stacker-Assy	40103803	1		
26	LED head unit - 51K	40521201	1		
27	Stacker cover damper arm	4PP4083-6191G1	1		53069101
28	Frame-Base lower	40771301	1		
29	Stacker cover damper	4PB4083-6197P1	1		51229401
30	Stacker Cover Knobs	3PP4128-1140P2	2		
31	Motor-Pulse (main)	40722201	1		
32	Motor-Pulse (regist)	40722301	1		
33	Gear-Idle A (Z60/16)	40778101	1		
34	Gear-Idle B (Z60/16)	40295101	1		
35	Cord-LED Assembly	40241702	1		
36	Image drum unit (Type 5)	40433305	1	ODA	
	Image drum unit (Type 5)	40433303	1	OEL/INT	
37	Toner Cartridge (Type 5)	40433203	1	Consumable(OEL/INT)	
38	Reduction gear	3PP4083-7617P1	1		

# OP 12i

Table 8-1 Lower Base Unit (2/2)

No.	Name/Rating	Part No.	Use	Remarks	ODA Part No.
39	FG plate (O.P.)	4PP4083-7663P1	1		
40	Rubber Hopping roller	4PB4076-5447P1	1		
41	Diselectrification Film	3PB4083-6089P1	1		
42	LED Contact	4PP4083-6173P1	1		
43	Washer C	4PP4120-1210P1	1		
44	Washer B	4PP4120-1209P1	1		
45	Spacer-Bearing R	40392801	1		
46	Spacer-Bearing L	40392901	1		
47	Bias Spring A	4PP4083-6065P001	2	Special parts for envelope *	

\* This part is countermeasure for envelope wrinkle and common part to bias spring A in OL400e. Both side springs must be exchanged at the same time.

# OP 12i

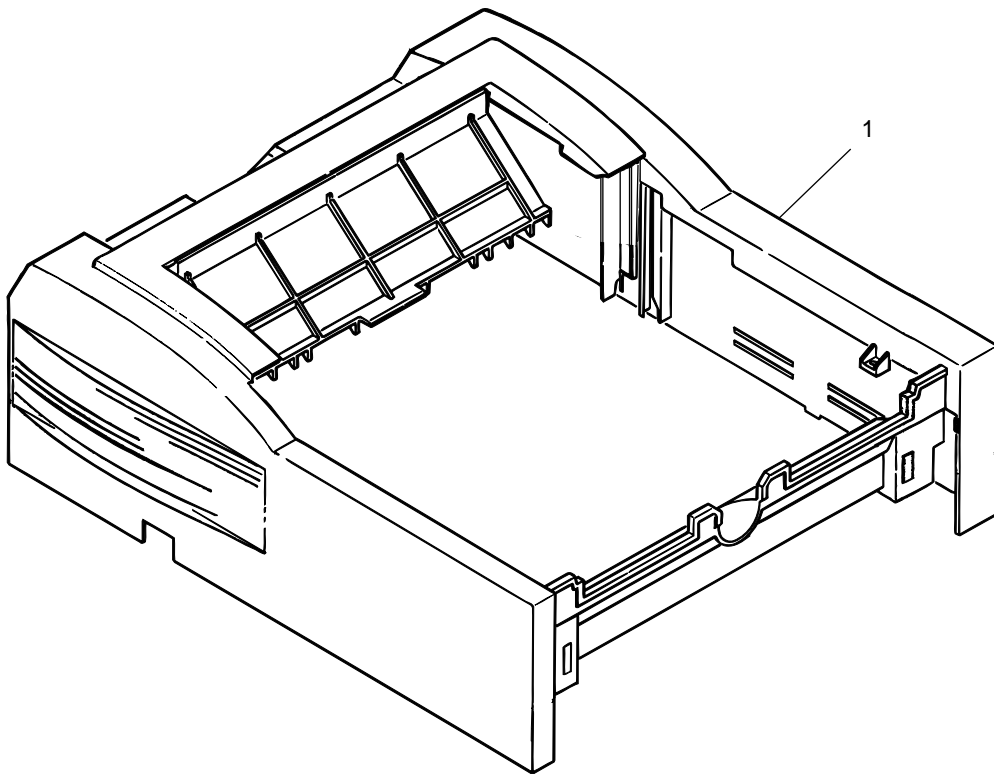


Figure 8-2 Upper cover unit

# OP 12i

Table 8-2 Upper cover unit

No.	Name/Rating	Part No.	Use	Remarks	ODA Part No.
1	Cover-Upper	40715101	1		

# OP 12i

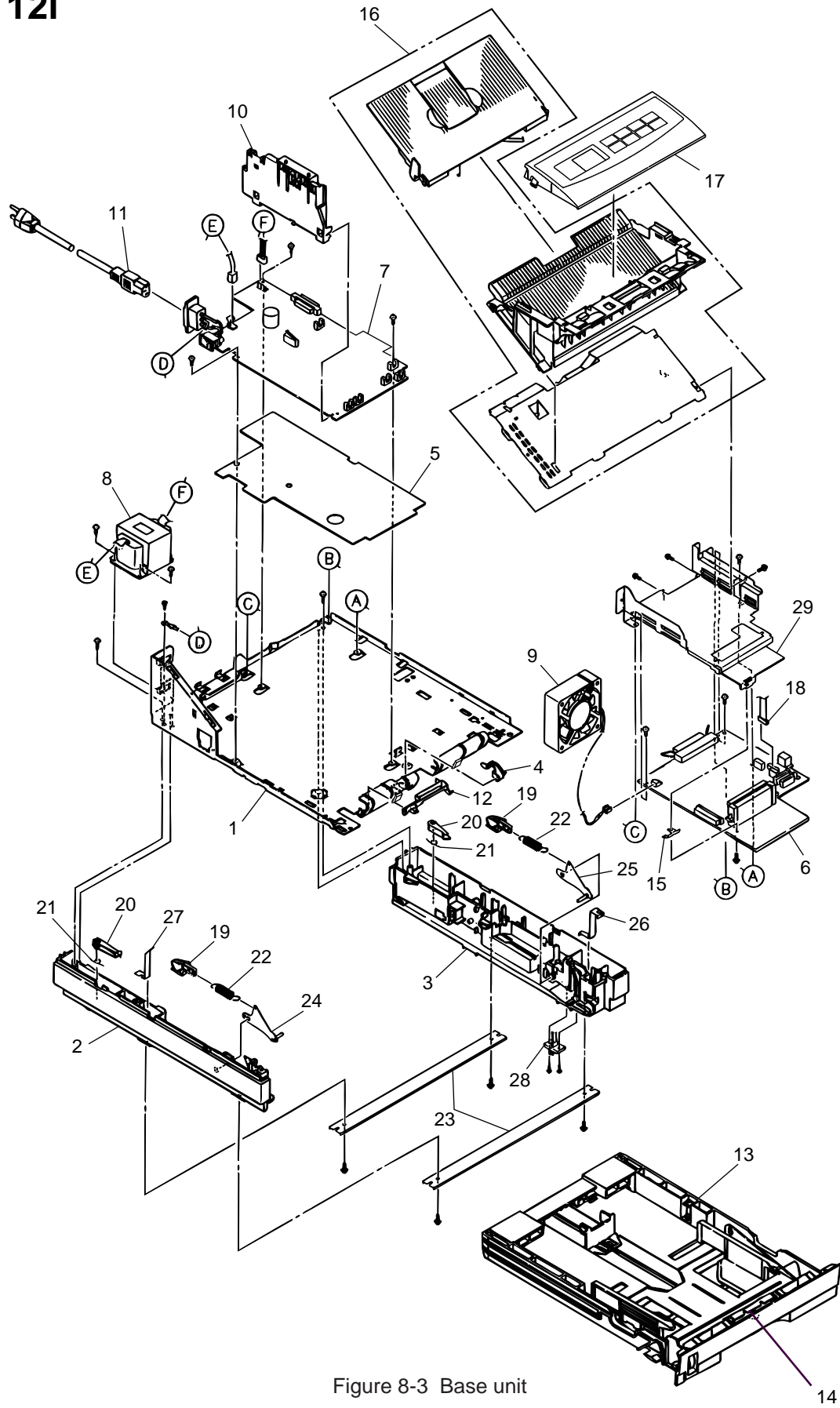


Figure 8-3 Base unit

# Op 12i

Table 8-3 Base unit

No.	Name/Rating	Part No.	Use	Remarks	ODA Part No.
1	Base plate (adhesion)	2PP4083-7672G1	1	808A0000001~ 810AXXXXXXX	51012901
	Plate Assy-Base	40919401	1	811AXXXXXXX~	
2	Cassette guide (L) assy	3PP4083-7670G1	1		51011201
3	Cassette guide (R) assy	3PP4083-7671G1	1		51011301
4	Sensor plate (paper supply)	4PP4083-7667P1	1		51011401
5	Insulator	3PB4083-6144P1	1		51709401
6	Main control board (Board-M5E)	40750002	1		
7	Power Supply Unit	40217701	1	120V	
	Power Supply Unit	40217702	1	230V	
8	PWR Transformer	40138801	1	120V	
	PWR Transformer	40139001	1	230V	
9	Fan motor	270A2167P0001	1		56510801
10	Contact assy	3PA4083-6090G1	1		56730001
11	AC cord	3YS4011-1315P1	1	120V	56609701
	AC cord	3YS4011-1266P1	1	220~240V	56624301
12	Cassette sensor plate	3PP4083-6154P1	1		51011501
13	Cassette Assy-Paper	40473001	1		
14	Seperator Frame Assy	3PP4083-5663G1	1		
15	Earth plate	4PP4083-6137P1	1		51011601
16	Face up stacker cover assy	2PA4128-1143G1	1		50101301
17	Frame Assy-OP Panel	40715201	1	ODA	
	Frame Assy-OP Panel	40715202	1	OEL	
	Frame Assy-OP Panel	40715203	1	INT	
18	SUMI card assy (op panel)	4YX4046-1656G1	1	120V	
	SUMI card assy (op panel)	4YX4046-1656G2	1	230V	
19	Link pull block	4PP4122-1170P1	2		
20	Cassette lock lever	3PP4083-7653P1	2		
21	Cassette lock lever spring	4PP4083-7655P1	2		
22	Sheet spring	4PP4083-7666P1	2		
23	Beam	3PP4083-7660P1	2		
24	Sheet link L assy	4PP4083-7657G1	1		
25	Sheet link R assy	4PP4083-7658G1	1		
26	FG plate (2nd)	4PP4083-7662P1	1		
27	FG plate (bm)	4PP4083-7665P1	1		
28	Connector cord	3YS4111-3527P1	1		
29	Plate Guide-PCB	40396101	1		