

8. PARTS LIST

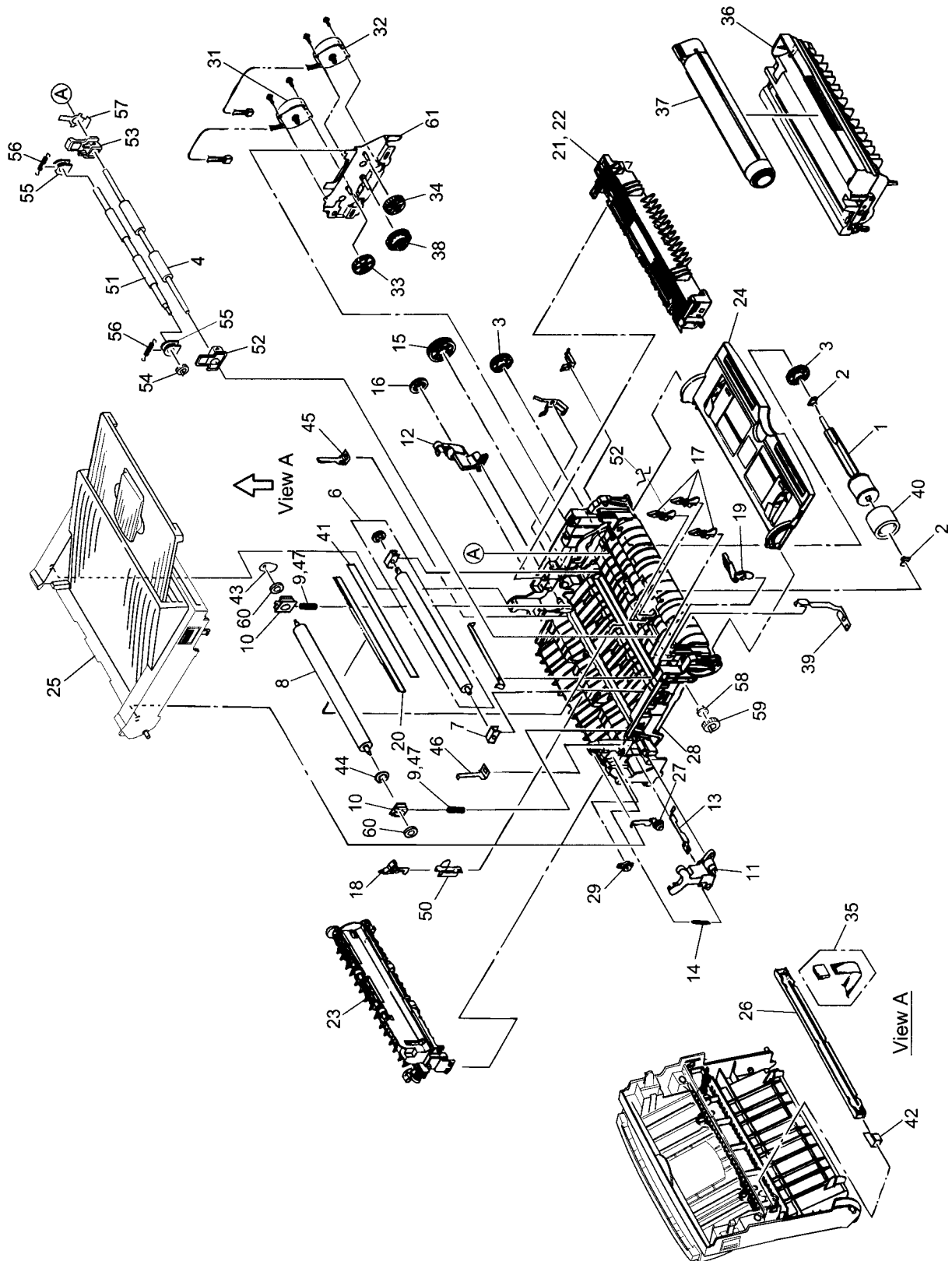


Figure 8-1 Lower Base Unit

Table 8-1 Lower Base Unit (1/2)

| No. | Name/Rating | Part No. | Use | Remarks | ODA Part No. |
|-----|------------------------------------|------------------|-----|-----------|--------------|
| 1 | Hopping roller shaft | 3PP4083-6020P001 | 1 | | 51112601 |
| 2 | Bearing | 4PP4083-6022P002 | 2 | | 51607402 |
| 3 | Hopping roller one-way clutch gear | 4PB4083-6024P001 | 2 | | 51228901 |
| 4 | Roller-Registration | 41281101 | 1 | | |
| 5 | Bearing (registration) | 4PP4083-6031P001 | 1 | | 51607501 |
| 6 | Roller-Transfer Assy | 40437802 | 1 | | |
| 7 | Bearing TR | 40438001 | 1 | | |
| 8 | Roller-Back up | 41301801 | 1 | | |
| 9 | Bias spring | 41584101 | 2 | | |
| 10 | Holder-BU | 41536201 | 2 | | |
| 11 | Lever-Reset L | 40581801 | 1 | | 50805801 |
| 12 | Reset lever R | 3PP4083-6054P001 | 1 | | 50805901 |
| 13 | Cover open switch arm | 3PP4083-6058P001 | 1 | | 53068901 |
| 14 | Stacker cover reset spring | 4PP4083-6057P001 | 1 | | 50924201 |
| 15 | Fuser roller idle gear | 4PP4083-6080P001 | 1 | | 51229101 |
| 16 | Eject roller idle gear | 4PP4083-6081P001 | 1 | | 51229201 |
| 17 | Sensor plate (inlet) | 4PP4083-6083P001 | 3 | | 51010701 |
| 18 | Lever eject sensor Assembly | 40771401 | 1 | | |
| 19 | Toner sensor (adhesion) | 4PP4083-6086G001 | 1 | | 50405501 |
| 20 | Diselectrification bar | 4PB4083-6979P001 | 1 | | |
| 21 | Heat Assy - OP14i | 40470107 | 1 | 120V | |
| 22 | Heat Assy - OP14i | 40470108 | 1 | 230V | |
| 23 | Roller assy-Eject | 40772501 | 1 | | |
| 24 | Manual Feed guide Assy | 40715501 | 1 | | |
| 25 | Stacker-Assy | 41423101 | 1 | | |
| 26 | LED head unit - 51LS | 41366001 | 1 | | |
| 27 | Stacker cover damper arm | 4PP4083-6191G001 | 1 | | 53069101 |
| 28 | Frame subassy-lower | 41453901 | 1 | | |
| 29 | Stacker cover damper | 4PB4083-6197P001 | 1 | | 51229401 |
| 30 | | | | | |
| 31 | Motor-Pulse (main) | 41301901 | 1 | | |
| 32 | Motor-Pulse (regist) | 40722301 | 1 | | |
| 33 | Gear-Idle A (Z60/20) | 41279001 | 1 | | |
| 34 | Gear-Idle B (Z45/16) | 41279101 | 1 | | |
| 35 | Cord-LED Assembly | 40241702 | 1 | | |
| 36 | Image drum unit | 41331601 | 1 | ODA | |
| | Image drum unit | 41331602 | 1 | OEL | |
| | Image drum unit | 41331603 | 1 | APS | |
| 37 | Toner Cartridge | 40433203 | 1 | APS(2.5k) | |
| | Toner Cartridge (Type 8) | 41331701 | 1 | ODA(4k) | |
| | Toner Cartridge (Type 8) | 41331702 | 1 | OEL(4k) | |
| | Toner Cartridge (Type 8) | 41221703 | 1 | APS(4k) | |
| 38 | Reduction gear | 41279201 | 1 | | |

Table 8-1 Lower Base Unit (2/2)

| No. | Name/Rating | Part No. | Use | Remarks | ODA Part No. |
|-----|-------------------------|------------------|-----|------------------------------|--------------|
| 39 | FG plate (O.P.) | 4PP4083-7663P001 | 1 | | |
| 40 | Rubber Hopping roller | 4PB4076-5447P001 | 1 | | |
| 41 | Diselectrification Film | 3PB4083-6089P001 | 1 | | |
| 42 | LED Contact | 4PP4083-6173P001 | 1 | | |
| 43 | Washer C | 4PP4120-1210P001 | 1 | | |
| 44 | Washer B | 4PP4120-1209P001 | 1 | | |
| 45 | Spacer-Bearing R | 41583901 | 1 | | |
| 46 | Spacer-Bearing L | 41584001 | 1 | | |
| 47 | Bias Spring A | 41599601 | 2 | Special parts for envelope * | |
| 48 | | | | | |
| 49 | | | | | |
| 50 | Sensor wire Assembly | 41027701 | 1 | | |
| 51 | Roller-Pressure | 41281001 | 1 | | |
| 52 | Holder-Regist L | 41279501 | 1 | | |
| 53 | Holder-Regist R | 41279601 | 1 | | |
| 54 | Gear-Pressure | 41279801 | 1 | | |
| 55 | Bearing-Pressure | 41279401 | 2 | | |
| 56 | Spring-Tension | 41281201 | 2 | | |
| 57 | Plate-Contact PA | 41280401 | 1 | | |
| 58 | Bearing-Regist L | 41279301 | 1 | | |
| 59 | Gear-Regist | 41279701 | 1 | | |
| 60 | Bearing-Ball | 41584201 | 2 | | |
| 61 | Bracket-Motor | 41280001 | 1 | | |

* This part is countermeasure for envelope wrinkle.
Both side springs must be exchanged at the same time.

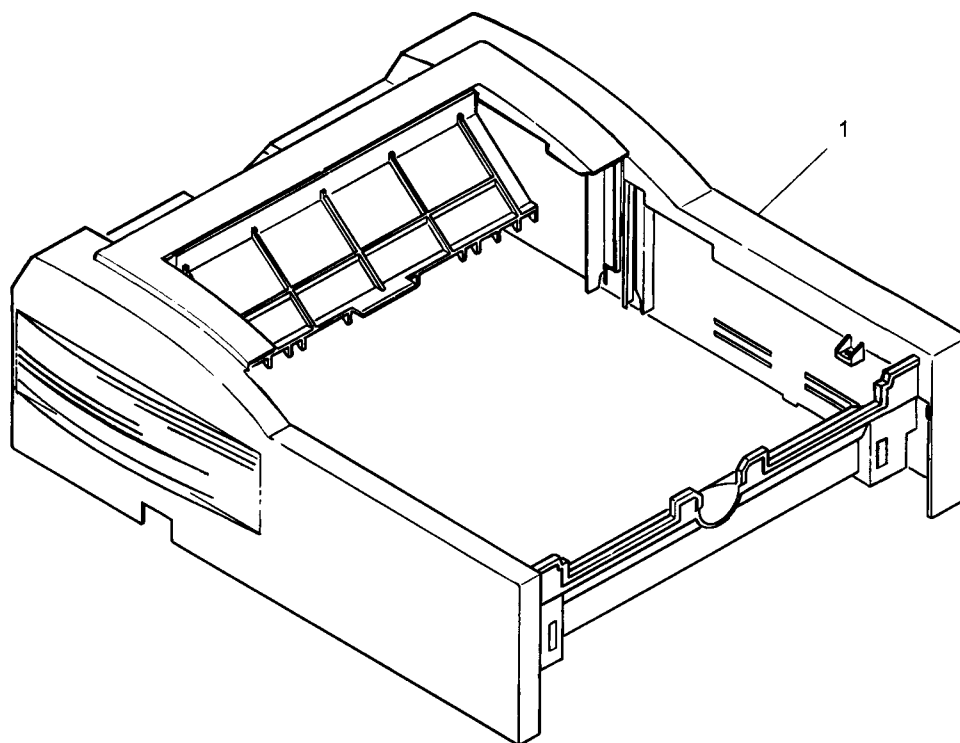


Figure 8-2 Upper cover unit

Table 8-2 Upper cover unit

| No. | Name/Rating | Part No. | Use | Remarks | ODA Part No. |
|-----|-------------|----------|-----|---------|--------------|
| 1 | Cover-Upper | 40715101 | 1 | | |

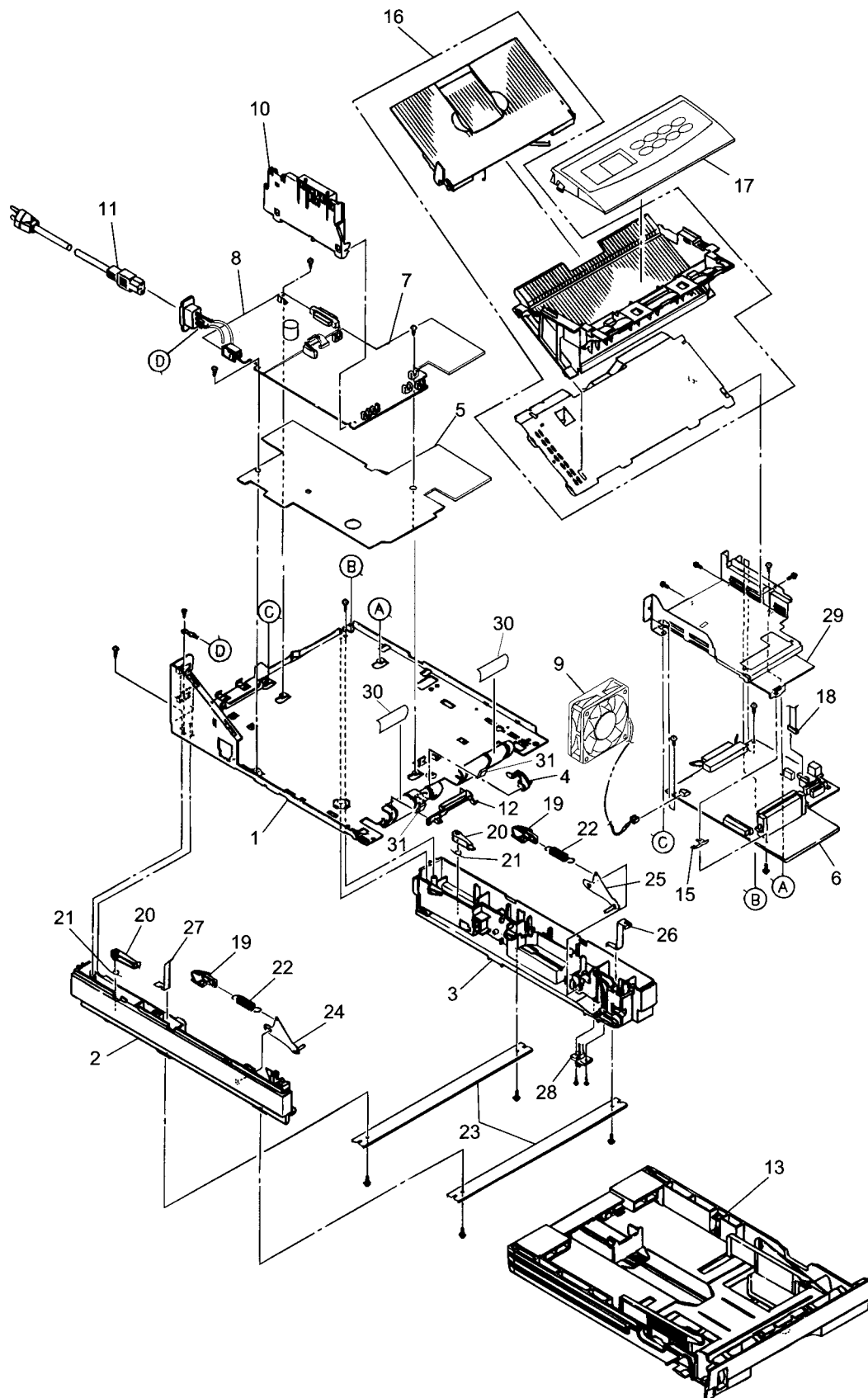


Figure 8-3 Base unit

Okipage 14i

Table 8-3 Base unit

| No. | Name/Rating | Part No. | Use | Remarks | ODA Part No. |
|-----|-----------------------------|------------------|-----|----------|--------------|
| 1 | Plate Base | 41279901 | 1 | | |
| 2 | Cassette guide (L) assy | 3PP4083-7670G001 | 1 | | 51011201 |
| 3 | Cassette guide (R) assy | 3PP4083-7671G001 | 1 | | 51011301 |
| 4 | Sensor plate (paper supply) | 4PP4083-7667P001 | 1 | | 51011401 |
| 5 | Plate-Insulator | 41301601 | 1 | | |
| 6 | Board-M7E-2 | 41249207 | 1 | | |
| 7 | PCB Assy-HV1 | 41228501 | 1 | | |
| 8 | Power supply unit | 41087901 | 1 | | |
| | Power supply unit | 41088001 | 1 | | |
| 9 | Fan motor | 41454401 | 1 | | 56510801 |
| 10 | Contact assy | 41445801 | 1 | | |
| 11 | AC cord | 3YS4011-1315P001 | 1 | 120V | 51011501 |
| | AC cord | 3YS4011-1266P001 | 1 | 220~240V | |
| 12 | Cassette sensor plate | 3PP4083-6154P001 | 1 | | |
| 13 | Cassette Assy-Paper | 40473001 | 1 | | |
| 14 | | | | | |
| 15 | Earth plate | 4PP4083-6137P001 | 1 | | 51011601 |
| 16 | Face up stacker cover assy | 2PA4128-1143G001 | 1 | | 51011301 |
| 17 | Frame Assy-OP | 40715213 | 1 | | |
| 18 | Card assy-op panel | 41445901 | 1 | | |
| 19 | Link pull block | 4PP4122-1170P001 | 2 | | |
| 20 | Cassette lock lever | 3PP4083-7653P001 | 2 | | |
| 21 | Cassette lock lever spring | 4PP4083-7655P001 | 2 | | |
| 22 | Sheet spring | 4PP4083-7666P001 | 2 | | |
| 23 | Beam | 3PP4083-7660P001 | 1 | | |
| 24 | Sheet link L assy | 4PP4083-7657G001 | 1 | | |
| 25 | Sheet link R assy | 4PP4083-7658G001 | 1 | | |
| 26 | FG plate (2nd) | 4PP4083-7662P001 | 1 | | |
| 27 | FG plate (bm) | 4PP4083-7665P001 | 1 | | |
| 28 | Connector cord | 3YS4111-3527P001 | 1 | | |
| 29 | Plate Guide-PCB | 41301701 | 1 | | |
| 30 | Polyethylene Tape | 4YC4061-5115P001 | 2 | L=91.5mm | |
| 31 | Guide-Paper H | 40828301 | 2 | | |
| 32 | CS-RING (CS3-SUS) | 4PB4013-3501P002 | 2 | | |
| 33 | Board-MN6 | 40755408 | 1 | APS | |
| | Board-MN8 | 41047304 | 1 | APS | |