

OL400e/x-410ex

8. PARTS LIST

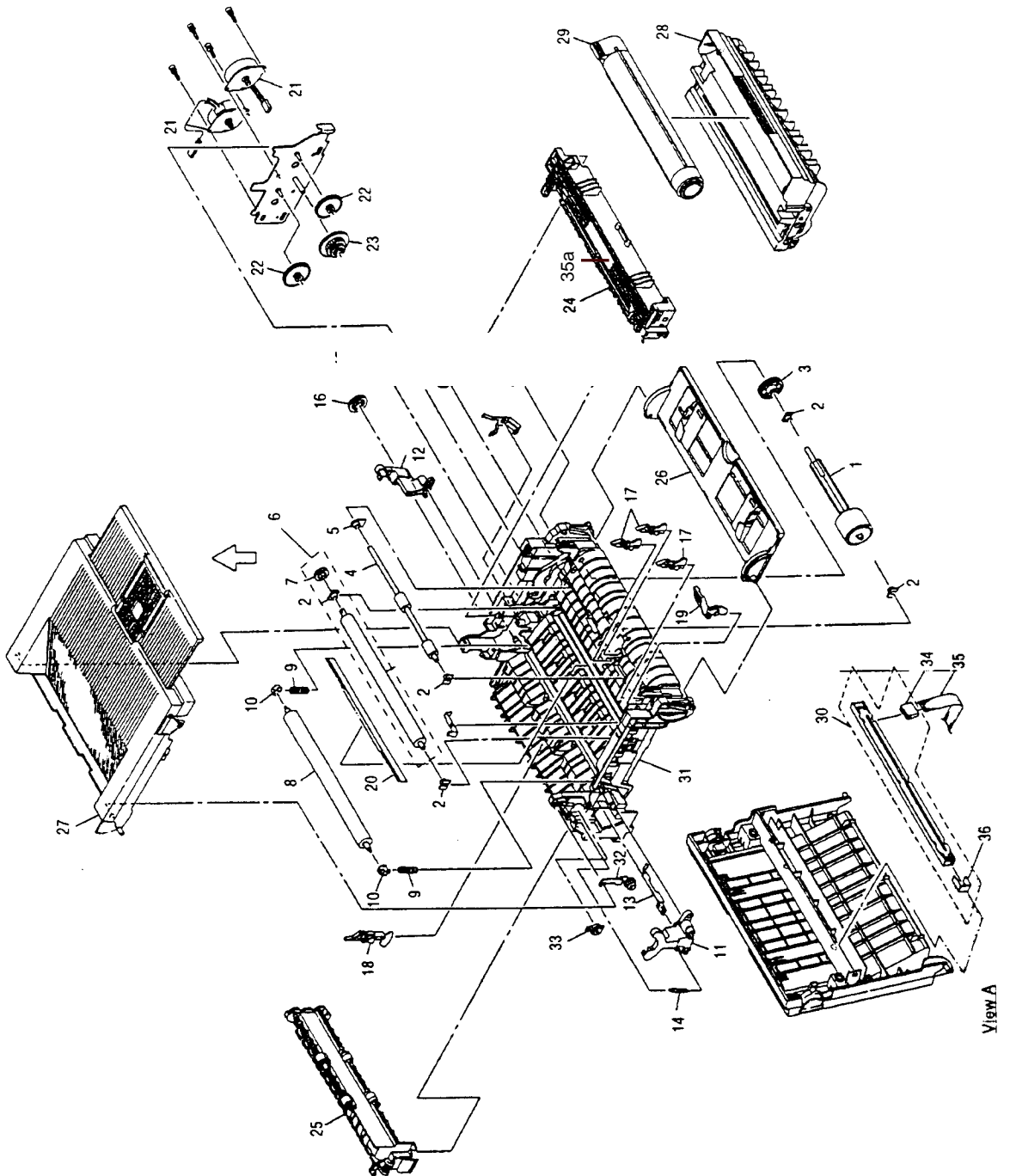


Figure 8-1 Lower Base Unit

OL400e/x-410ex

Table 8-1 Lower base unit

No.	Name	Rating	Parts No.	Use			Remarks
				OL400e	OL400ex	OL410ex	
1	Hopping roller shaft assy		3PA4083-6019G1	1	1	1	
2	Bearing		4PP4083-6022P2	5	5	5	
3	One-way clutch gear		3PB4083-6024P1	2	2	2	
4	Resist roller		3PB4083-6030P1	1	1	1	
5	Bearing (Resist)		4PP4083-6031P1	1	1	1	
6	Transfer roller assy		3PA4083-6246G1	1	1	1	
7	TR gear		4PP4083-6042P2	1	1	1	
8	Back-up roller		3PB4083-6050P1	1	-	.	Use for Products before S/N303A==,
			3PB4083-6064P1	1	1	1	Use for Products after S/N304A
9	Bias spring		4PP4083-6051P1	2	-		Use for Products before S/N303A~
			4PP4083-6065P1	2	2	2	Use for Products S/N 304~ and after.
10	Bush		4PP4083-6052P1	2	2	2	
11	Reset lever L		3PK4083-6810P1	1	-		Use for Products before S/N 303~
			3PP4083-6053P1	1	1	1	Use for Products S/N 304Axxx and ter.
12	Reset lever R		3PK4083-6811P1	1			Use for Products before S/N 303A~
			3PP4083-6054P1	1	1	1	Use for Products S/N 304~ and after.
13	Switch arm		3PP4083-6058P1	1	1	1	
14	Reset spring		4PP4083-6057P1	1	1	1	
15	Idle gear		4PP4083-6080P1	1	1	1	
16	Idle gear		4PP4083-6081P1	1	1	1	
17	Sensor plate (inlet. paper)		4PP4083-6083P1	3	3	3	
18	Sensor plate (outlet)		4PP4083-6025G1	1	1	1	
19	Toner sensor (adhesion)		4PP4083-6086G1	1	1	1	
20	Diselectrification bar		4PB4083-3182P3	1	1	1	
21	Stepping motor		4PB4083-6075P1	2	2	2	
22	Idle gear A		4PP4083-2593P1	2	2	2	
23	Reduction gear		3PP4083-6076P1	1	1	1	
24	Fusing unit (23OV)		2YX4083-6100G2	1	1	1	
25	Eject roller assy		2PA4083-6120G1	1	1	1	
26	Manual feed guide assy		2PA4083-6130G1	1	1	1	
27	Stacker cover assy		2PA4083-6160G1	1	1	1	
28	I/D unit		4YA4083-6300G3	1	1	1	Consumable
29	Toner cartridge		4YA4083-6400G3	1	1	1	Consumable
30	LED head		3YX4083-6245G1	1	1	1	
31	Lowerbase		2PP4083-6801G1	1	1	1	
32	Dumper arm (caulking)		4PP4083-6191G1	1	1	1	
33	Dumper		4PB4083-6197P1	1	1	1	
34	PC connector		224A1286P0140	1	1	1	
36	Flexible cable (LED head)		4YX4121-1025G1	1	1	1	
36	Contact (LED)		4PP4083-6173P1	1	1	1	

OL400e/x-410ex

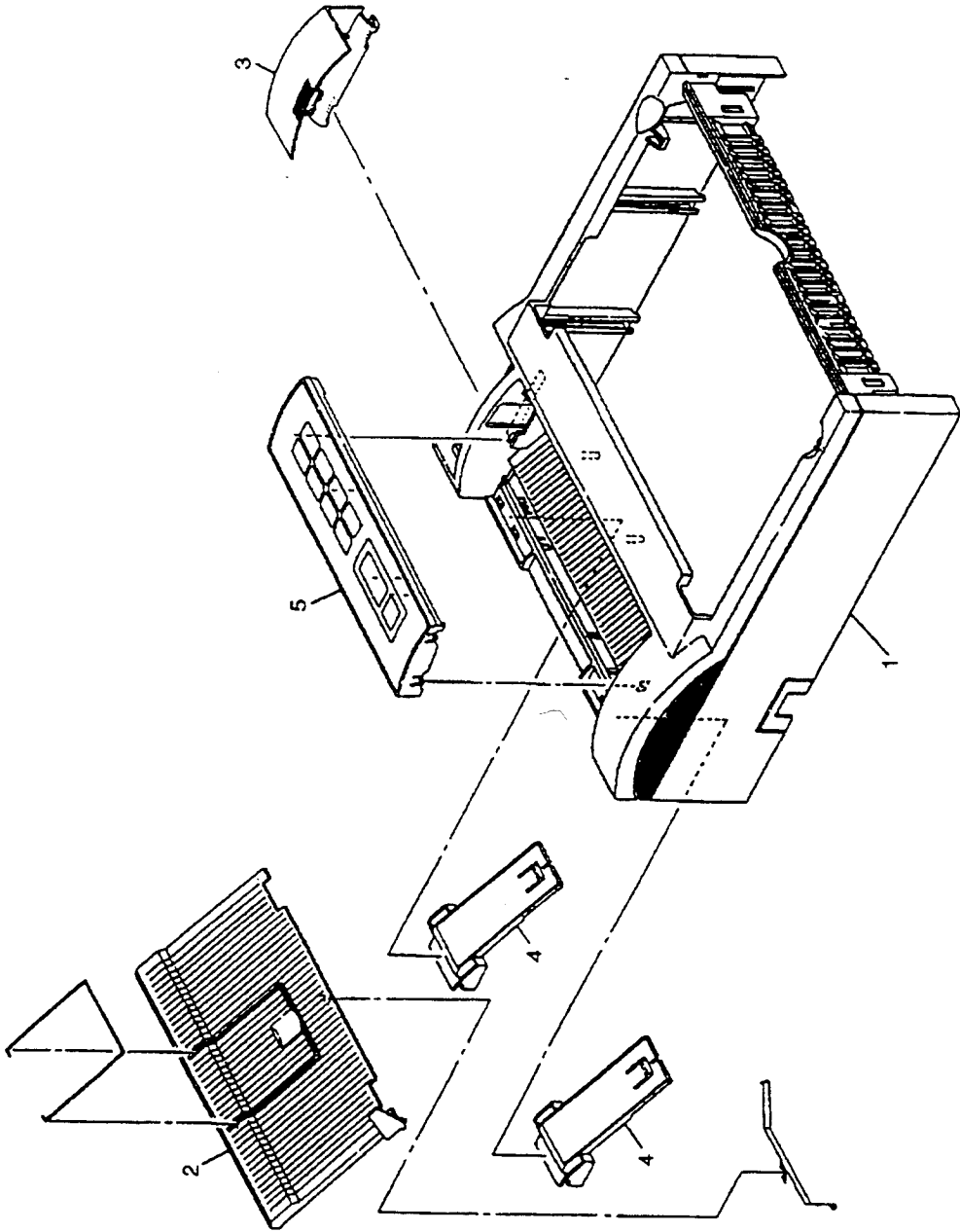


Figure 8-2 Upper cover unit

OL400e/x-410ex

Table 8-2 Upper cover unit

<u>No.</u>	<u>Name/FRating</u>	<u>Parts No.</u>	<u>Use</u>			<u>Remarks</u>
			OL400e	OL400ex	OL410ex	
1	Upper cover	2PP4083-6808G1	1	1	1	
2	Stacker	1 PP4094-7814P1	1	1	1	
3	Font card cover	2PP4094-7815P1	1	1	1	
4	Stacker clamp	3PP4094-7816P1	2	2	2	
5	Operator panel assy	4YA4083-6804G2	-	1	-	
	Operator panel assy	4YA4083-6804G5	-		1	
	Operator panel assy	4YA4083-6804G8	1		-	

OL400e/x-410ex

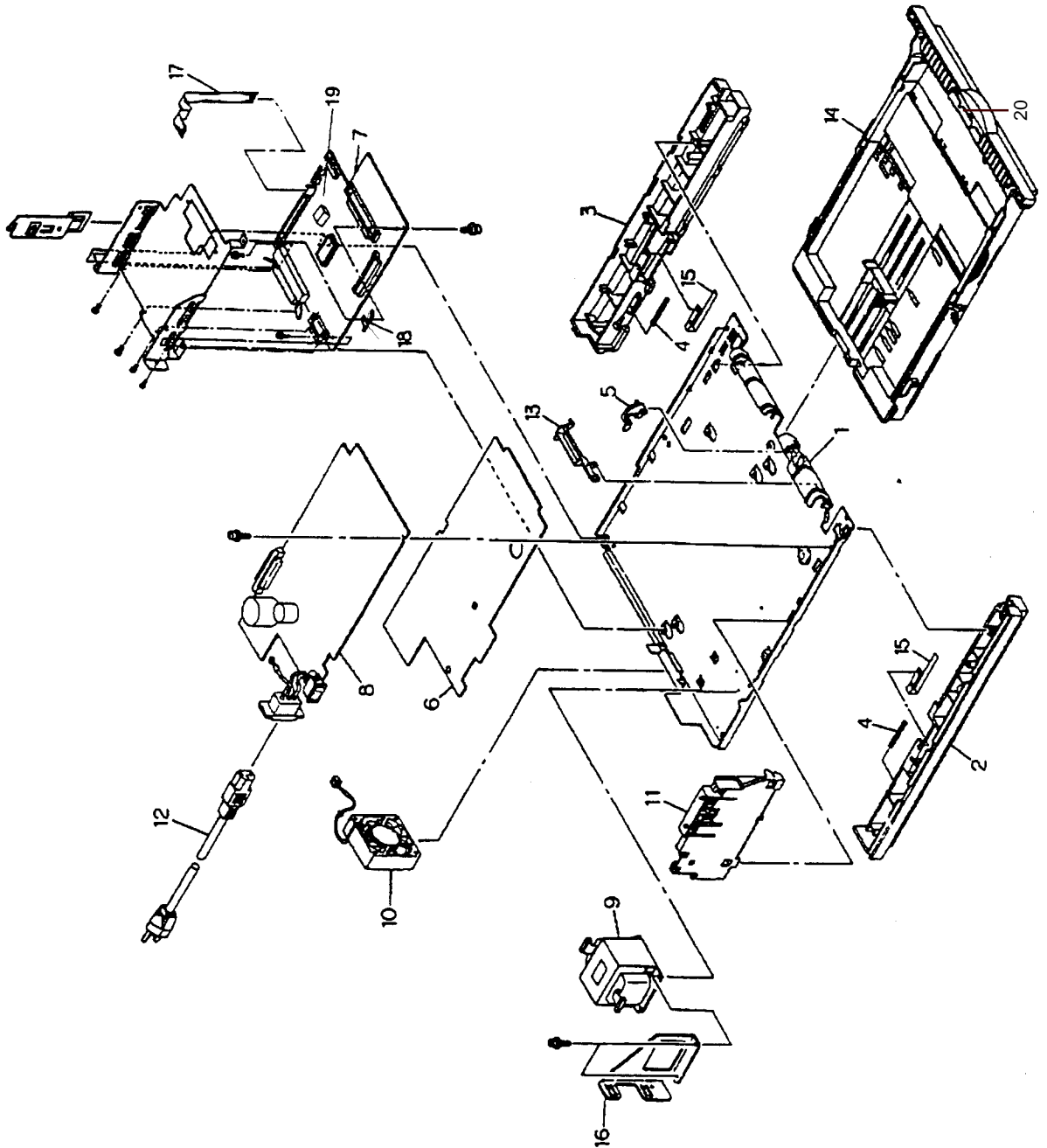


Figure 8-3 Base unit

OL400e/x-410ex

Table 8-3 Base unit

No.	Name/Rating	Parts No.	Use			Remarks
			OL400e	OL400ex	OL410ex	
1	Base plate	2PP4083-6809G1	1	1	1	
2	Cassette guide L	3PP4083-6802G1	1	1	1	
3	Cassette guide R	3PP4083-6803G1	1	1	1	
4	Eject spring	4PP4083-6152P1	2	2	2	
5	Sensor plate (Paper end)	4PP4083-6082P1	1	1	1	
6	Insulator	3PB4083-6144P1	6	6	6	
7	Control board (OLCW-)	4YA4121-1007G I	1	1	-	
	Control Board (OLCW-3)	4YA4121-1007G12	-	-	1	
a	Power supply board	4YA4049-7072G2	1	1	1230V	
9	Transformer	4YB4049-7033P1	1	1	1230V	
10	Fan motor	270A2165P0001	1	1	1	
11	Contact assy	3PA4083-609OG1	1	1	1	
12	AC cord (Continental)	3YS4011-1266P1	1	1	1	
	AC cord (U.K.)	3YS4011-1270P1	1	1	1	
	AC cord (Australia)	3YS4011-1329P2	1	1	1	
13	Cassette sensor plate	3PP4083-6154P1	1	1	1	
14	Paper cassette	1 PA4083-620OG1	1	1	1	
15	Support spring	4PP4083-6153P1	2	2	2	
16	Inlet hober	4PP4083-6145P1	1	1	1	
17	Flexible cable (operator panel)	238A1071P0003	1	1	1	
18	Ground plate	4PP4083-6137P1	1	1	1	
19	EEPROM for control board	816A0303M0000	1	1	1	
	OLCB-PCB (RAM board)	4YA4121-1002G11	1	1	1 Option	
	RAM chip set (1 MB)	4YA4121-1008G1	1	1	1 Option	