

Okipage 4w Plus

8. PARTS LIST

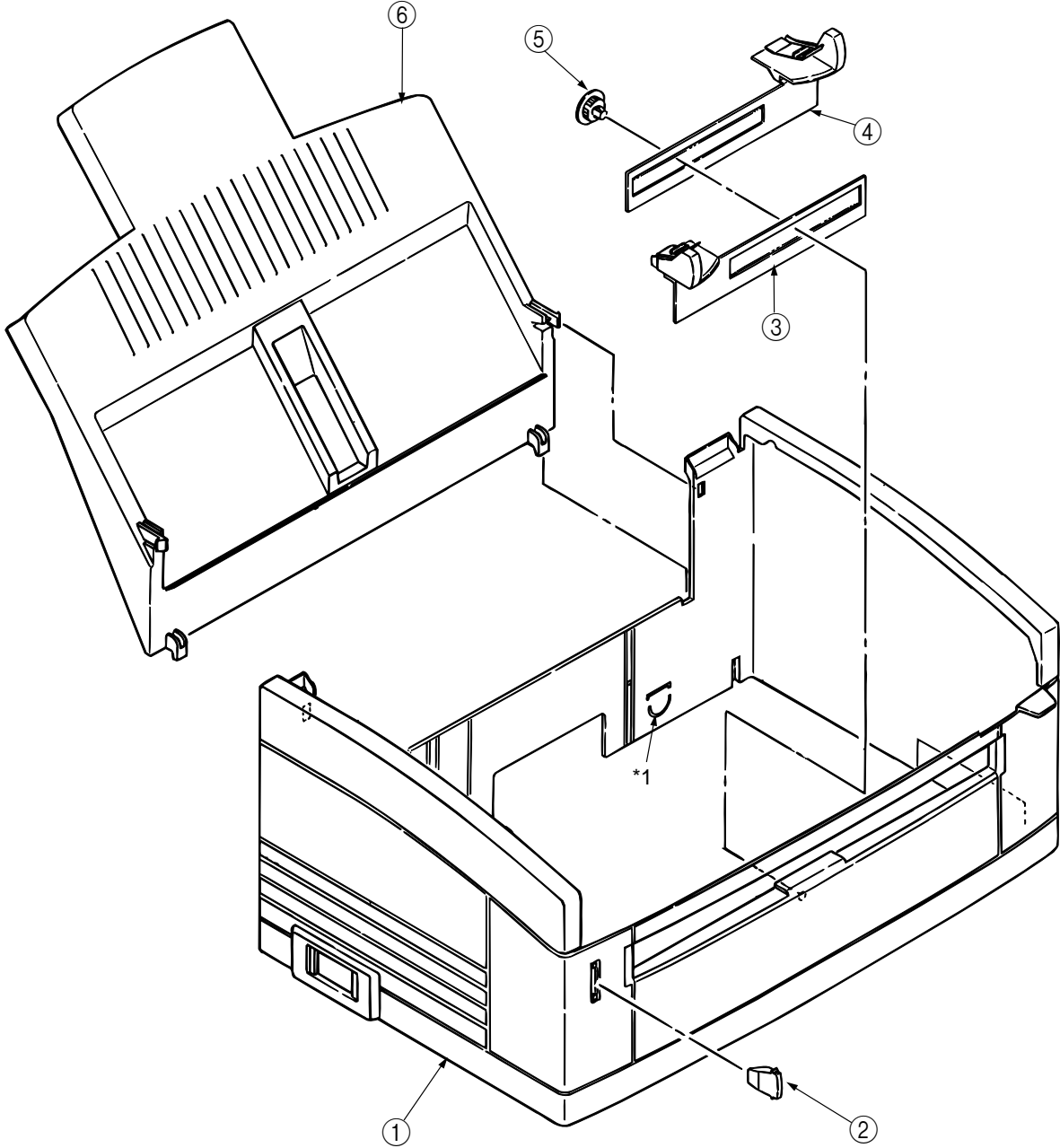


Figure 8-1 Cover Assy Upper

Okipage 4w Plus

Table 8-1 Cover Assy Upper

No.	Part Name	Part No.	Q'ty	Remarks
1	Upper Cover	1PP4128-1251P1	1	
2	Lamp	3PP4128-1255P1	1	
3	Guide Slide (L)	2PP4128-1256P1	1	
4	Guide Slide (R)	2PP4128-1257P1	1	
5	Spur Gear (A)	4PP4128-1260P1	1	
6	Hopper Plate	40249301	1	

Okipage 4w Plus

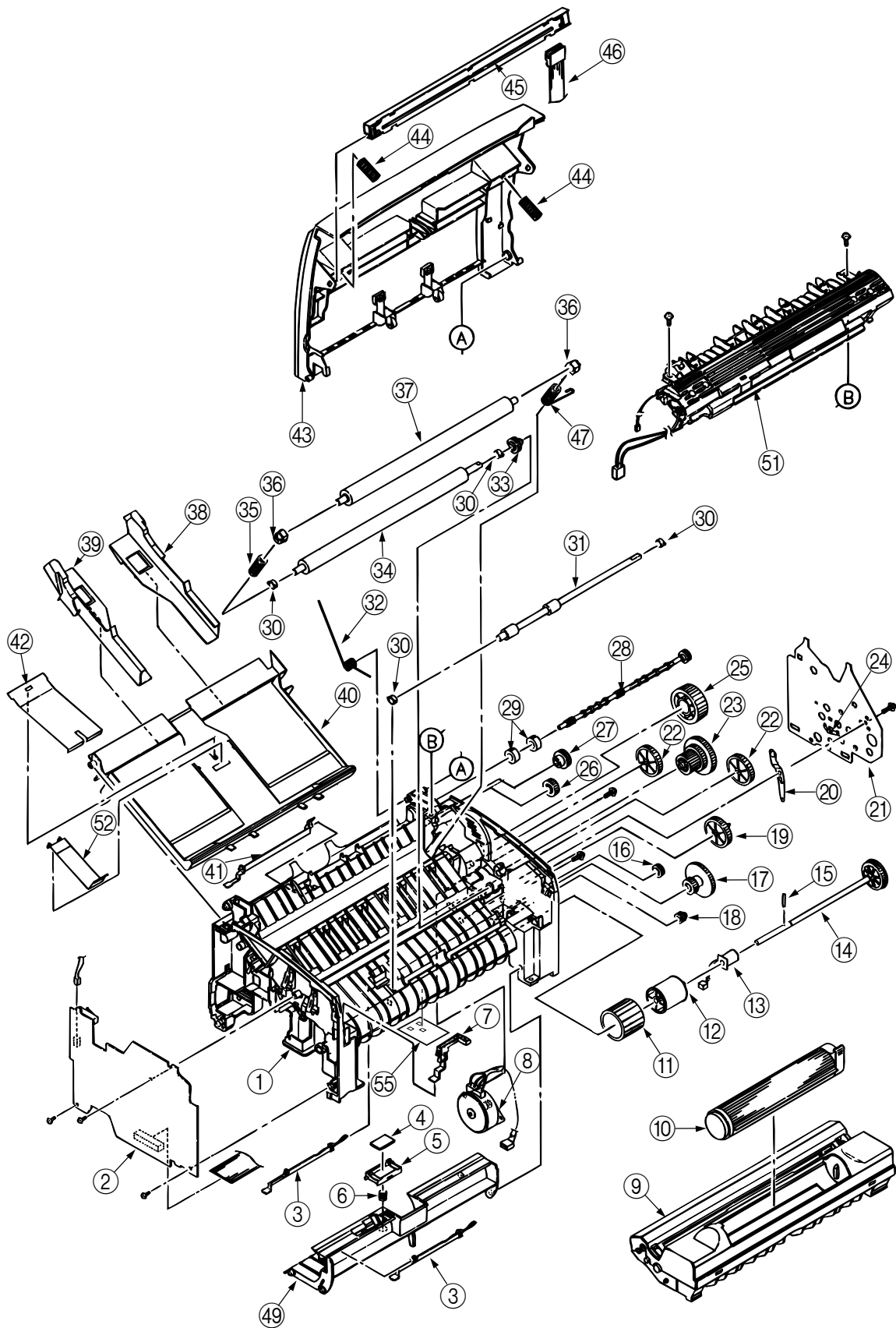


Figure 8-2 Base Frame Unit

Okipage 4w Plus

Table 8-2 Base Frame Unit

No.	Part Name	Part No.	Q'ty	Remarks
1	Base Frame Assy	2PP4083-1502G1	1	
2	High-Voltage Power Supply Board	4YA4130-1024G1	1	
3	Paper Sensor E	3PP4083-1191P1	2	
4	Friction Pad	4PB4083-1245P1	1	
5	Separator Guide	3PP4083-1244P1	1	
6	Compression Spring S	4PP4083-1246P1	1	
7	Toner Sensor Assy	3PA4083-1193G1	1	
8	Pulse Motor	4PB4083-1172P1	1	
9	Ep Unit	_____	1	Consumable
10	Toner Cartridge Unit	_____	1	Consumable
11	Hopping Roller	4PB4083-1129P1	1	
12	Roller Holder (Hopping Roller)	3PP4083-1128P1	1	
13	Magnet H (Hopping Shaft)	3PB4083-1127P1	1	
14	Hopping Shaft Assy	3PA4083-1133G1	1	
15	Knock Pin	NK2-10-SUS	1	
16	Idle Gear R	4PP4083-1143P1	1	
17	Idle Gear 2R	3PP4083-1184P1	1	
18	Gear R	3PP4083-1142P1	1	
19	Idle Gear M	3PP4083-1181P1	1	
20	Earth Plate A	3PP4083-1189P1	1	
21	Side Plate M	3PP4083-1188P1	1	
22	Idle Gear P	3PP4083-1182P1	2	
23	Idle Gear 3R	3PP4083-1183P1	1	
24	Tension Plate	4PP4083-1165P1	1	
25	Idle Gear Heat	3PP4083-1185P1	1	
26	Idle Gear E (A)	4PP4083-1186P1	1	
27	Idle Gear E (B)	3PP4083-1187P1	1	
28	Drive Shaft E (Eject)	3PP4083-1170P1	1	
29	Eject Roller	40074601	2	
30	Resist Bearing	3PP4083-1141P1	4	
31	Resist Roller	3PB4083-1140P1	1	
	Resist Roller	40457001	1	For China
32	Tension Spring	4PP4083-1252P1	1	
33	Gear T	3PP4083-1151P1	1	

Okipage 4w Plus

No.	Part Name	Part No.	Q'ty	Remarks
34	Transfer Roller	3YB4083-1150P1	1	
	Transfer Roller	40456901	1	For China
35	Bias Spring (L) (Back Up Roller)	4PP4083-1136P1	1	
36	Bearing BU (Back Up Roller)	3PP4083-1161P1	2	
37	Pressure Roller B (Back Up Roller)	3PB4083-1160P2	1	
38	Paper Guide (R)	40249501	1	
39	Paper Guide (L)	40249401	1	
40	Paper Holder	1PP4083-1231P1	1	
41	Paper Sensor Exit	3PP4083-1192P1	1	
42	Hopper Spring	4PP4083-1247P1	1	
43	Top Cover Assy	40271102	1	For OEL/OKI-INT, CHINA, TAIWAN (OKIPAGE 4W plus)
	Top Cover Assy	40271104	1	For KOREA (OKIPAGE 4W plus)
	Top Cover Assy	40271106	1	For OEL (OKIPAGE 4m)
44	Head Spring	4PP4083-6168P1	2	
45	LED Head	4YA4116-1228G1	1	
46	Flat Cable Assy	4YX4083-1134G1	1	
47	Bias Spring (R) (Back Up Roller)	4PP4083-1137P1	1	
48	_____	_____	_____	
49	Sheet Guide	1PP4083-1241P1	1	
50	_____	_____	_____	
51	Heat Assy	1YX4083-1200G1	1	120V
	Heat Assy	1YX4083-1200G2	1	230V
	Heat Assy	40116102	1	For CHINA
	Heat Assy	40116103	1	For KOREA
	Heat Assy	40116104	1	For TAIWAN
52	Stopper Spring	40034001	1	
53	Caution Label (TR)	4PB4091-6047P1	1	230V
54	Ferrite Core	105A1034C0002	1	
55	Film Guide	4PP4083-1139P1	1	

Okipage 4w Plus

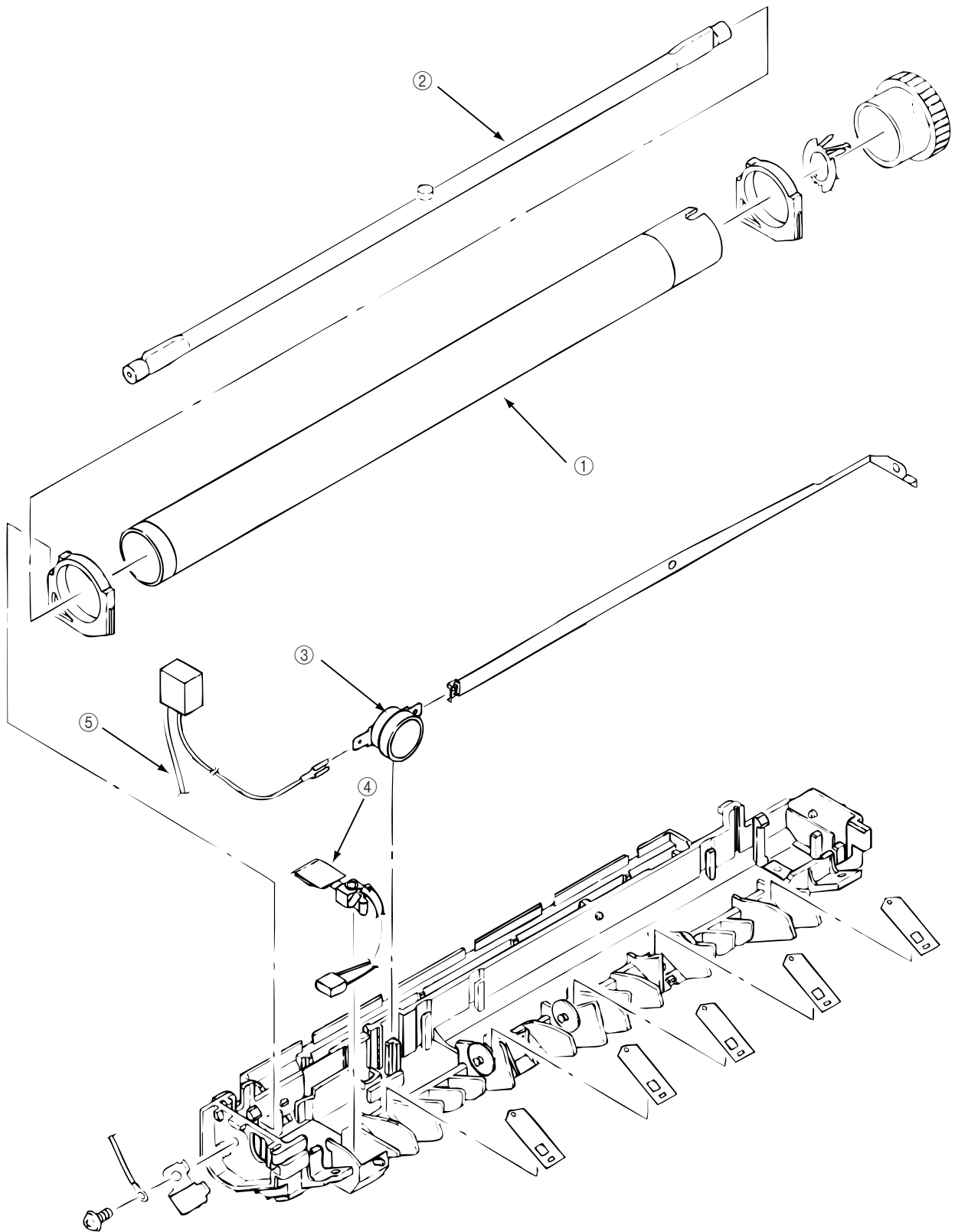


Figure 8-3 Heat Assy

Okipage 4w Plus

Table 8-3 Heat Assy

No.	Part Name	Part No.	Q'ty	Remarks
1	Heat Roller	3PB4083-1202P1	1	
2	Halogen Lamp	3PB4083-6103P4	1	120V
	Halogen Lamp	3PB4083-6103P5	1	230V
3	Thermostat	4PB4083-1204P1	1	
4	Thermistor	4PB4083-1205P1	1	
5	Heat Cord	4PB4083-1213P1	1	

Okipage 4w Plus

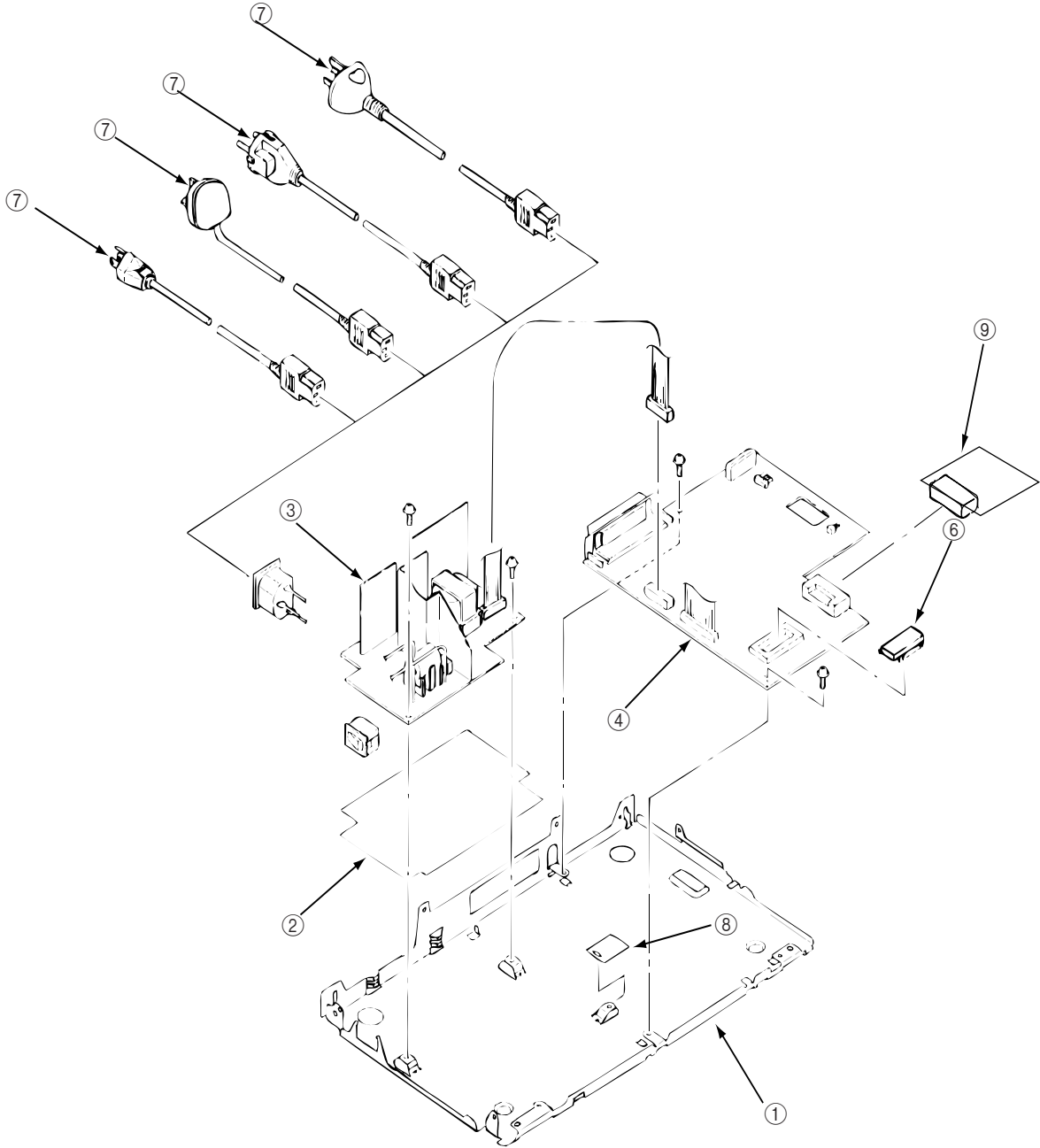


Figure 8-4 Base Plate Unit

Okipage 4w Plus

Table 8-4 Base Plate Unit

No.	Part Name	Part No.	Q'ty	Remarks
1	Base Plate Assy	3PA4083-1135G1	1	
2	Insulation Sheet	3PB4083-1251P1	1	
3	Power Supply Unit	4YB4049-1853P1	1	120V
	Power Supply Unit	4YB4049-1854P1	1	230V
4	Main Control Board (HBMC-2 PCB)	4YA4121-2516G2	1	For OP4W Plus Without ROM
	Main Control Board (HBMC-3 PCB)	4YA4121-2516G3	1	For OP4m With Mask ROM
5	_____	_____	_____	
6	Program ROM	4YR4077-1670G1	1	OP4w Plus EPROM
	Program ROM	40406201	1	OP4w Plus EPROM For China
	Program ROM	8170649M0002	1	OP4m MaskROM
7	AC Cord	3YS4011-1315P1	1	USA (TAIWAN)
	AC Cord	3YS4011-1266P1	1	Continental
	AC Cord	3YS4011-1270P1	1	U.K.
	AC Cord	40398702	1	Australia
	AC Cord	40483802	1	China
8	Insulation Sheet B	40043001	1	
9	Option RAM Board (HBRB-PCB)	4YA4121-2502G005	1	OP4m