

# Okipage 6e/6ex

## 8. PARTS LIST

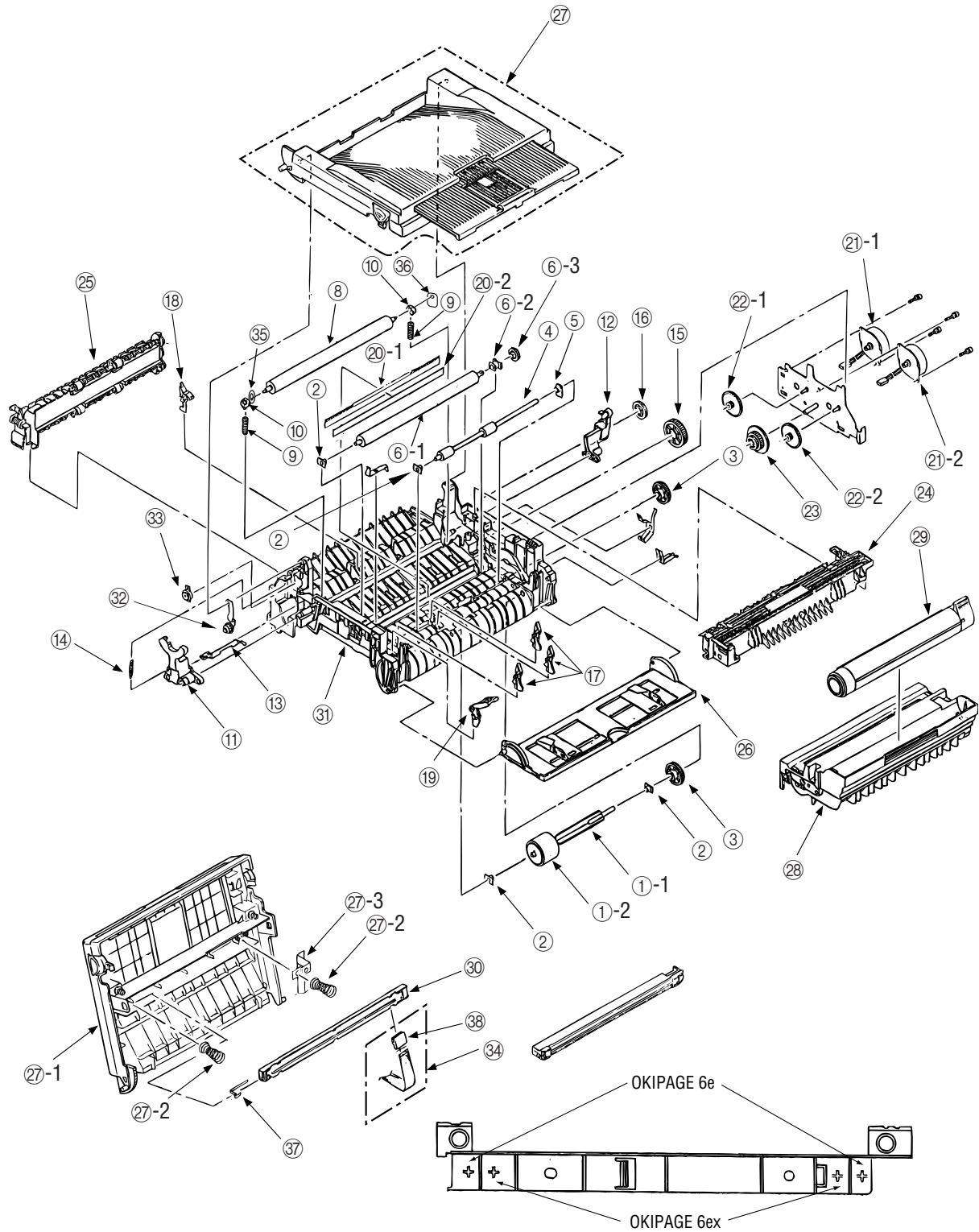


Figure 8-1 Lower Base Unit

Table 8-1 Lower Base Unit

No.	Name/Rating	Part No.	USE		Remarks
			OP6e	OP6ex	
1-1	Hopping roller shaft	3PP4083-6020P1	1	1	
1-2	Hopping roller rubber F	4PB4122-1280P1	1	1	
2	Bearing	4PP4083-6022P2	4	4	
3	Hopping roller clutch gear	4PB4083-6024P1	2	2	
4	Registration roller	3PB4083-6030P1	1	1	
5	Bearing (Registration)	4PP4083-6031P1	1	1	
6-1	Transfer roller A	3YB4083-7640P3	1	1	
6-2	Bearing C	3PP4083-6289P1	1	1	
6-3	TR Gear A	3PP4083-6290P1	1	1	
8	Back-up roller	3PB4083-6064P2	1	1	
9	Bias spring B	4PP4083-7620P1	2	2	
10	Back-up roller bushing	4PP4083-6052P1	2	2	
11	Reset lever L	3PP4083-6053P1	1	1	
12	Reset lever R	3PP4083-6054P1	1	1	
13	Cover open arm	3PP4083-6058P1	1	1	
14	Stacker cover reset spring	4PP4083-6057P1	1	1	
15	Fuser roller idle gear	4PP4083-6080P1	1	1	
16	Eject roller idle gear	4PP4083-6081P1	1	1	
17	Sensor plate (Inlet, paper)	4PP4083-6083P1	3	3	
18	Sensor plate (Outlet)	4PA4083-6025G1	1	1	
19	Toner sensor (Adhesion)	4PP4083-6086G1	1	1	
20-1	Diselectrification bar shaft	4PB4083-6979P1	1	1	
20-2	Diselectrification film	3PB4083-6089P1	1	1	
21-1	Pulse motor A	4PB4076-6150P1	1	1	
21-2	Pulse motor B	4PB4076-6151P1	1	–	
	Motor Resist	40215301	–	1	
22-1	Idle gear D	3PP4076-6145P1	1	1	
22-2	Idle gear E	3PP4076-6146P1	1	1	
23	Reduction gear C	3PP4076-6147P1	1	1	
24	Fusing unit	2YX4083-6100G5	1	1	120V
	Fusing unit	2YX4083-6100G6	1	1	230V
25	Eject roller assy	2PA4083-6120G2	1	1	
26	Manual feed guide assy	2PA4083-6130G1	1	1	
27	Stacker-cover assy	40111303	–	1	
	Stacker-cover assy	40111302	1	–	
27-1	Stacker-cover subassy	40244101	1	–	
	Stacker-cover subassy	40244103	–	1	
27-2	Head spring	4PP4121-1164P1	2	2	
27-3	Film-FG	40104201	1	–	
	FG-Film	4PB4083-6169P1	–	1	
28	Image drum kit	—	1	1	(Consumable)
	Image drum kit	—	1	1	(Consumable)
29	Toner cartridge kit	—	1	1	(Consumable)
30	LED head unit	4Y4116-1224G2	–	1	600 dpi
	LED head unit	4YA4116-1228G1	1	–	300 dpi
31	Lower base	2PP4083-6801G2	1	1	
32	Stacker cover damper arm	4PP4083-6191G1	1	1	
33	Stacker cover damper gear	4PB4083-6197P1	1	1	
34	LED cable assy	4YX4121-1025G2	1	–	OEL (Consumable)
	Cord-LED assy	40241702	–	1	INT (Consumable)
35	Washer B	4PP4120-1209P1	1	1	
36	Washer C	4PP4120-1210P1	1	1	
37	Contact LED	4PP4083-6173P1	1	–	OEL (Consumable)
	Contact-FG	4PP4083-7664P1	–	1	INT (Consumable)
38	PX14 connector	224A1286P0140	1	–	

# Okipage 6e/6ex

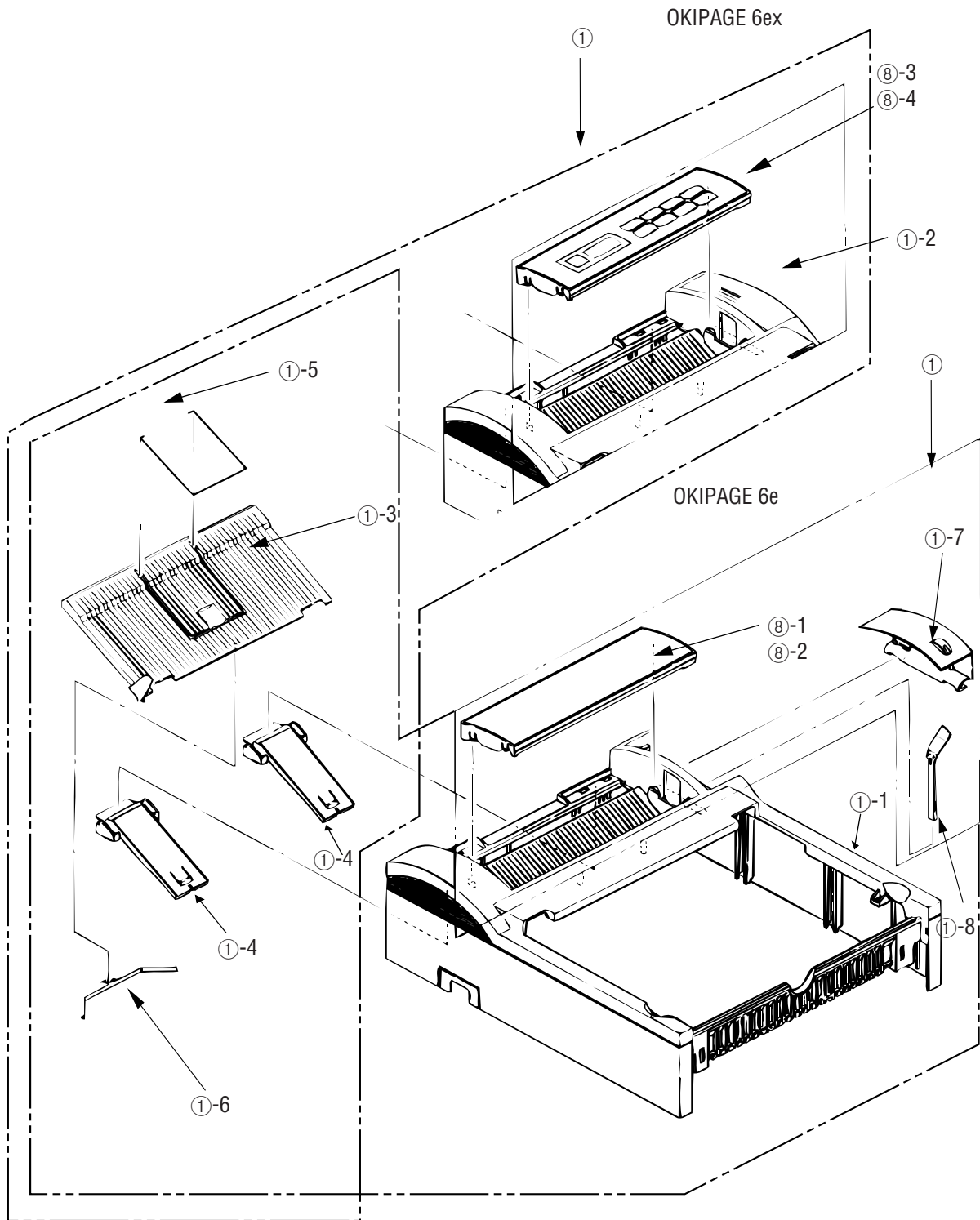


Figure 8-2 Upper cover unit

# Okipage 6e/6ex

Table 8-2 Upper cover unit

No.	Name/Rating	Part No.	USE		Remarks
			OP6e	OP6ex	
1	Upper cover Assy	3PA4128-1170G1	1	—	
		2PA4094-7812G4	—	1	
1-1	Upper cover	2PP4083-6808G1	1	—	
1-2	Upper cover	2PP4083-6808G2	—	1	
1-3	Stacker	1PP4094-7814P1	1	1	
1-4	Stacker clamp	3PP4094-7816P1	2	2	
1-5	Guide wire	4PB3517-1567P1	1	1	
1-6	Leaf spring	3PP3517-1601P1	1	1	
1-7	Lens cover	2PP4128-1171P1	1	—	
1-8	Lens frame	3PP4128-1172P1	1	—	
8-1	Cover-panel	40227401	1	—	ODA
8-2	Cover-panel	40227402	1	—	OEL/INT
8-3	OP panel assy	40111701	—	1	ODA
8-4	OP panel assy	40111702	—	1	OEL/INT

# Okipage 6e/6ex

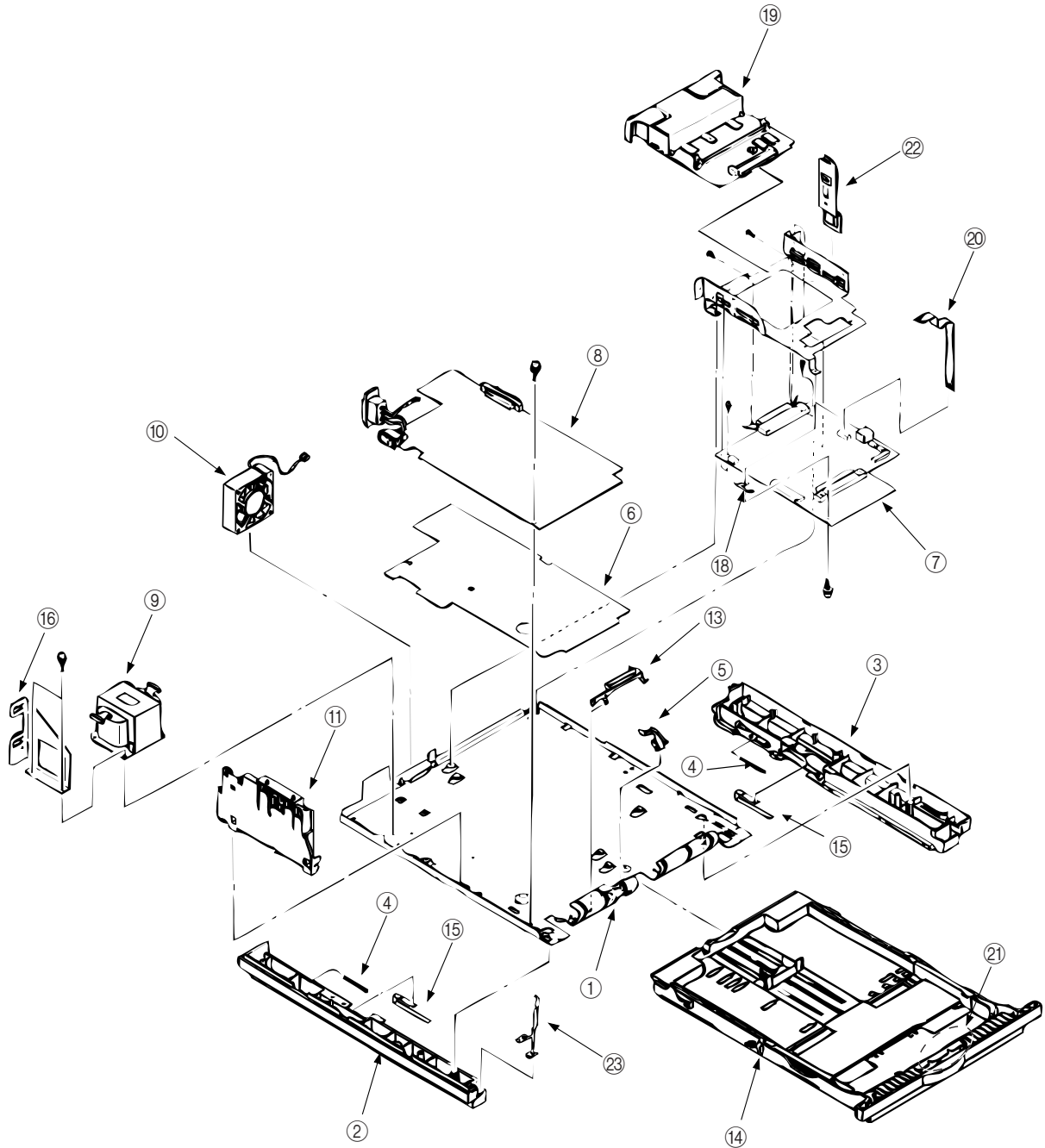


Figure 8-3 Base unit

# Okipage 6e/6ex

Table 8-3 Base unit

No.	Name/Rating	Part No.	USE		Remarks
			OP6e	OP6ex	
1	Base plate	2PP4083-6809G1	1	1	
2	Cassette guide L	3PP4083-6802G1	1	1	
3	Cassette guide R	3PP4083-6803G1	1	1	
4	Cassette eject spring	4PP4083-6152P1	2	2	
4	Sensor plate (paper end)	4PP4083-6082P1	1	1	
6	Insulator	3PB4083-6144P1	1	1	
7	Control board	40227002	1	—	L5C (ODA / OEL)
		<b>40131203</b>	—	<b>1</b>	<b>L6A</b>
		40423102	1	—	L5D (INT)
8	Power supply board	4YA4049-7101G1	1	1	120V
	Power supply board	4YA4049-7101G2	1	1	230V
9	Transformer	4YB4049-7032P3	1	1	120V
	Transformer	4YB4049-7033P3	1	1	230V
10	Fan motor	4PB4076-6152P1	1	1	
11	Contact assy	3PA4083-6090G1	1	1	
13	Cassette sensor plate	3PP4083-6154P1	1	1	
14	Paper cassette	4YA4083-6260G2	1	1	ODA (Option)
	Paper cassette	4YA4083-6260G3	1	1	OEL/INT (Option)
15	Support spring	4PP4083-6153P1	2	2	
16	Inlet holder	4PP4083-6145P1	1	1	
18	Ground plate	4PP4083-6137P1	1	1	
19	LQME-PCB (RAM board)	4YA4121-1058G11	1	1	Option
20	OP. Panel Cable Assembly	4YX4121-1035G2	—	1	ODA/OEL/INT
21	Separator assy (paper cassette)	3PP4083-5663G1	1	1	
22	Cable guide	4PP4083-6138P1	1	1	
23	Earth plate	4PP4083-6029P1	1	1	