

Okipage 810ex

8. PARTS LIST

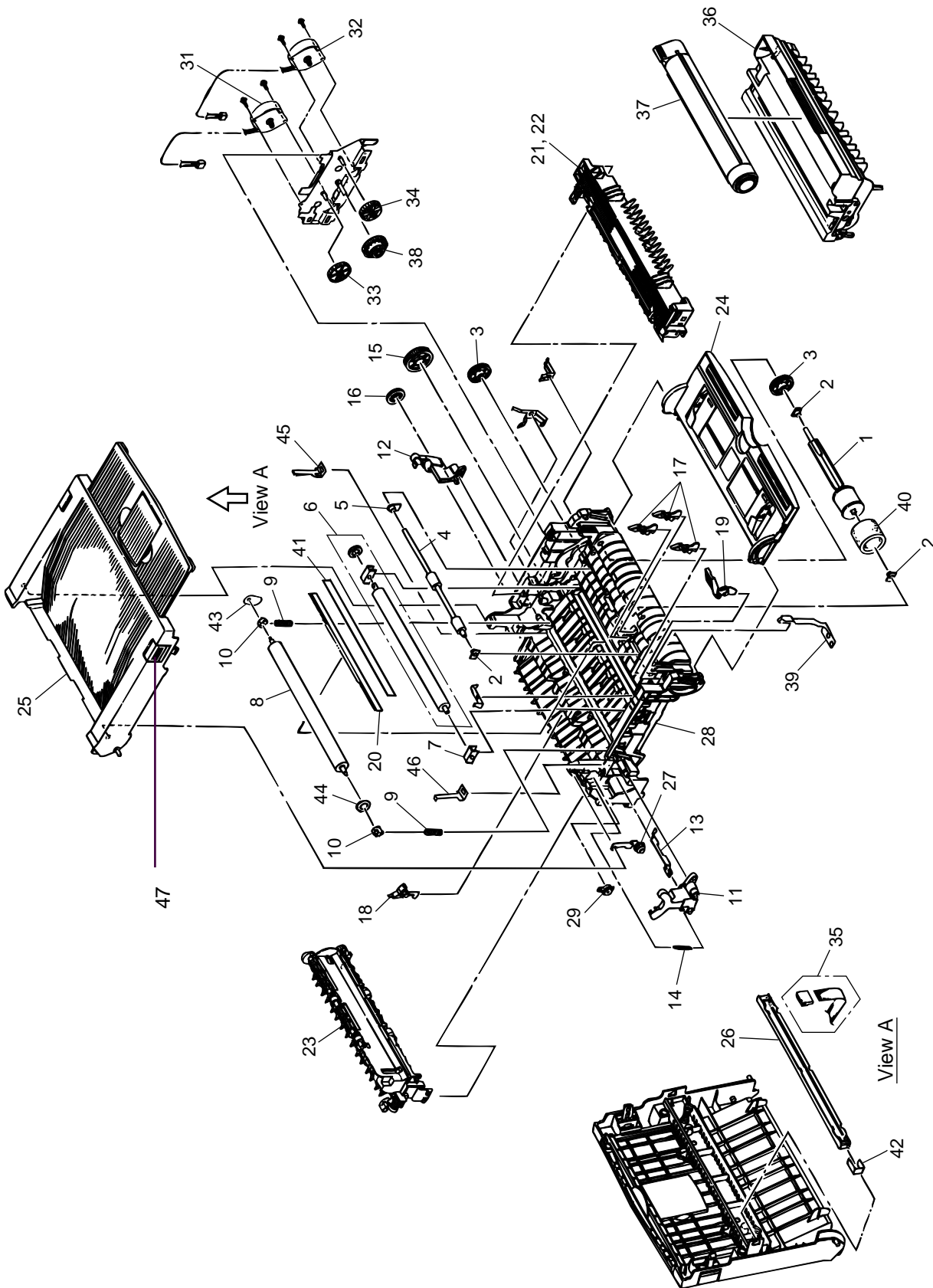


Figure 8-1 Lower Base Unit

Okipage 810ex

Table 8-1 Lower Base Unit (1/2)

No.	Name/Rating	Part No.	Use	Remarks	ODA Part No.
1	Hopping roller shaft	3PP4083-6020P001	1		51112601
2	Bearing	4PP4083-6022P002	4		51607402
3	Hopping roller one-way clutch gear	4PB4083-6024P001	2		51228901
4	Registration roller	3PB4083-6030P001	1		53342401
5	Bearing (registration)	4PP4083-6031P001	1		51607501
6	Roller-Transfer B Assy	3YB4083-7640P1	1		
7	Bearing TR	3PP4083-6290P1	1		
8	Back-up roller	3PB4083-6064P002	1		53343701
9	Bias spring	4PP4083-7620P001	2		50925301
10	Back-up roller bushing	4PP4083-6052P001	2		51607601
11	Reset lever L	3PP4083-6053P001	1		50805801
12	Reset lever R	3PP4083-6054P001	1		50805901
13	Cover open switch arm	3PP4083-6058P001	1		53068901
14	Stacker cover reset spring	4PP4083-6057P001	1		50924201
15	Fuser roller idle gear	4PP4083-6080P001	1		51229101
16	Eject roller idle gear	4PP4083-6081P001	1		51229201
17	Sensor plate (inlet)	4PP4083-6083P001	3		51010701
18	Sensor plate (outlet)	4PA4083-6025G001	1		51010801
19	Toner sensor (adhesion)	4PP4083-6086G001	1		50405501
20	Diselectrification bar	4PB4083-3182P3	1		
21	Heat Assy -	2YX4083-6100G5	1	120V	
22	Heat Assy -	2YX4083-6100G6	1	230V	
23	Eject roller assy	2PA4083-7680G001	1		53342801
24	Manual feed guide assy	2PA4128-1149G001	1		51011001
25	Stacker-Assy	2PA4128-1134G1	1		
26	LED head unit - 51K	4YA4116-1224G1	1		
27	Stacker cover damper arm	4PP4083-6191G001	1		53069101
28	Lower base	2PP4083-6801G002	1		50217601
29	Stacker cover damper	4PB4083-6197P001	1		51229401
30					
31	Motor Pulse (main)	4PB4083-7615P1	1		
32	Motor Pulse (regist)	4PB4083-7616P1	1		
33	Gear-Idle A (Z60/16)	3PP4083-7618P1	1		
34	Gear-Idle B (Z60/16)	3PP4083-7619P1	1		
35	Cord-LED Assembly	4YX4083-7668G1	1		
36	Image drum unit (Type 5)	N/A	1	ODA	
	Image drum unit (Type 5)	N/A	1	OEL/INT	
37	Toner Cartridge (Type 5)	N/A	1	Consumable(OEL/INT)	
38	Reduction gear	3PP4083-7617P001	1		

Okipage 810ex

Table 8-1 Lower Base Unit (2/2)

No.	Name/Rating	Part No.	Use	Remarks	ODA Part No.
39	FG plate (O.P.)	4PP4083-7663P001	1		
40	Hopping roller rubber	4PB4122-1280P001	1		
41	Diselectrification Film	3PB4083-6089P001	1		
42	Contact LED	4PP4083-6173P001	1		
43	Not applicable to 810ex		1		
44	Not applicable to 810ex		1		
45	Not applicable to 810ex		1		
46	Not applicable to 810ex		1		

47 Stacker Cover Knobs 3PP4128-1140P2 2

Okipage 810ex

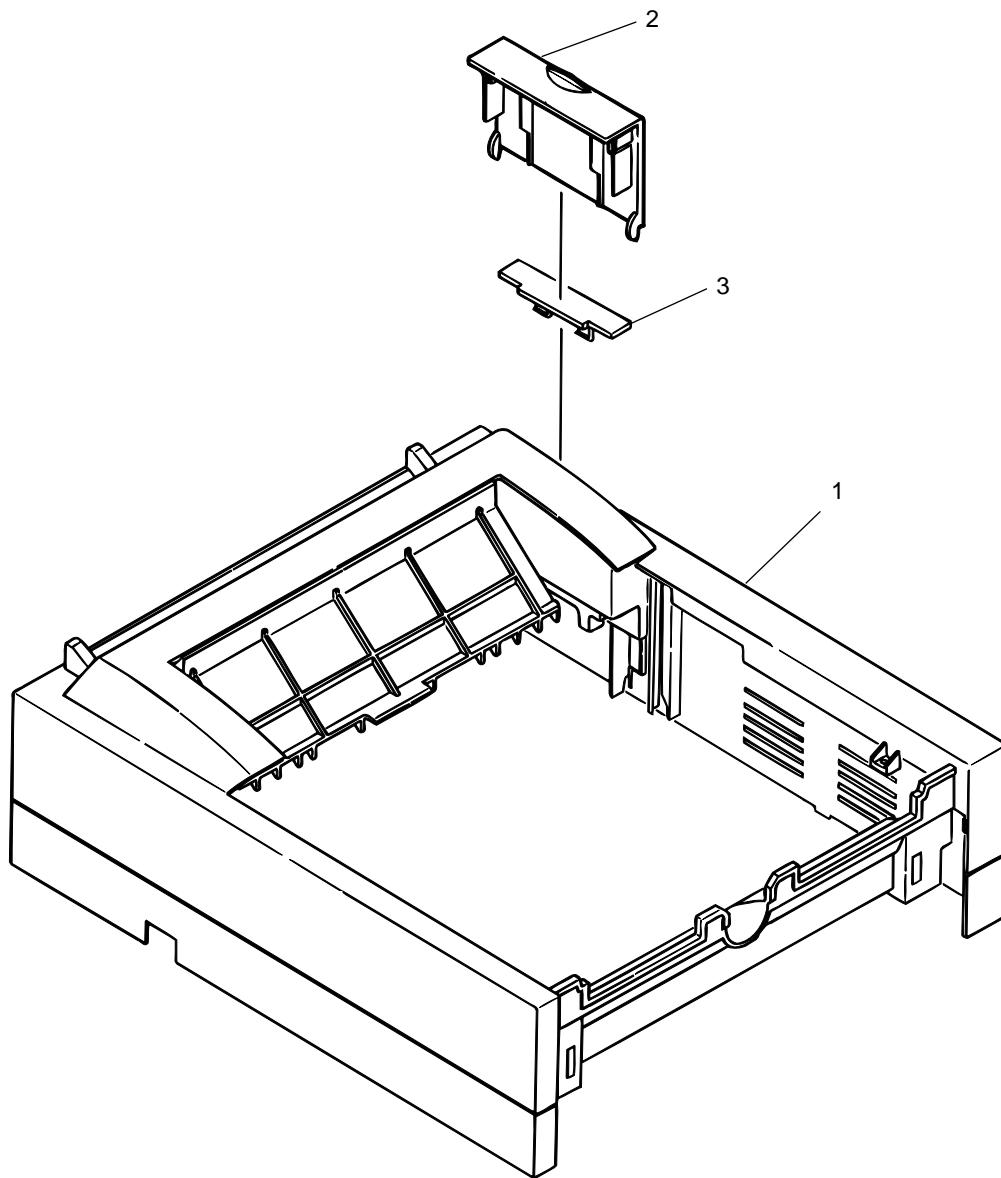


Figure 8-2 Upper cover unit

Okipage 810ex

Table 8-2 Upper cover unit

No.	Name/Rating	Part No.	Use	Remarks	ODA Part No.
1	Upper cover	1PP4128-1133P001	1		53070301
2	IC card cover	2PP4128-1155P001	1		53069301
3	Not applicable to 810ex		1		

Okipage 810ex

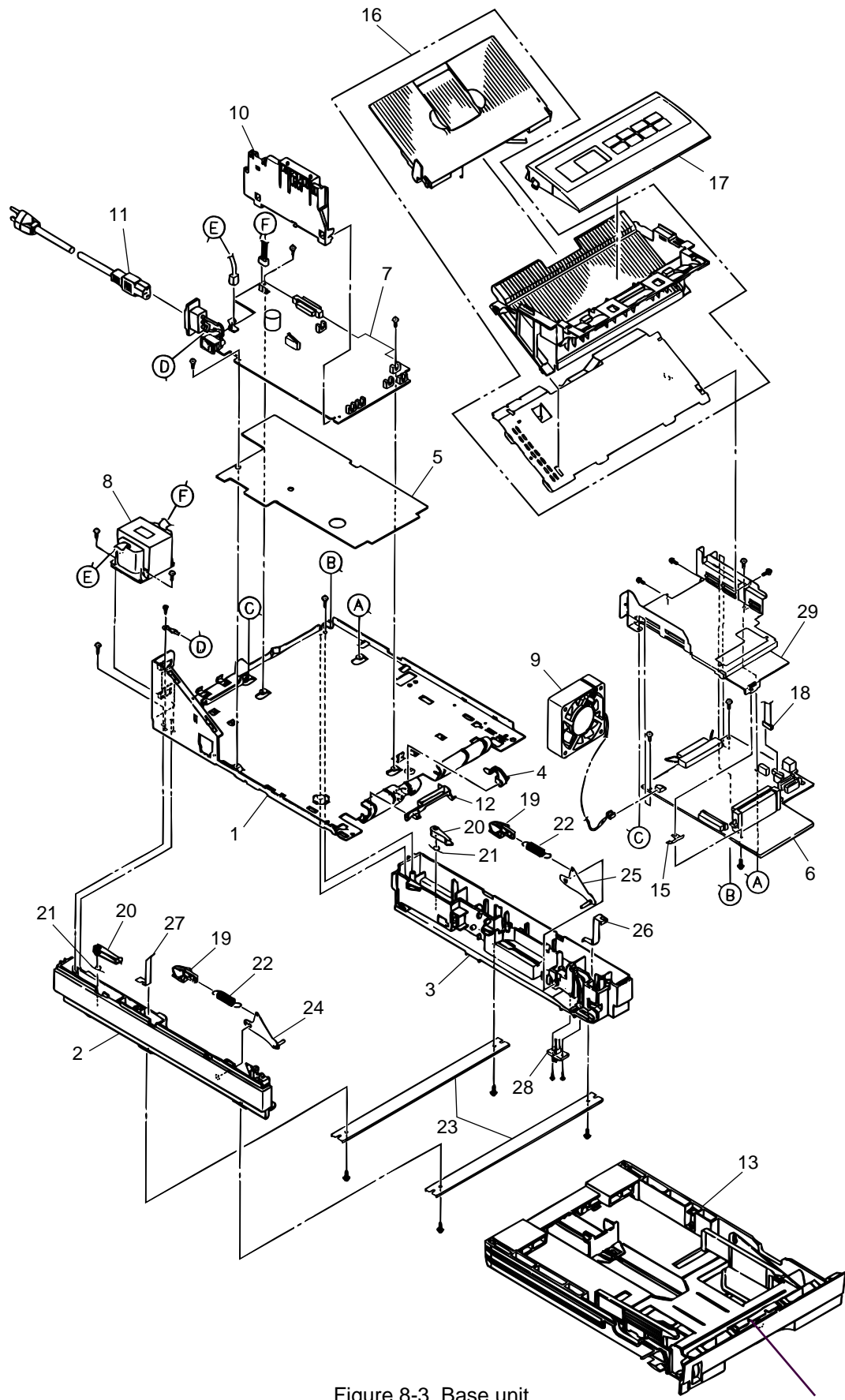


Figure 8-3 Base unit

13A

Okipage 810ex

Table 8-3 Base unit

No.	Name/Rating	Part No.	Use	Remarks	ODA Part No.
1	Base plate (adhension)	2PP4083-7672G001	1		51012901
2	Cassette guide (L) assy	3PP4083-7670G001	1		51011201
3	Cassette guide (R) assy	3PP4083-7671G001	1		51011301
4	Sensor plate (paper supply)	4PP4083-7667P001	1		51011401
5	Insulator	3PB4083-6144P001	1		51709401
6	Main control board (TQCBH-PCB)	4YA4046-1662G1	1		
7	Power Supply Unit	4YA4049-7100G1	1	120V	
	Power Supply Unit	4YA4049-7100G2	1	230V	
8	PWR Transformer	4YB4049-7082P1	1	120V	
	PWR Transformer	4YB4049-7083P1	1	230V	
9	Fan motor	270A2167P0001	1		56510801
10	Contact assy	3PA4083-6090G001	1		56730001
11	AC cord	3YS4011-1315P001	1	120V	56609701
	AC cord	3YS4011-1266P001	1	220~240V	56624301
12	Cassette sensor plate	3PP4083-6154P001	1		51011501
13	Cassette Assy-Paper	1PA4120-1162G1	1		
13A	Seperator Frame Assy	3PP4083-5663G1	1		
15	Earth plate	4PP4083-6137P001	1		51011601
16	Face up stacker cover assy	2PA4128-1143G001	1		50101301
17	OP Panel assy	N/A	1	ODA	
	OP Panel assy	4YA4083-7696G1	1	OEL/INT	
18	SUMI card assy (op panel)	4YX4046-1656G001	1	120V	
	SUMI card assy (op panel)	4YX4046-1656G002	1	230V	
19	Link pull block	4PP4122-1170P001	2		
20	Cassette lock lever	3PP4083-7653P001	2		
21	Cassette lock lever spring	4PP4083-7655P001	2		
22	Sheet spring	4PP4083-7666P001	2		
23	Beam	3PP4083-7660P001	2		
24	Sheet link L assy	4PP4083-7657G001	1		
25	Sheet link R assy	4PP4083-7658G001	1		
26	FG plate (2nd)	4PP4083-7662P001	1		
27	FG plate (bm)	4PP4083-7665P001	1		
28	Connector cord	3YS4111-3527P001	1		
29	Plate Guide-PCB	N/A	1		