

Okipage 8p-8w

8. PARTS LIST

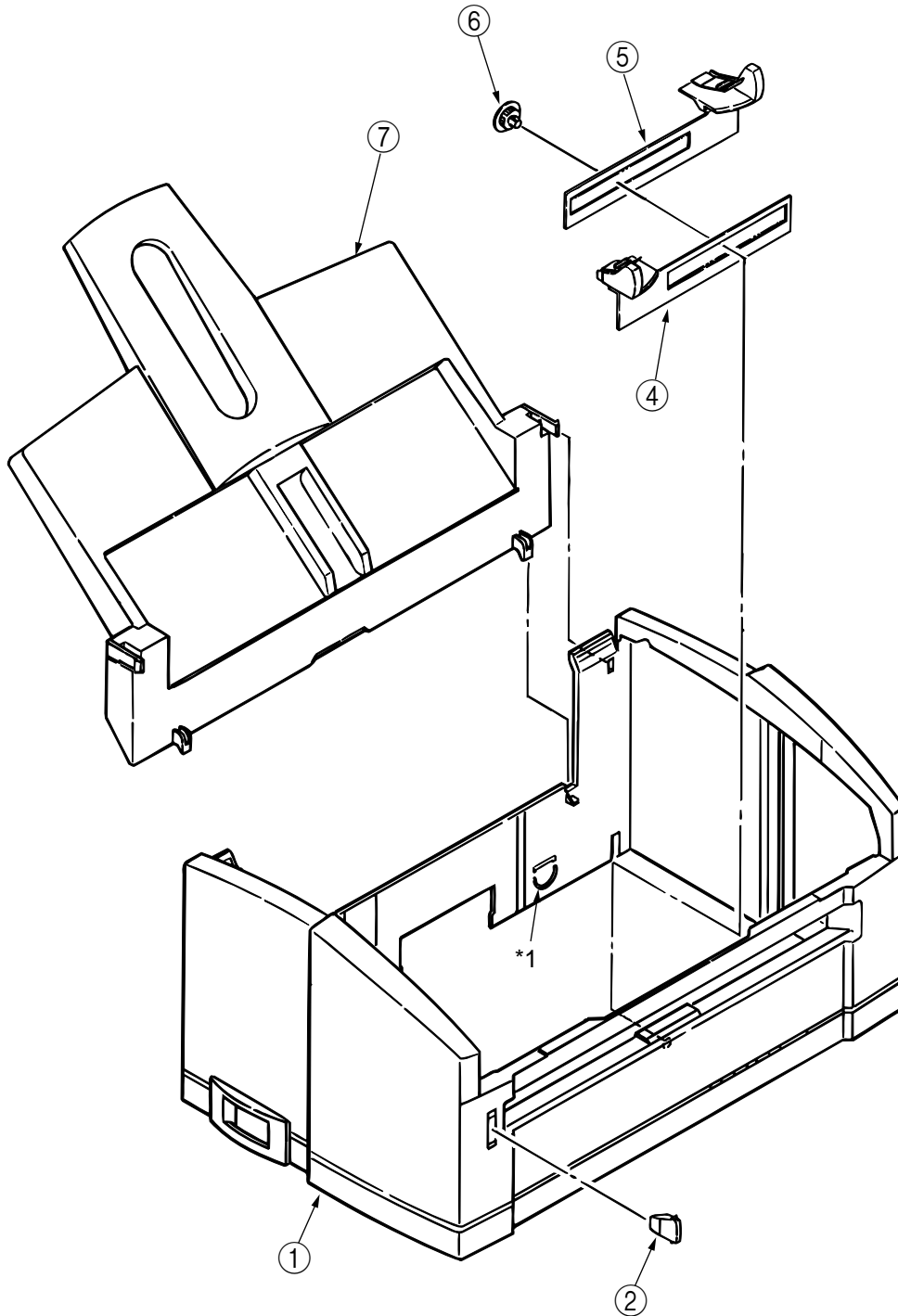


Figure 8-1 Cover Assy Upper

Okipage 8p-8w

Table 8-1 Cover Assy Upper

No.	Part Name	Part No.	Q'ty	Remarks
1	Cover-Upper 1	40412501	1	OKIPAGE 8p
	Cover-Upper 2	40412601	1	OKIPAGE 8w
2	Lens 1	40413101	1	OKIPAGE 8p
	Lens 2	40413201	1	OKIPAGE 8w
3	Switch	40413001	1	OKIPAGE 8p
4	Guide Side (L)	2PP4128-1256P1	1	
5	Guide Slide (R)	2PP4128-1257P1	1	
6	Gear Spur A	4PP4128-1260P1	1	
7	Plate-Hopper	40412901	1	

Okipage 8p-8w

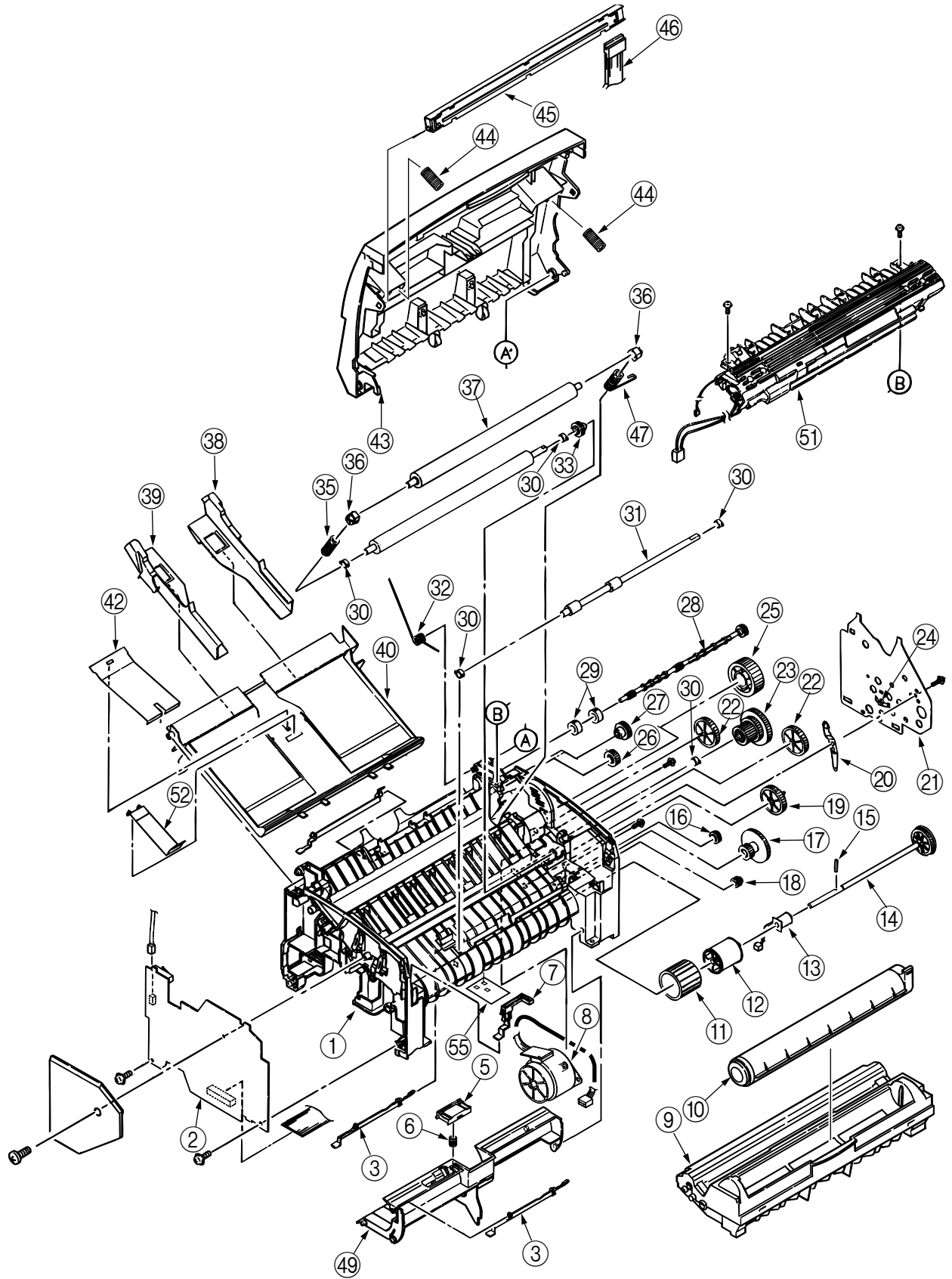


Figure 8-2 Base Frame Unit

Okipage 8p-8w

Table 8-2 Base Frame Unit

No.	Part Name	Part No.	Q'ty	Remarks
1	Frame Unit Assy	40593201	1	
2	High-Voltage Power Supply Board P2H	40607401	1	
3	Paper Sensor E	3PP4083-1191P1	2	
4				
5	Separator Assy	40721301	1	
6	Compression Spring S	4PP4083-1246P1	1	
7	Toner Sensor Assy	3PA4083-1193G1	1	
8	Pulse Motor	40496401	1	
9	Ep Unit (Type 6)	_____	1	Consumable
10	Toner Cartridge Unit (Type 6)	_____	1	Consumable
11	Hopping Roller	4PB4083-1129P1	1	
12	Roller Holder (Hopping Roller)	3PP4083-1128P1	1	
13	Magnet H (Hopping Shaft)	3PB4083-1127P1	1	
14	Hopping Shaft Assy	3PA4083-1133G1	1	
15	Knock Pin	NK2-10-SUS	1	
16	Idle Gear R	4PP4083-1143P1	1	
17	Idle Gear 2R	3PP4083-1184P1	1	
18	Gear R	3PP4083-1142P1	1	
19	Idle Gear M	3PP4083-1181P1	1	
20	Earth Plate A	3PP4083-1189P1	1	
21	Side Plate M	3PP4083-1188P1	1	
22	Idle Gear P	3PP4083-1182P1	2	
23	Idle Gear 3R	40721001	1	
24	Tension Plate	4PP4083-1165P1	1	
25	Idle Gear Heat	3PP4083-1185P1	1	
26	Idle Gear E (A)	4PP4083-1186P1	1	
27	Idle Gear E (B)	3PP4083-1187P1	1	
28	Drive Shaft E (Eject)	3PP4083-1170P1	1	
29	Eject Roller	40074601	2	
30	Regist Bearing	3PP4083-1141P1	5	
31	Regist Roller	3PB4083-1140P1	1	
32	Tension Spring	40654001	1	
33	Gear T	40737801	1	
34	Transfer Roller	40713601	1	

Okipage 8p-8w

No.	Part Name	Part No.	Q'ty	Remarks
35	Bias Spring (L) (Back Up Roller)	4PP4083-1136P1	1	
36	Bearing BU (Back Up Roller)	3PP4083-1161P1	2	
37	Pressure Roller B (Back Up Roller)	40594601	1	
38	Paper Guide (R)	40249501	1	
39	Paper Guide (L)	40249401	1	
40	Paper Holder	1PP4083-1231P1	1	
41	Paper Sensor Exit	3PP4083-1192P1	1	
42	Hopper Spring	4PP4083-1247P1	1	
43	Top Cover Assy	40592101	1	OKIPAGE 8p (OEL)
	Top Cover Assy	40592102	1	OKIPAGE 8w (OEL)
	Top Cover Assy	40592104	1	OKIPAGE 8w (ODA)
44	Head Spring	4PP4083-6168P1	2	
45	LED Head	40521101	1	
46	Flat Cable Assy	40591201	1	
47	Bias Spring (R) (Back Up Roller)	4PP4083-1137P1	1	
48				
49	Sheet Guide	40562401	1	
50				
51	Heat Assy	40592801	1	120V
	Heat Assy	40592802	1	230V
52	Stopper Spring	40034001	1	
53	Caution Label (TR)	4PB4091-6047P1	1	230V
54				
55	Film Guide	4PP4083-1139P1	1	
56				
57				
58	Bearing Gear	40634701	1	
59	Fan	40625401	1	
60	Contact CB	40638001	1	
61	CONN Cord HV	40638101	1	

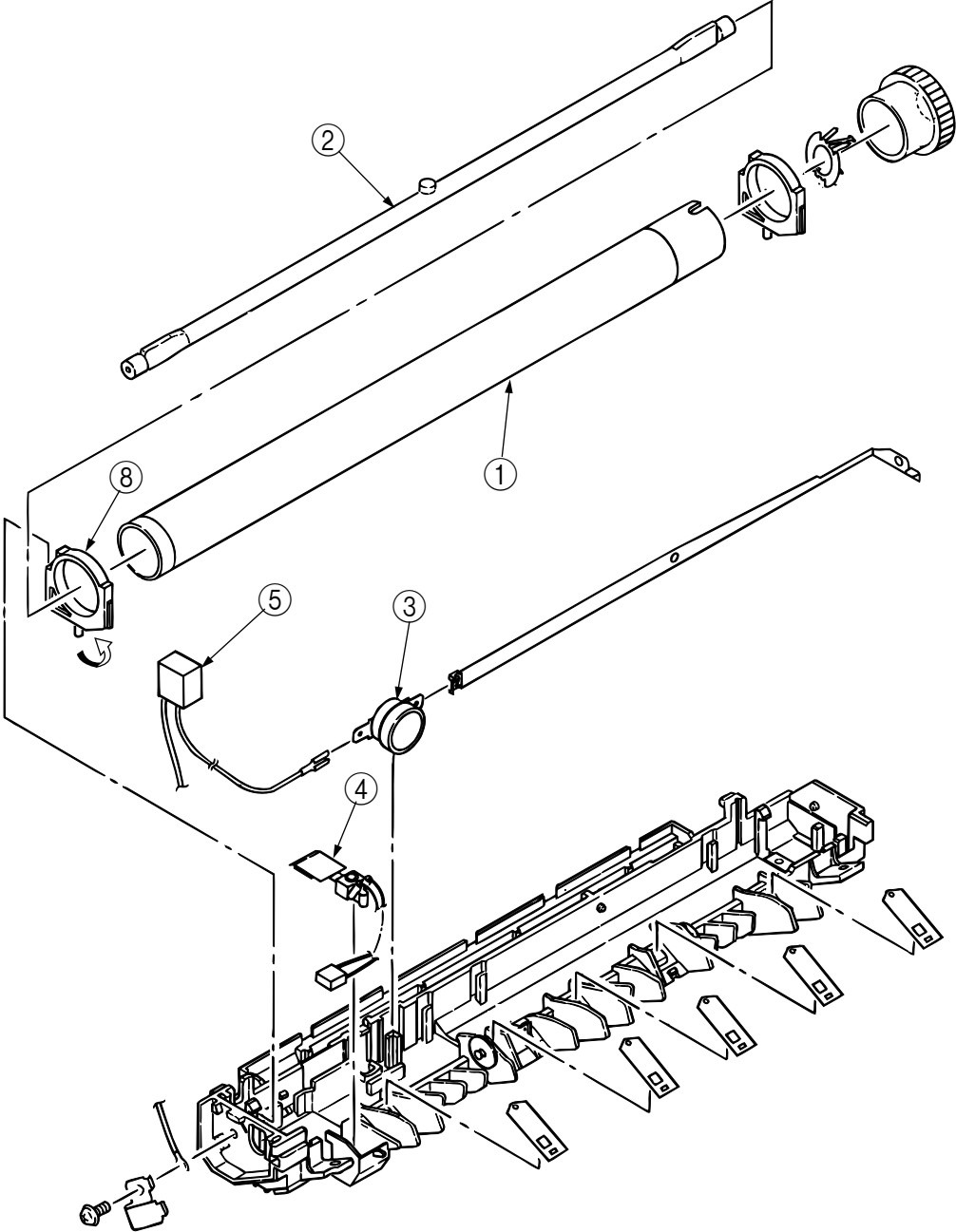


Figure 8-3 Heat Assy

Okipage 8p-8w

Table 8-3 Heat Assy

No.	Part Name	Part No.	Q'ty	Remarks
1	Heat Roller	3PB4083-1202P1	1	
2	Halogen Lamp	40649301	1	120V
	Halogen Lamp	40649302	1	230V
3	Thermostat	4PB4083-1204P1	1	
4	Thermistor	4PB4083-1205P1	1	
5	Heat Cord	4PB4083-1213P1	1	

Okipage 8p-8w

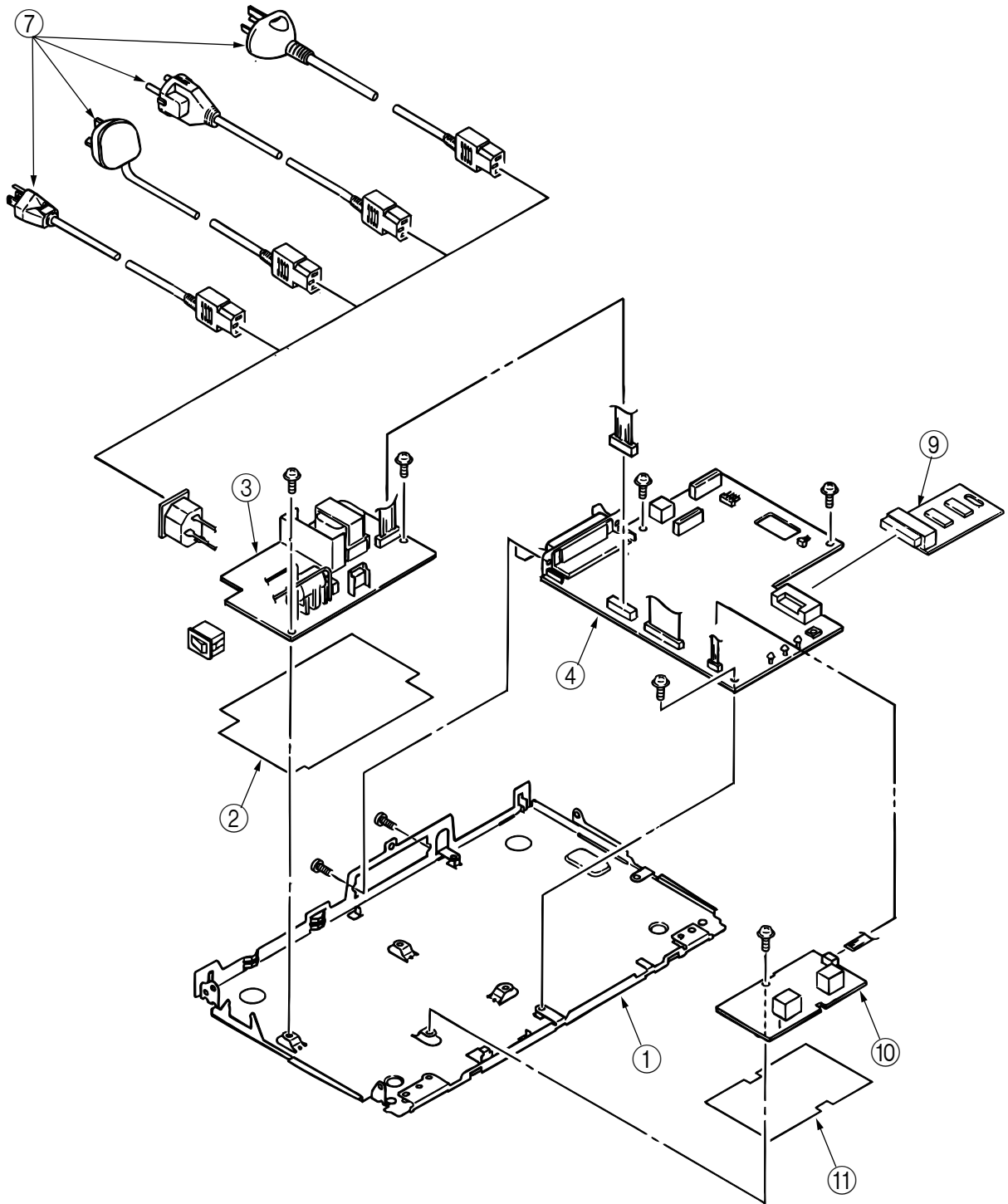


Figure 8-4-1 Base Plate Unit (OKIPAGE 8p)

Okipage 8p-8w

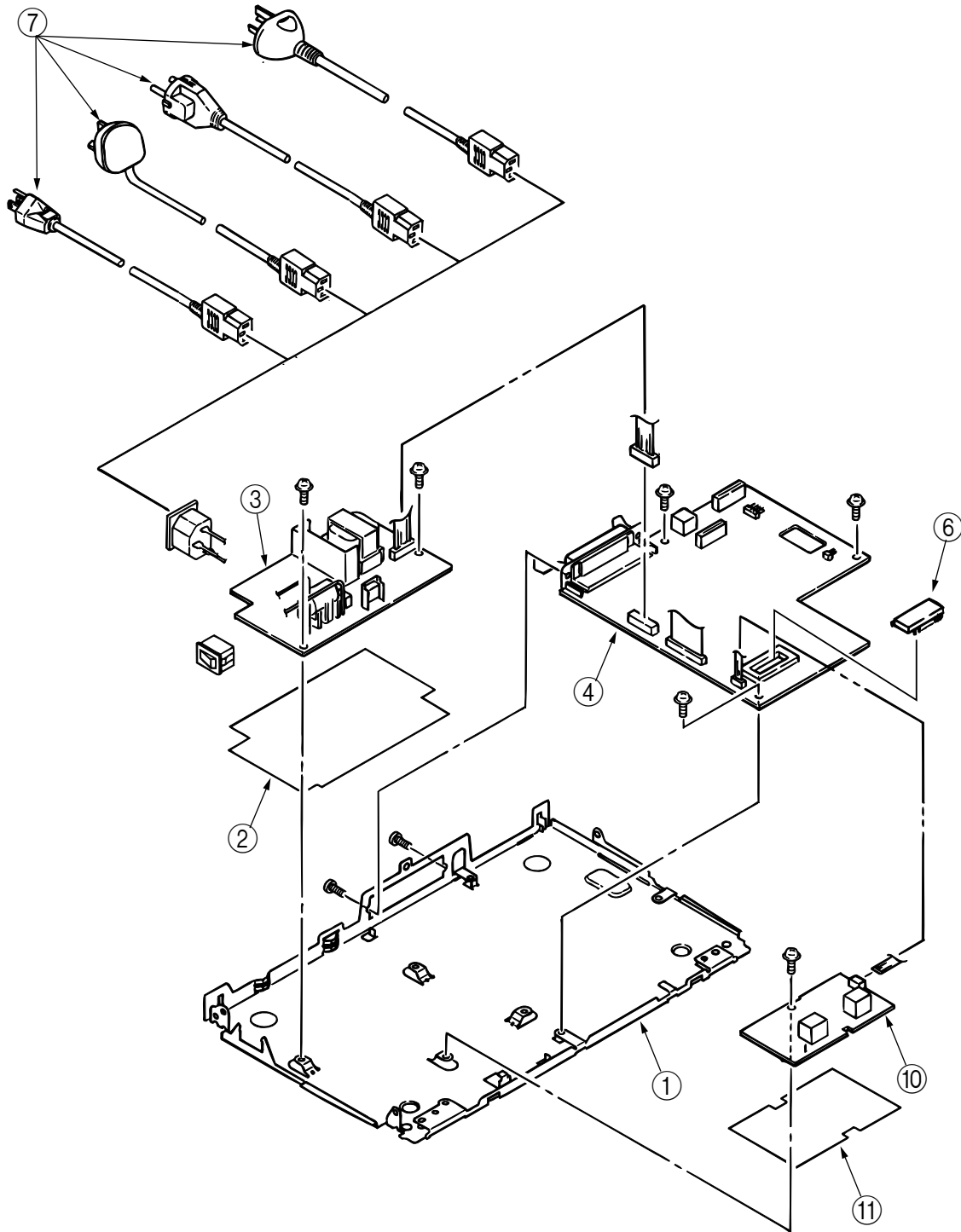


Figure 8-4-2 Base Plate Unit (OKIPAGE 8w)

Okipage 8p-8w

Table 8-4 Base Plate Unit

No.	Part Name	Part No.	Q'ty	Remarks
1	Base Plate Assy	40592201	1	
2	Insulation Sheet A	40722501	1	
3	Power Supply Unit	4YB4049-1853P1	1	120V
	Power Supply Unit	4YB4049-1854P1	1	230V
4	Main Control Board (HBY-)	40681602	1	For OP 8w
	Main Control Board (HBY-)	40433802	1	For OP 8p
5				
6	Program ROM	40681701	1	OP8w EPROM
7	AC Cord	3YS4011-1315P1	1	USA (TAIWAN)
	AC Cord	3YS4011-1266P1	1	Continental
	AC Cord	3YS4011-1270P1	1	U.K.
	AC Cord	40398702	1	Australia
8	Insulation Sheet B	40043001	1	
9	Option RAM Board	40559001	1	For OP 8p
10	High Voltage Power Supply Board P6L	40605601	1	
11	Insulation Sheet C	40593101	1	